

the **sensor** people

## Ultrasonic sensors



## **Contents:**

Ultrasonic sensors - Overview and advantages

Special features of the ultrasonic sensors

Sensor selection table

Ultrasonic sensor data sheets

# Ultrasonic sensors Overview and advantages

- Distance measurement using the ultrasonic principle
- Measurement ranges to 6000 mm

Distance information largely independent of surface properties

Outputs:

- 2 switching outputs
- analogue current output
- analogue voltage output

Operating principles:

- LSU models
- RKU models
- HRTU models with background suppression
- VRTU models with foreground and background suppression

Models HRTU 418M/V... and VRTU 430M/V... can be configured via PC software and programming terminal

Construction

- Series 8 cubic housing
- Series 18 cubic housing
- Cylindrical housing M18
- Cylindrical housing M30



# Special features of the ultrasonic sensors

## Series 8

- Throughbeam ultrasonic sensors
- Retro-reflective ultrasonic sensors
- Diffuse reflection ultrasonic scanners with background suppression
- Maximum operating range: 800mm
- PNP/NPN switching outputs
- M12 turning connector
- Protection class IP 67

## Series 418

- Diffuse reflection ultrasonic scanners with background suppression
- Maximum operating range: 1000mm
- PNP switching output
- Analogue current and voltage output (0 ... 20mA or 0 ... 10V)
- Configuration of sensor and output functions via PC
- M12 connector
- Protection class IP 65, IP 67

- ✓ **Advantage 1:** Ideal for detection of transparent objects and liquids
- ✓ **Advantage 2:** Detection largely independent of surface properties
- ✓ **Advantage 3:** Large detection range
- ✓ **Advantage 4:** Compact construction
- ✓ **Advantage 5:** Easy operation

- ✓ **Advantage 1:** Ideal for detection of transparent objects and liquids
- ✓ **Advantage 2:** Detection largely independent of surface properties
- ✓ **Advantage 3:** Large detection range
- ✓ **Advantage 4:** Compact construction
- ✓ **Advantage 5:** Beam direction either straight or 90°
- ✓ **Advantage 6:** Teachable switching output

### Series 430

- Diffuse reflection ultrasonic scanners with background suppression
- Maximum operating range: 6000mm
- PNP switching output
- Analogue current and voltage output (0 ... 20mA or 0 ... 10V)
- Configuration of sensor and output functions via PC
- M12 connector
- Protection class IP 65

### Series 430

- Diffuse reflection ultrasonic scanners with background suppression
- Maximum operating range: 6000mm
- PNP switching output
- Analogue current and voltage output (0 ... 20mA or 0 ... 10V)
- Configuration of sensor and output functions via PC
- M12 connector
- Protection class IP 65

- ✓ **Advantage 1:** Ideal for detection of transparent objects and liquids
- ✓ **Advantage 2:** Detection largely independent of surface properties
- ✓ **Advantage 3:** Large detection range
- ✓ **Advantage 4:** Flexible PC-configuration for adapting to the application
- ✓ **Advantage 5:** Temperature-compensated version
- ✓ **Advantage 6:** Synchronisation operation possible





- ✓ **Advantage 1:** Ideal for detection of transparent objects and liquids
- ✓ **Advantage 2:** Detection largely independent of surface properties
- ✓ **Advantage 3:** Large detection range
- ✓ **Advantage 4:** Flexible PC-configuration for adapting to the application
- ✓ **Advantage 5:** Temperature-compensated version
- ✓ **Advantage 6:** Synchronisation operation possible

## Series 18

- Throughbeam ultrasonic sensors
- Stainless steel housing
- Teflon coated transducer
- Maximum operating range: 650mm
- PNP/NPN switching outputs
- Stainless steel M12 connector
- Protection class IP 67 and IP 69K
- **ECOLAB** and *CleanProof+*

- ✓ **Advantage 1:** Ideal for the detection of transparent objects (e.g. PET bottles in the infeed area of fillers and rinsers)
- ✓ **Advantage 2:** Ideal for the detection of PET bottles in linear transportation systems
- ✓ **Advantage 3:** Highly resistant to interference caused by compressed air
- ✓ **Advantage 4:** Short response behaviour for the detection of minimal gaps
- ✓ **Advantage 5:** High chemical resistance acc. to *CleanProof+* (see data sheet)



Operating principle	Designation	Operating range	Housing		Measurement principle	Operating voltage		Switching			Output	
			Stainless steel	Metal		10 ... 30VDC	20 ... 30VDC	Analogue current output 4 ... 20mA	Analogue voltage output 0 ... 10V	2nd switching output	PNP transistor	NPN transistor
Throughbeam ultrasonic sensors, switching												
	LSU 8/24-S12	0 ... 800mm	•	•	•	•					•	•
	LSU 18/4.52-S12 <sup>1)</sup>	0 ... 500mm	•		•	•					•	•
	LSU 18/24-S12	0 ... 650mm		•	•	•				•	•	•
Retro-reflective ultrasonic sensors, switching												
	RKU 8/24-400-S12	0 ... 400mm		•	•		•				•	•
	RKU 418RM/P-5020-200-S12	0 ... 200mm		•	•		•				•	
	RKU 418WM/P-5020-200-S12	0 ... 200mm		•	•		•				•	
	RKU 418RM/P-3020-700-S12	0 ... 700mm		•	•		•				•	
	RKU 418WM/P-3020-700-S12	0 ... 700mm		•	•		•				•	
Diffuse reflection ultrasonic scanners, switching												
	HRTU 8/24-400-S12	50 ... 400mm		•	•		•				•	•
	HRTU 418RM/P-5020-200-S12	30 ... 200mm		•	•		•				•	
	HRTU 418WM/P-5020-200-S12	30 ... 200mm		•	•		•				•	
	HRTU 418RM/P-3020-700-S12	100 ... 700mm		•	•		•				•	
	HRTU 418WM/P-3020-700-S12	100 ... 700mm		•	•		•				•	
	HRTU 418RM/P-5220-400-S12	25 ... 400mm		•	•		•				•	
	HRTU 418WM/P-5220-400-S12	25 ... 400mm		•	•		•				•	
	HRTU 418M/P-5010-300-S12	50 ... 300mm		•	•		•				•	
	HRTU 418M/P-3010-1000-S12	150 ... 1000mm		•	•		•				•	
	HRTU 418RM/P-5220-700-S12	100 ... 700mm		•	•		•				•	
	HRTU 418WM/P-5220-700-S12	100 ... 700mm		•	•		•				•	
	VRTU 430M/P-5110-300-S12	60 ... 300mm		•	•		•			•	•	
	VRTU 430M/P-3110-1300-S12	200 ... 1300mm		•	•		•			•	•	
	VRTU 430M/P-2110-3000-S12	400 ... 3000mm		•	•		•			•	•	
	VRTU 430M/P-1110-6000-S12	600 ... 6000mm		•	•		•			•	•	
Diffuse reflection ultrasonic scanners, measuring												
	HRTU 418M/V-5010-300-S12	50 ... 300mm		•	•		•	•				
	HRTU 418M/V-5310-300-S12	50 ... 300mm		•	•		•		•			
	HRTU 418M/V-3010-1000-S12	150 ... 1000mm		•	•		•	•				
	HRTU 418M/V-3310-1000-S12	150 ... 1000mm		•	•		•		•			
	VRTU 430M/V-5710-300-S12	60 ... 300mm		•	•		•	•			•	
	VRTU 430M/V-5510-300-S12	60 ... 300mm		•	•		•		•		•	
	VRTU 430M/V-3710-1300-S12	200 ... 1300mm		•	•		•	•			•	
	VRTU 430M/V-3510-1300-S12	200 ... 1300mm		•	•		•		•		•	
	VRTU 430M/V-2710-3000-S12	400 ... 3000mm		•	•		•	•			•	
	VRTU 430M/V-2510-3000-S12	400 ... 3000mm		•	•		•		•		•	
VRTU 430M/V-1710-6000-S12	600 ... 6000mm		•	•		•	•			•		
1) Stainless steel housing and Teflon-coated transducer												



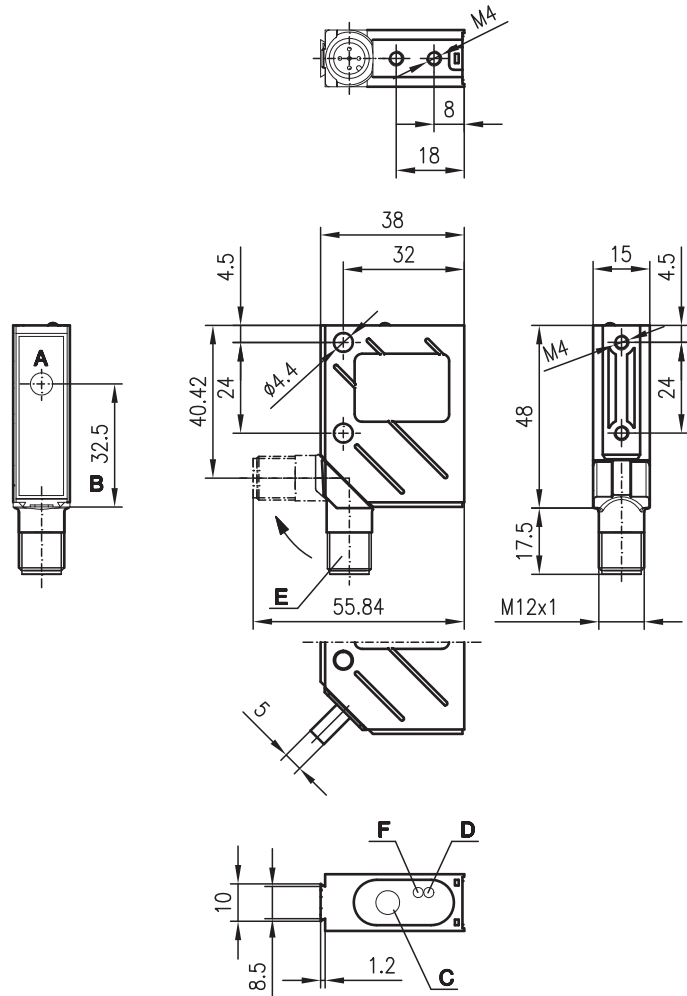
Connection	Switching frequency	Options								Page
		Teachable switching outputs	Configurable	Synchronisation input	Background suppression	Foreground suppression	Range adjustment	Transparent media	For use in wet environments	
M12 connector										
•	250 Hz	•			•		•	•		9
•	200 Hz							•	•	11
•	100 Hz						•	•		13
•	8 Hz	•		•				•		15
•	10 Hz	•						•		17
•	10 Hz	•						•		17
•	5 Hz	•						•		17
•	5 Hz	•						•		17
•	8 Hz	•		•	•			•		19
•	10 Hz	•			•			•		21
•	10 Hz	•			•			•		21
•	5 Hz	•			•			•		21
•	5 Hz	•			•			•		21
•	10 Hz	•			•			•		25
•	10 Hz	•			•			•		25
•	5 Hz		•	•	•		•	•		23
•	4 Hz		•	•	•		•	•		23
•	5 Hz	•			•			•		25
•	5 Hz	•			•			•		25
•	8 Hz		•	•	•	•	•	•		29
•	4 Hz		•	•	•	•	•	•		29
•	2 Hz		•	•	•	•	•	•		31
•	1 Hz		•	•	•	•	•	•		33
•	5 Hz		•	•	•		•	•		35
•	5 Hz		•	•	•		•	•		35
•	4 Hz		•	•	•		•	•		35
•	4 Hz		•	•	•		•	•		35
•	8 Hz		•	•	•	•	•	•		37
•	8 Hz		•	•	•	•	•	•		37
•	4 Hz		•	•	•	•	•	•		37
•	4 Hz		•	•	•	•	•	•		37
•	2 Hz		•	•	•	•	•	•		39
•	2 Hz		•	•	•	•	•	•		39
•	1 Hz		•	•	•	•	•	•		41

LSU 8

Throughbeam ultrasonic sensor



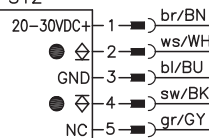
Dimensioned drawing



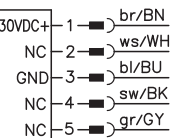
- A Converter
- B Ultrasonic axis
- C Step switch (receiver)
- D Green LED
- E 90° turning connector
- F Yellow LED

Electrical connection

LSEU 8/24-S12



LSSU 8-S12



0 ... 800 mm



- Colour and transmission independent detection of objects, even in wet and foggy environment
- Detection of narrow gaps
- Detection of fast moving objects
- Switching frequency 250Hz
- M12 turning connector



Accessories:

(available separately • see page 42)

- Mounting systems
- Cable with M12 connector (K-D ...)
- Control guard

We reserve the right to make changes • 8\_e06gb.fm

## Specifications

### Ultrasonic specifications

Operating range <sup>1)</sup>	0 ... 800mm
Adjustment range	0 ... 800mm in steps
Ultrasonic frequency	300kHz
Typ. opening angle	see diagrams
Temperature drift	± 0.17%/K, see remarks

### Timing

Switching frequency	max. 250Hz
Delay before start-up	2ms

### Electrical data

Operating voltage $U_B$	20 ... 30V DC (incl. ± 10% residual ripple)
Residual ripple	± 10% of $U_B$
Bias current	receiver ≤ 25mA, transmitter ≤ 35mA
Switching output	1 PNP and 1 NPN transistor
Function characteristics	object detected
Output current	max. 150mA
Switch positions	positions 1 ... 5, see Tables

### Indicators

Green LED	ready
Yellow LED	object detected

### Mechanical data

Housing	metal
Weight	70g each
Connection type	M12 connector, 5-pin (turning)

### Environmental data

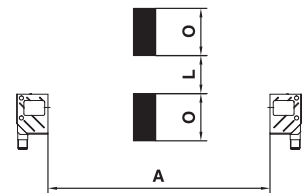
Ambient temp. (operation/storage)	0°C ... +70°C/-40°C ... +85°C
Protective circuit <sup>2)</sup>	1, 2, 3
VDE safety class	III
Protection class	IP 67
Standards applied	IEC 60947-5-2
Fitting position	any

- 1) For the complete temperature range, measured object ≥ 20x20mm  
 2) 1=short-circuit and overload protection, 2=polarity reversal protection (not for analogue inputs), 3=wire break and inductive protection

## Tables

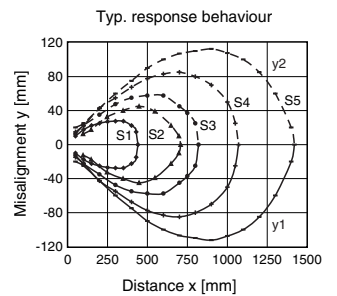
Switch position <sup>1)</sup>	Switching frequency [Hz]	Typical values <sup>1)</sup>		
		A <sub>max</sub> [mm]	O <sub>min</sub> [mm]	L <sub>min</sub> [mm]
1	250	200	10	2.5
2	200	350	15	3.0
3	150	500	25	5.0
4	100	650	30	5.0
5	50	800	60	3.5

1) Different adjustments may produce better values

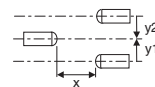


- O Object  
 L Gap  
 A Distance transmitter/receiver

## Diagrams



- S1 Switch position 1  
 S2 Switch position 2  
 S3 Switch position 3  
 S4 Switch position 4  
 S5 Switch position 5



## Order guide

	Designation	Part No.
<b>With M12 connector</b>	LSU 8/24-S12	
Transmitter	LSSU 8-S12	500 38914
Receiver	LSEU 8/24-S12	500 38915

## Remarks

- **Approved purpose:**  
The throughbeam ultrasonic sensors are ultrasonic sensors for acoustic, contactless detection of objects.
- **Temperature drift**  
± 0.17%/K

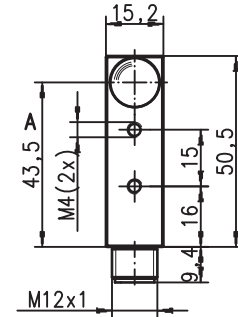
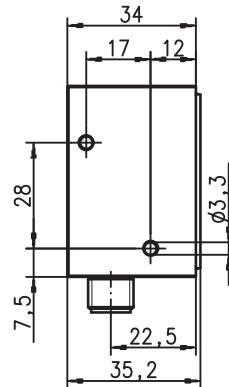
**LSU 18**

**Throughbeam ultrasonic sensor**

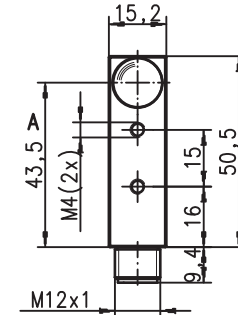
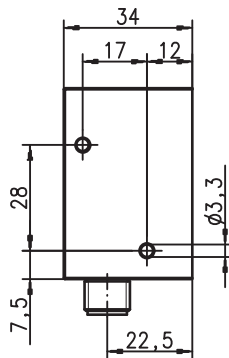


**Dimensioned drawing**

Transmitter



Receiver



A Centre of ultrasonic transducer

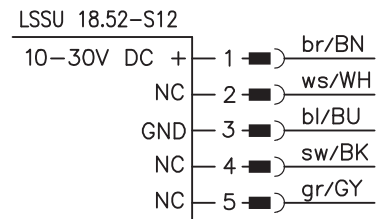
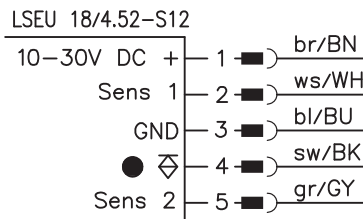


**0 ... 500 mm**



- Colour and transmission independent detection of objects, even in extremely wet environments
- Optimised for container entry
- Stainless steel housing
- Teflon coated ultrasonic transducer
- Insensitive to chemical cleaning agents
- Detection of narrow gaps
- Detection of fast moving objects

**Electrical connection**



**Accessories:**

(available separately • see page 42)

- Mounting systems
- Cable with M12 connector (K-D ...)



We reserve the right to make changes • 18\_e03gb.fm

## Specifications

### Ultrasonic specifications

Operating range	0 ... 500mm
Adjustment range	0 ... 500mm in steps, see Tables
Ultrasonic frequency	300kHz
Typ. opening angle	12°

### Timing

Switching frequency	200Hz
Delay before start-up	100ms

### Electrical data

Operating voltage $U_B$	10 ... 30V DC (incl. $\pm 10\%$ residual ripple)
Residual ripple	$\pm 10\%$ of $U_B$
Bias current	receiver $\leq 15$ mA, transmitter $\leq 35$ mA
Switching output	1 PNP transistor (dark switching)
Function characteristics	object detected
Output current	max. 150mA
Range adjustment	external, via Sens 1 and Sens 2, see Tables

### Mechanical data

Housing	stainless steel
Transducer	Teflon coated
Weight	90g each
Connection type	M12 connector, stainless steel, 5-pin with gold-plated contacts

### Environmental data

Ambient temp. (operation/storage)	0°C ... +70°C/-40°C ... +85°C
Protective circuit <sup>1)</sup>	1, 2, 3
VDE safety class	III
Protection class	IP 67, IP 69K
Environmentally tested acc. to	ECOLAB, CleanProof+
Standards applied	IEC 60947-5-2
Fitting position	any
Chemical resistance	tested in accordance with ECOLAB and CleanProof+ (see Chemical resistance)

### Options

Range adjustment	Sens 1 and Sens 2
Active/not active	$\geq 8V/\leq 2V$ or not connected
Input resistance	$R_{in}$ : 10k $\Omega$

1) 1=short-circuit and overload protection, 2=polarity reversal protection (not for analogue inputs), 3=wire break and inductive protection

### Chemical resistance

Product group	Product designation	Concentration	Temp.	Applic. time	
Foam cleaner	P3-topactive 200	4%	20°C	28 days	ECOLAB
Foam cleaner	P3-topax 19	5%	20°C	28 days	
Foam cleaner	P3-topax 56	5%	20°C	28 days	
Disinfection agent	P3-topax 91	3%	20°C	28 days	
Foam cleaner	P3-topactive 200	4%	50°C	21 days	CleanProof+
Disinfection agent	P3-topactive DES	3%	50°C	21 days	
Foam cleaner	P3-topax 52	5%	50°C	21 days	
Disinfection agent	P3-topax 66	5%	50°C	21 days	
Disinfection agent	P3-steril	1%	50°C	21 days	
Conveyor belt lubricant	P3-lupodrive	0.1%	50°C	21 days	
Disinfection agent	Hydrogen peroxide H <sub>2</sub> O <sub>2</sub>	6%	20°C	21 days	
Disinfection agent	Peracetic acid	1%	20°C	21 days	
Disinfection agent	Ethanol	70%	20°C	10 hours *	

\* corresponds to approx. 5000 wipe cycles at 10 sec. per cycle.

ECOLAB	Test procedure according to Ecolab F&E No. 40-1
CleanProof+	Leuze test procedure (based on Ecolab F&E No. 40-1)

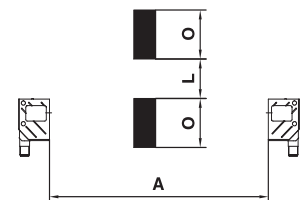
## Order guide

	Designation	Part No.
<b>Stainless steel housing with M12 connector</b>	LSU 18/4.52-S12	
Transmitter	LSSU 18.52-S12	501 08348
Receiver	LSEU 18/4.52-S12	501 08347

LSU 18/4.52-S12 - 02

## Tables

Pin 5 (Sens 2)	Pin 2 (Sens 1)	Switching frequency [Hz]	Typical values		
			A <sub>max</sub> [mm]	O <sub>min</sub> [mm]	L <sub>min</sub> [mm]
1	1	200	250	10	2
0	1	200	300	10	2
1	0	200	400	10	3
0	0	200	500	10	5



O Object  
L Gap  
A Distance transmitter/receiver

## Diagrams

### Remarks

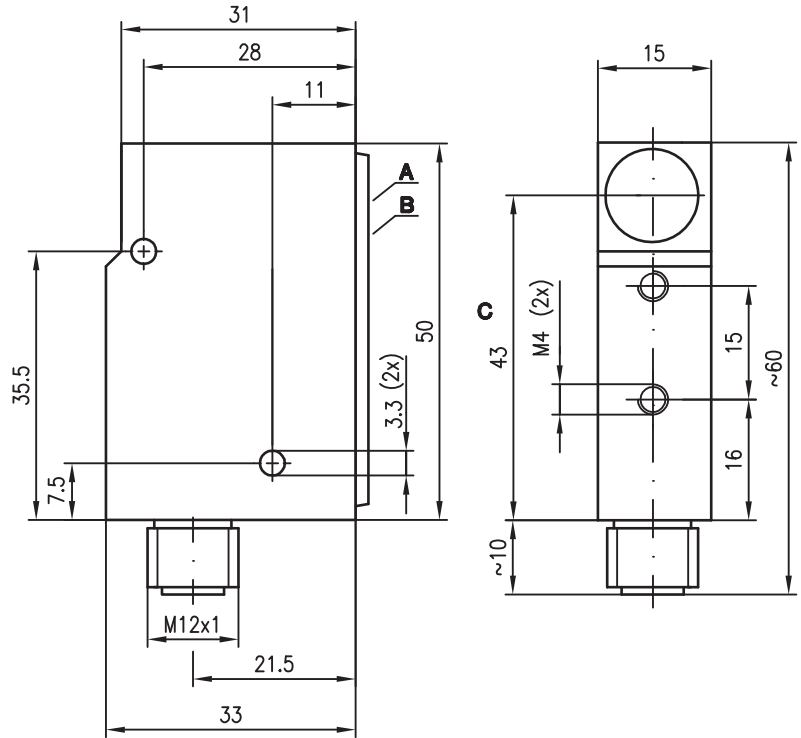
- **Approved purpose:**  
The throughbeam ultrasonic sensors are ultrasonic sensors for acoustic, contactless detection of objects.
- The response behaviour is dependent on the container shape.
- Direct spraying results in switching errors.
- Mount sensors in such a way that no drops can collect near the transducer.

**LSU 18**

**Throughbeam ultrasonic sensor**



**Dimensioned drawing**



**0 ... 650 mm**

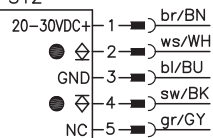


- Colour and transmission independent detection of objects, even in humid and foggy environment
- Optimised for air transport systems
- Metal housing
- Insensitive to dust
- Detection of narrow gaps

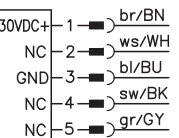
- A** Indicator diodes
- B** Sensitivity adjustment
- C** Centre of ultrasonic transducer

**Electrical connection**

LSEU 18/24-S12



LSSU 18-S12



**Accessories:**

(available separately • see page 42)

- Mounting systems
- Cable with M12 connector (K-D ...)

We reserve the right to make changes • 18\_e01gb.fm



## Specifications

### Ultrasonic specifications

Operating range <sup>1)</sup>	0 ... 650mm
Adjustment range	0 ... 650mm in steps
Ultrasonic frequency	300kHz
Typ. opening angle	12°

### Timing

Switching frequency	max. 100Hz
Delay before start-up	100ms

### Electrical data

Operating voltage $U_B$	10 ... 30V DC (incl. $\pm 10\%$ residual ripple)
Residual ripple	$\pm 10\%$ of $U_B$
Bias current	receiver $\leq 15$ mA, transmitter $\leq 35$ mA
Switching output	1 PNP and 1 NPN transistor
Function characteristics	object detected
Output current	max. 150mA
Switch positions	positions 1 ... 5, see Tables

### Indicators

Green LED	ready
Yellow LED	object detected

### Mechanical data

Housing	metal
Transducer	see remarks
Weight	70g each
Connection type	M12 connector, 5-pin

### Environmental data

Ambient temp. (operation/storage)	0°C ... +70°C/-40°C ... +85°C
Protective circuit <sup>2)</sup>	1, 2, 3
VDE safety class	III
Protection class	IP 65
Standards applied	IEC 60947-5-2
Fitting position	any

1) For the complete temperature range, measured object  $\geq 20 \times 20$ mm

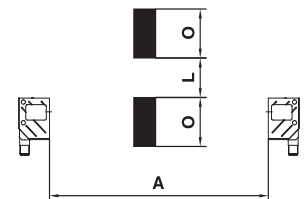
2) 1=short-circuit and overload protection, 2=polarity reversal protection (not for analogue inputs), 3=wire break and inductive protection

## Order guide

	Designation	Part No.
<b>With M12 connector</b>	LSU 18/24-S12	
Transmitter	LSSU 18-S12	501 03365
Receiver	LSEU 18/24-S12	501 03364

## Tables

Switch position	Switching frequency [Hz]	Typical values		
		$A_{max}$ [mm]	$O_{min}$ [mm]	$L_{min}$ [mm]
1	100	250	20	1
2	100	350	30	1
3	50	450	40	1
4	50	550	50	1
5	50	650	50	2



O Object  
L Gap  
A Distance transmitter/receiver

## Diagrams

## Remarks

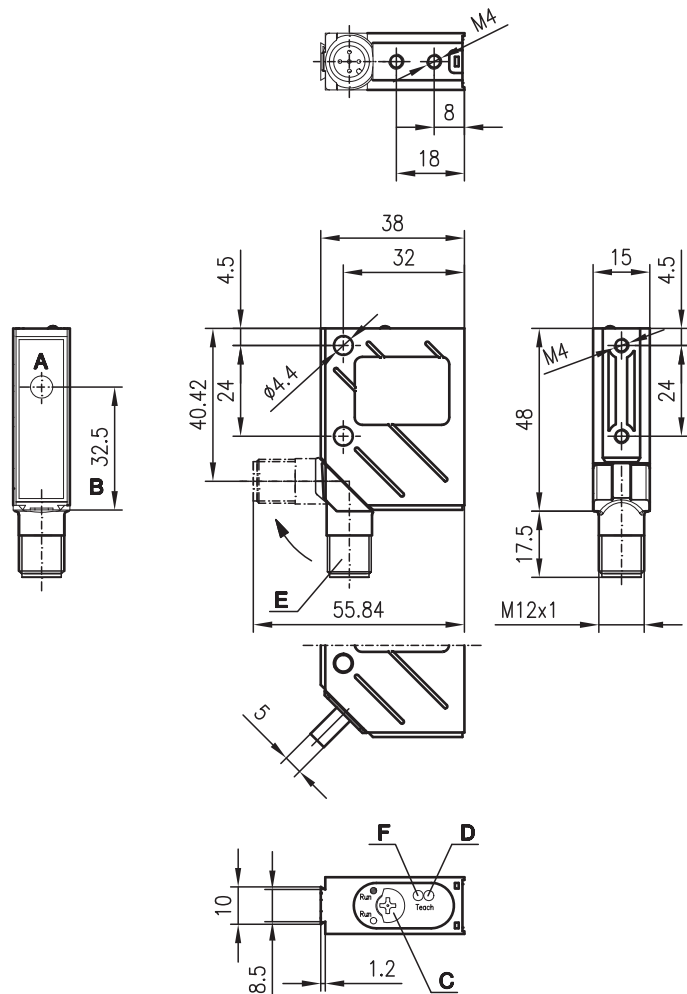
- **Approved purpose:**  
The throughbeam ultrasonic sensors are ultrasonic sensors for acoustic, contactless detection of objects.
- The response behaviour is dependent on the container shape.
- Not suitable for use in wet environments. Avoid cleaning with cleaning agents.

**RKU 8**

**Retro-reflective ultrasonic sensor**



**Dimensioned drawing**



- A** Converter
- B** Ultrasonic axis
- C** Operational control
- D** Green LED
- E** 90° turning connector
- F** Yellow LED

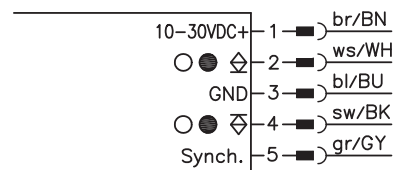


**0 ... 400mm**



- Colour and transmission independent detection of objects, even in wet and foggy environment
- Switching behaviour largely independent of surface properties
- Teach function for adjustment
- M12 turning connector

**Electrical connection**



**Accessories:**

(available separately • see page 42)

- Mounting systems
- Cable with M12 connector (K-D ...)
- Control guard

We reserve the right to make changes • 8\_e04gb.fm



## Specifications

### Ultrasonic specifications

Operating range <sup>1)</sup>	<b>RKU 8/24-400-S12</b> 0 ... 400mm
Adjustment range	160 ... 435mm
Dead zone	≤ 35mm
Ultrasonic frequency	300kHz
Typ. opening angle	see diagrams
Resolution	1 mm
Reproducibility	± 1 mm
Temperature drift	± 0.17%/K

### Timing

Switching frequency	8Hz
Delay before start-up	250ms

### Electrical data

Operating voltage $U_B$	20 ... 30V DC (incl. ± 10% residual ripple)
Residual ripple	± 10% of $U_B$
Bias current	≤ 25mA
Switching output	1 PNP and 1 NPN transistor
Function characteristics	reversible, object detected/not detected
Output current	max. 150mA

### Indicators

Green LED	ready
Flashing green LED	teaching in progress
Yellow LED	object detected
Flashing yellow LED	device or teach error

### Mechanical data

Housing	metal
Weight	70g
Connection type	M12 connector, 5-pin

### Environmental data

Ambient temp. (operation/storage)	-25°C ... +70°C/-40°C ... +85°C
Protective circuit <sup>2)</sup>	1, 2, 3
VDE safety class	III
Protection class	IP 67
Standards applied	IEC 60947-5-2
Fitting position	any

### Options

#### Synch. input

Sensor synchronisation	see remarks
Sensor active/not active	$U_B$ or not connected/0V
Activation delay	< 100ms

- 1) For the complete temperature range, measured object ≥ 20x20mm  
 2) 1=short-circuit and overload protection, 2=polarity reversal protection (not for analogue inputs), 3=wire break and inductive protection

## Teach process

	Operation	Green LED	Yellow LED
1.	Mount reflector at the desired distance (switching distance + dead zone)	ON	ON/OFF
2.	Put step switch in position "Teach"	-	-
3.	Wait for acknowledge signal	-	-
	"Teach-in was successful"	1 Hz	ON
	"Teach-in was not successful"	ON	1 Hz
4.	Put step switch in position "Run"	-	-
	Run ○ Output is active when object was detected	ON	ON
	Run ● Output is not active when object was detected	ON	OFF

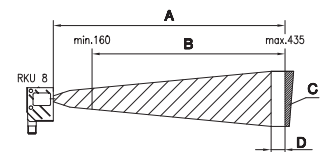
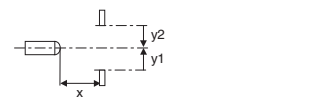
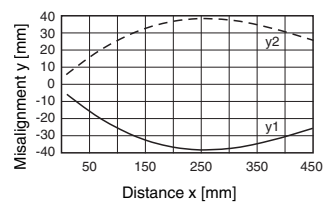
## Order guide

	<b>Designation</b>	<b>Part No.</b>
With 8Hz max. switching frequency	RKU 8/24-400-S12	500 38913

## Tables

## Diagrams

Typ. response behaviour (object 20x20mm)



- A Operating range
- B Adjustment range
- C Reflector
- D Dead zone

## Remarks

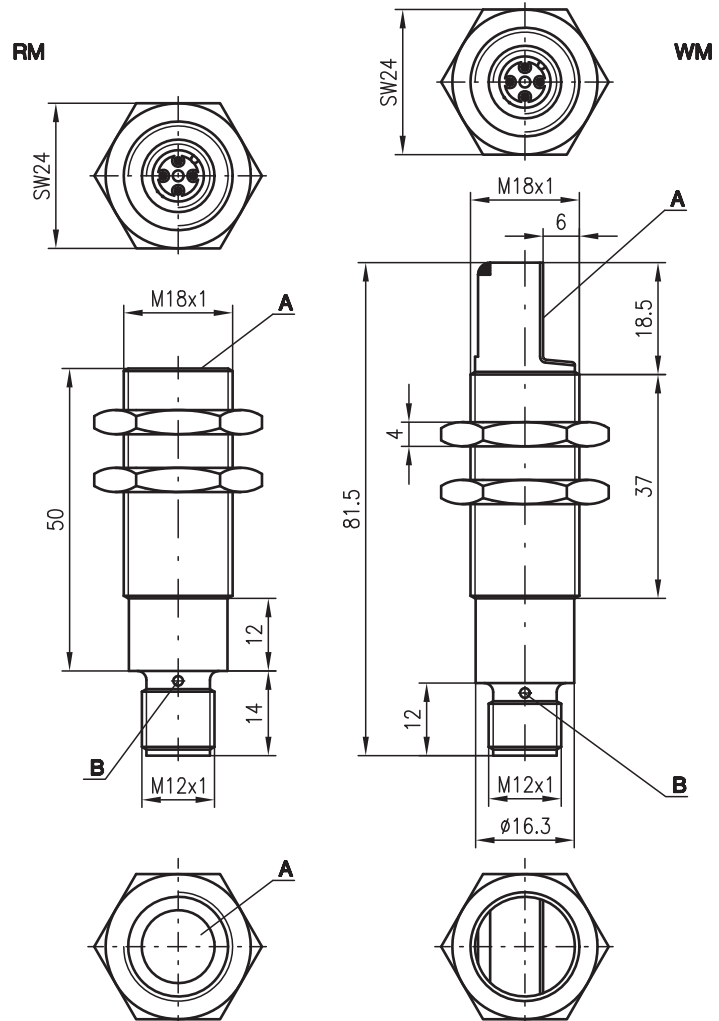
- **Approved purpose:**  
The retro-reflective ultrasonic sensors are ultrasonic sensors for acoustic, contactless detection of objects.
- **Synchronisation:**  
Max. 10 sensors may be synchronised by connecting the Synch inputs. Thus, mutual interference can be avoided.
- **Temperature drift**  
± 0.17%/K

**RKU 418 RM/WM**

**Retro-reflective ultrasonic sensor**



**Dimensioned drawing**



**A** Active surface  
**B** Indicator diode Q1

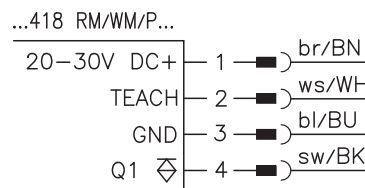


**0 ... 200 mm**  
**0 ... 700 mm**



- Colour and transmission independent detection of objects
- Switching behaviour largely independent of surface properties
- No dead zone
- Distance teachable
- Small construction

**Electrical connection**



**Accessories:**

(available separately • see page 42)

- Mounting systems
- Cable with M12 connector (K-D ...)

We reserve the right to make changes • USDS\_12gb.fm



**Specifications**

**Ultrasonic specifications**

Operating range <sup>1)</sup>  
Adjustment range  
Dead zone

Ultrasonic frequency  
Typ. opening angle  
Direction of beam

Temperature drift

**Timing**

Switching frequency  
Response time  
Delay before start-up

**Electrical data**

Operating voltage  $U_B$   
Residual ripple  
Bias current  
Switching output  
Function characteristics  
Output current  
Switching range adjustment

**Indicators**

Yellow LED  
Flashing yellow LED

**Mechanical data**

Housing  
Weight  
Connection type

**Environmental data**

Ambient temp. (operation/storage)  
Protective circuit <sup>2)</sup>  
VDE safety class  
Protection class  
Standards applied  
Fitting position

**RKU 418 ...-200-S12**

0 ... 200mm  
120 ... 220mm  
≤ 20mm in front of reflector surface  
400kHz  
see diagrams  
RKU 418RM/P...: straight,  
RKU 418WM/P...: angular, 90°  
± 0.17%/K

**RKU 418 ...-700-S12**

0 ... 700mm  
350 ... 750mm  
≤ 50mm in front of reflector surface  
200kHz

10Hz  
50ms  
20ms

5Hz  
100ms

20 ... 30V DC (incl. ± 10% residual ripple)  
± 10% of  $U_B$   
≤ 20mA  
PNP transistor  
switching in case of object recognition  
150mA  
teach-in, teach input (pin 2) connected to GND for ≥ 3s

output activated  
teaching procedure

metal / CuZn  
50g  
M12 connector, plastic, 4-pin

-25°C ... +70°C/-40°C ... +85°C  
1, 2, 3  
III  
IP 65  
IEC 60947-5-2  
any

1) For the complete temperature range, measured object ≥ 20x20mm  
2) 1=short-circuit and overload protection, 2=polarity reversal protection, 3=wire break and inductive protection

**Order guide**

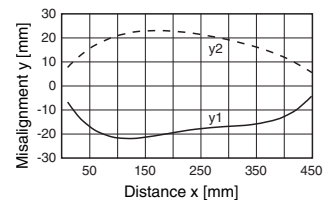
	Designation	Part No.
Range: 0 ... 200mm, direction of beam: straight	RKU 418RM/P-5020-200-S12	500 38637
Range: 0 ... 200mm, direction of beam: 90°	RKU 418WM/P-5020-200-S12	500 38638
Range: 0 ... 700mm, direction of beam: straight	RKU 418RM/P-3020-700-S12	500 38641
Range: 0 ... 700mm, direction of beam: 90°	RKU 418WM/P-3020-700-S12	500 38642

**Tables**

**Diagrams**

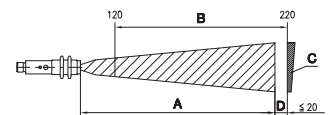
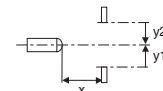
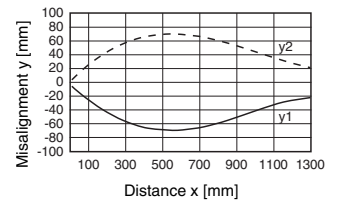
**RKU 418 ...-200-S12**

Typ. response behaviour (object 20x20mm)



**RKU 418 ...-700-S12**

Typ. response behaviour (object 20x20mm)



- A** Operating range
- B** Adjustment range
- C** Reflector
- D** Dead zone

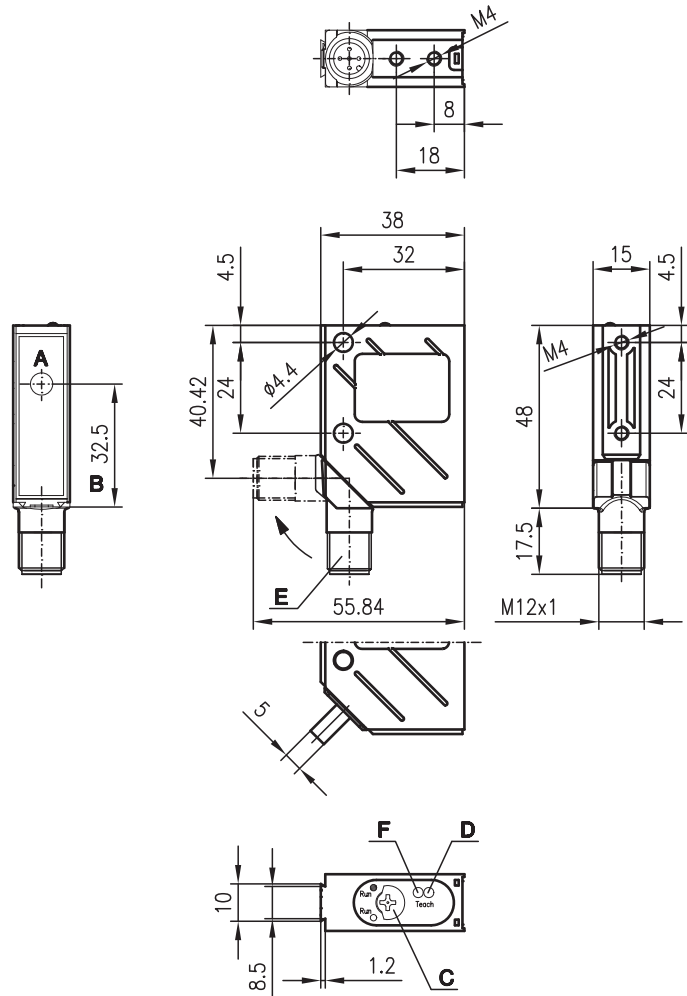
**Remarks**

- **Approved purpose:**  
The retro-reflective ultrasonic sensors are ultrasonic sensors for acoustic, contactless detection of objects.
- **Teaching procedure:**  
Position reflector at the desired switching distance. Connect teach input (pin 2) to GND for ≥ 3s. Reconnect teach input to + $U_B$  or leave unconnected; switching output is taught.
- **Temperature drift**  
± 0.17%/K

**HRTU 8 Diffuse reflection ultrasonic scanner with background suppression**

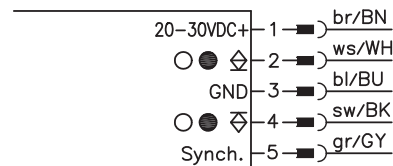


**Dimensioned drawing**



- A** Converter
- B** Ultrasonic axis
- C** Operational control
- D** Green LED
- E** 90° turning connector
- F** Yellow LED

**Electrical connection**



**50 ... 400mm**



- Colour and transmission independent detection of objects, even in wet and foggy environment
- Switching behaviour largely independent of surface properties
- Teach function for adjustment
- M12 turning connector



**Accessories:**

(available separately • see page 42)

- Mounting systems
- Cable with M12 connector (K-D ...)
- Control guard

We reserve the right to make changes • 8\_e05gb.fm

## Specifications

### Ultrasonic specifications

Operating range <sup>1)</sup>	50 ... 400mm
Adjustment range	60 ... 400mm
Ultrasonic frequency	300kHz
Typ. opening angle	see diagrams
Resolution	1 mm
Reproducibility	± 1 mm
Temperature drift	± 0.17%/K

### Timing

Switching frequency	8Hz
Delay before start-up	250ms

### Electrical data

Operating voltage $U_B$	20 ... 30V DC (incl. ± 10% residual ripple)
Residual ripple	± 10% of $U_B$
Bias current	≤ 25mA
Switching output	1 PNP and 1 NPN transistor
Function characteristics	reversible, object detected/not detected
Output current	max. 150mA

### Indicators

Green LED	ready
Flashing green LED	teaching in progress
Yellow LED	reversible, object detected/not detected
Flashing yellow LED	device or teach error

### Mechanical data

Housing	metal
Weight	70g
Connection type	M 12 connector, 5-pin

### Environmental data

Ambient temp. (operation/storage)	-25°C ... +70°C/-40°C ... +85°C
Protective circuit <sup>2)</sup>	1, 2, 3
VDE safety class	III
Protection class	IP 67
Standards applied	IEC 60947-5-2
Fitting position	any

### Options

<b>Synch. input</b>	
Sensor synchronisation	see remarks
Sensor active/not active	$U_B$ or not connected/0V
Activation delay	< 100ms

- 1) For the complete temperature range, measured object ≥ 20x20mm  
 2) 1=short-circuit and overload protection, 2=polarity reversal protection (not for analogue inputs), 3=wire break and inductive protection

## Teach process

	Operation	Green LED	Yellow LED
1.	Place object at desired distance	ON	ON/OFF
2.	Put step switch in position "Teach"	-	-
3.	Wait for acknowledge signal	-	-
	"Teach-in was successful"	1 Hz	ON
	"Teach-in was not successful"	ON	1 Hz
4.	Put step switch in position "Run"	-	-
	Run ○ Output and yellow LED are not active when object was detected	ON	OFF
	Run ● Output and yellow LED are active when object was detected	ON	ON

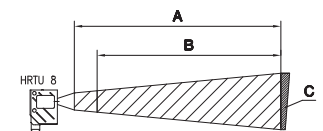
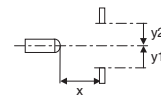
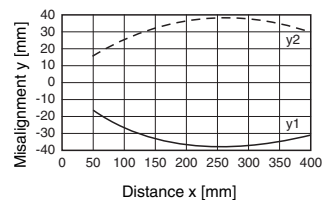
## Order guide

<b>Designation</b>	<b>Part No.</b>
HRTU 8/24-400-S12	500 38912

## Tables

## Diagrams

Typ. response behaviour (object 20x20mm)



- A Operating range
- B Adjustment range
- C Object

## Remarks

- **Approved purpose:**  
The diffuse reflection ultrasonic scanners are ultrasonic sensors for acoustic, contactless detection of objects.
- **Synchronisation:**  
Max. 10 sensors may be synchronised by connecting the Synch inputs. Thus, mutual interference can be avoided.
- **Temperature drift**  
± 0.17%/K

**HRTU 418 RM/WM**

**Ultrasonic sensors**

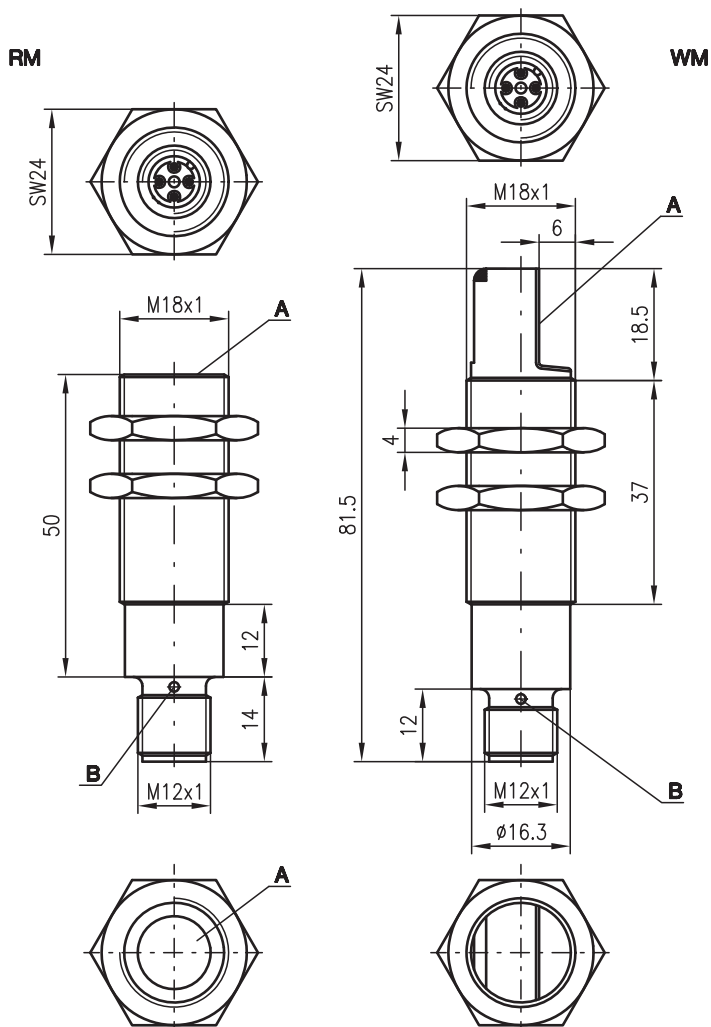


**30 ... 200mm**  
**100 ... 700mm**



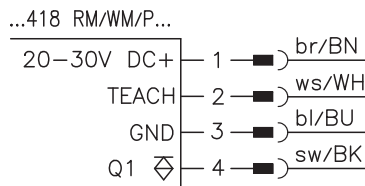
- Colour and transmission independent detection of objects
- Switching behaviour largely independent of surface properties
- Distance teachable
- Small construction

**Dimensioned drawing**



- A** Active surface
- B** Indicator diode Q1

**Electrical connection**



**Accessories:**

(available separately • see page 42)

- Mounting systems
- Cable with M12 connector (K-D ...)

We reserve the right to make changes • USDS\_10gb.fm

**Specifications**

**Ultrasonic specifications**

Operating range <sup>1)</sup>  
 Adjustment range  
 Ultrasonic frequency  
 Typ. opening angle  
 Resolution  
 Direction of beam

**HRTU 418...-200-S12**

30 ... 200mm  
 50 ... 200mm  
 400kHz  
 see diagrams

**HRTU 418...-700-S12**

100 ... 700mm  
 150 ... 700mm  
 200kHz

Reproducibility  
 Switching hysteresis  
 Temperature drift

HRTU 418RM/P...: straight,  
 HRTU 418WM/P...: angular, 90°  
 ± 1mm  
 10mm  
 ± 0.17%/K

**Timing**

Switching frequency  
 Response time  
 Delay before start-up

10Hz  
 50ms  
 20ms

5Hz  
 100ms

**Electrical data**

Operating voltage  $U_B$   
 Residual ripple  
 Bias current  
 Switching output  
 Function characteristics  
 Output current  
 Switching range adjustment

20 ... 30V DC (incl. ± 10% residual ripple)  
 ± 10% of  $U_B$   
 ≤ 20mA  
 PNP transistor  
 switching in case of object recognition  
 150mA  
 teach-in, teach input (pin 2) connected to GND for ≥ 3s

**Indicators**

Yellow LED  
 Flashing yellow LED

output activated  
 teaching procedure

**Mechanical data**

Housing  
 Weight  
 Connection type

metal / CuZn  
 50g  
 M 12 connector, plastic, 4-pin

**Environmental data**

Ambient temp. (operation/storage)  
 Protective circuit <sup>2)</sup>  
 VDE safety class  
 Protection class  
 Standards applied  
 Fitting position

-25°C ... +70°C/-40°C ... +85°C  
 1, 2, 3  
 III  
 IP 65  
 IEC 60947-5-2  
 any

1) For the complete temperature range, measured object ≥ 20x20mm  
 2) 1=short-circuit and overload protection, 2=polarity reversal protection, 3=wire break and inductive protection

**Order guide**

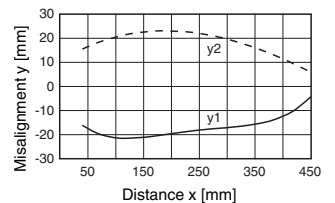
	<b>Designation</b>	<b>Part No.</b>
Operating range: 30 ... 200mm, direction of beam: straight	HRTU 418RM/P-5020-200-S12	500 38635
Operating range: 30 ... 200mm, direction of beam: 90°	HRTU 418WM/P-5020-200-S12	500 38636
Operating range: 100 ... 700mm, direction of beam: straight	HRTU 418RM/P-3020-700-S12	500 38639
Operating range: 100 ... 700mm, direction of beam: 90°	HRTU 418WM/P-3020-700-S12	500 38640

**Tables**

**Diagrams**

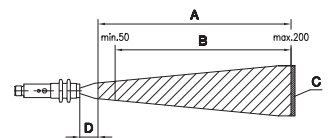
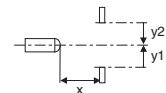
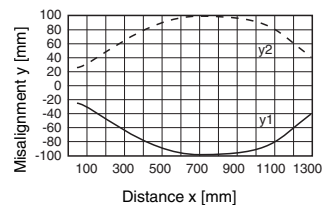
**HRTU 418 ...-200-S12**

Typ. response behaviour (object 20x20mm)



**HRTU 418 ...-700-S12**

Typ. response behaviour (object 20x20mm)



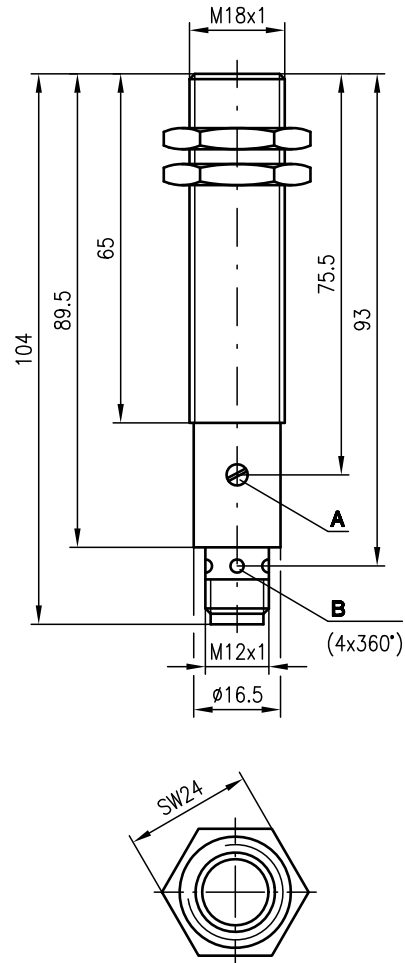
- A** Operating range
- B** Adjustment range
- C** Object
- D** Dead zone

**Remarks**

- **Approved purpose:**  
The ultrasonic sensors are used for acoustic, contactless detection of objects.
- **Teaching procedure:**  
Position measured object at the desired measurement distance. Connect teach input (pin 2) to GND for ≥ 3s. Reconnect teach input to + $U_B$  or leave unconnected; switching output is taught.
- **Temperature drift**  
± 0.17%/K

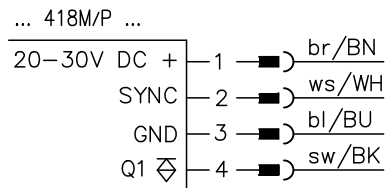


**Dimensioned drawing**



- A** End of switching range (only for ... 418M/P ...)
- B** Indicator diodes Q1

**Electrical connection**



**50 ... 300mm**  
**150 ... 1000mm**



- Ideal for detection of levels of liquids, bulk materials, transparent media, ...
- Distance information largely independent of surface properties
- PC-configuration software for configuring sensor and switching output
- Up to 10 devices can be synchronised via the SYNC input
- Start and end of switching range adjustable separately via PC



**Accessories:**

(available separately • see page 42)

- Mounting systems
- Cable with M12 connector (K-D ...)
- "USDS-Config" configuration software (free download from [www.leuze.com](http://www.leuze.com))
- PGU 01 (programming unit)

We reserve the right to make changes • USDS\_01gb.fm



## Specifications

### Ultrasonic specifications

	HRTU...-5010-300...	HRTU...-3010-1000...
Operating range <sup>1)</sup>	50 ... 300mm	150 ... 1000mm
Ultrasonic frequency	400kHz	200kHz
Opening angle	6°	
Resolution	1 mm	
Absolute measurement accuracy	± 2.5% of the measurement range end value	
Reproducibility	± 1mm	± 2mm
Switching hysteresis	10mm	10mm

### Timing

	5Hz	4Hz
Switching frequency (min.) <sup>2)</sup>	5Hz	4Hz
Response time (max.) <sup>2)</sup>	100ms	120ms
Delay before start-up	280ms	280ms

### Electrical data

Operating voltage $U_B$	20 ... 30V DC (incl. ± 10% residual ripple)
Residual ripple	± 10% of $U_B$
Bias current	≤ 60mA
Switching output	PNP transistor
Function characteristics	switching in case of object recognition
Output current	150mA
Switching range adjustment	potentiometer 270°

### Indicators

Yellow LED	output activated
------------	------------------

### Mechanical data

Housing	metal / CuZn
Weight	50g
Connection type	M 12 connector, plastic, 4-pin

### Environmental data

Ambient temp. (operation/storage)	-25°C ... +70°C/-40°C ... +85°C
Protective circuit <sup>3)</sup>	1, 2, 3
VDE safety class	III
Protection class	IP 67
Standards applied	IEC 60947-5-2
Fitting position	any

1) For the complete temperature range, measured object ≥ 10x10mm

2) Can be configured up to 3 times faster using "USDS-Config"

3) 1=short-circuit and overload protection, 2=polarity reversal protection, 3=wire break and inductive protection

## Remarks

### ● Approved purpose:

The ultrasonic sensors are used for acoustic, contactless detection of objects.

## Order guide

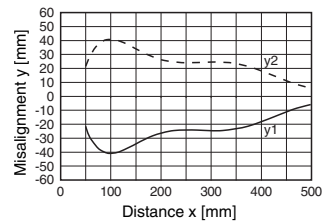
Designation	Part No.
HRTU 418M/P-5010-300-S12	500 36257
HRTU 418M/P-3010-1000-S12	500 36258

## Tables

## Diagrams

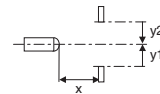
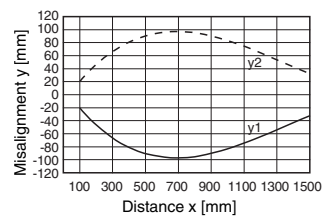
### HRTU...-5010-300...

Typ. response behaviour (object 10x10mm)



### HRTU...-3010-1000...

Typ. response behaviour (object 10x10mm)



## Remarks

- Synchronisation: Mutual interference is excluded by connecting the sensors with the SYNC input.

### Configuration software "USDS-Config"

The configuration software runs under Windows 95/98/NT/2000/XP and offers the following features:

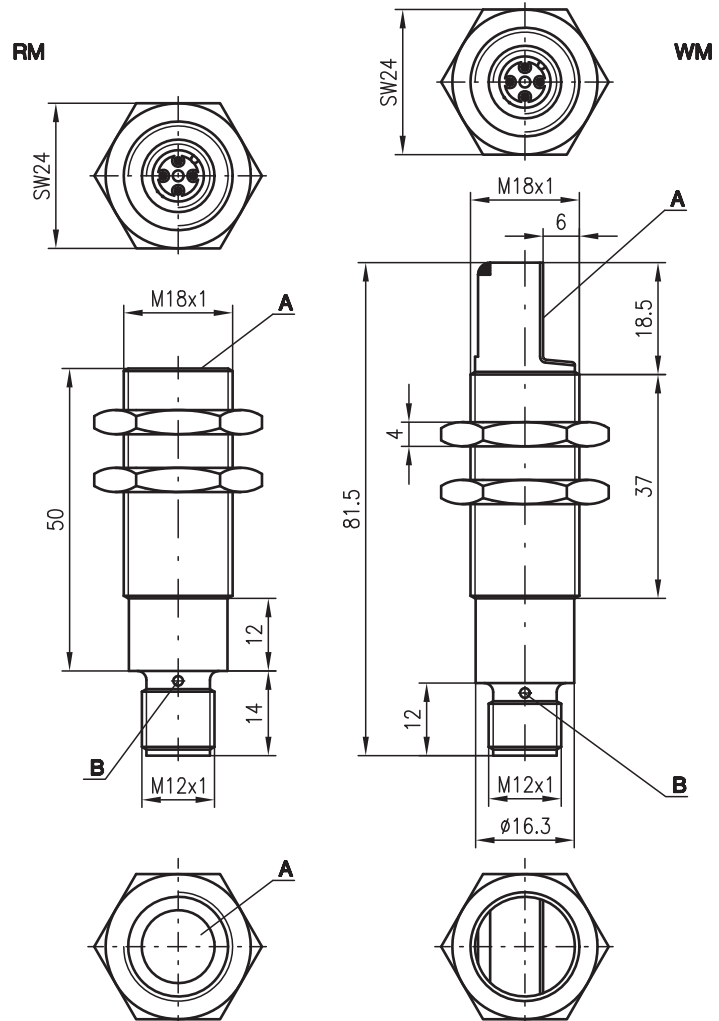
- Configuration of multiplex operation
- Configuration of the sensor (attenuation, switching frequency, response time)
- Adjustment of the switching output (start/end of switching range, hysteresis, object present yes/no)
- Adjustment of the analogue output
- Support of various languages

**HRTU 418 RM/WM**

**Ultrasonic sensors**

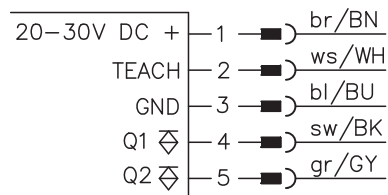


**Dimensioned drawing**



**A** Active surface  
**B** Indicator diode Q1, Q2

**Electrical connection**



**25 ... 400mm**  
**100 ... 700mm**



- Colour and transmission independent detection of objects
- Switching behaviour largely independent of surface properties
- Two mutually independent switching points
- Distance teachable
- Small construction



**Accessories:**

(available separately • see page 42)

- Mounting systems
- Cable with M12 connector (K-D ...)

We reserve the right to make changes • USDS\_13gb.fm

**Specifications**

**Ultrasonic specifications**

Operating range <sup>1)</sup>  
 Adjustment range  
 Ultrasonic frequency  
 Typ. opening angle  
 Resolution  
 Direction of beam

Reproducibility  
 Switching hysteresis  
 Temperature drift

**Timing**

Switching frequency  
 Response time  
 Delay before start-up

**Electrical data**

Operating voltage  $U_B$   
 Residual ripple  
 Bias current  
 Switching output  
 Function characteristics  
 Output current  
 Switching range adjustment

**Indicators**

Yellow LED  
 Flashing yellow LED

**Mechanical data**

Housing  
 Weight  
 Connection type

**Environmental data**

Ambient temp. (operation/storage)  
 Protective circuit <sup>2)</sup>  
 VDE safety class  
 Protection class  
 Standards applied  
 Fitting position

**HRTU 418 ...-400-S12**

25 ... 400mm  
 40 ... 300mm  
 300kHz  
 see diagrams  
 1mm  
 HRTU 418RM/P...: straight,  
 HRTU 418WM/P...: angular, 90°  
 ± 1mm  
 10mm  
 ± 0.17%/K

**HRTU 418...-700-S12**

50 ... 700mm  
 75 ... 700mm  
 200kHz

10Hz  
 50ms  
 20ms

5Hz  
 100ms

20 ... 30V DC (incl. ± 10% residual ripple)  
 ± 10% of  $U_B$   
 ≤ 20mA  
 2x PNP transistor  
 switching in case of object recognition  
 300mA  
 teach-in Q1: teach input (pin 2) connected to GND for  
 3 ... 6s  
 teach-in Q2: teach input (pin 2) connected to GND for  
 6 ... 9s

output Q1, output Q2  
 teaching procedure

metal/brass nickel-plated  
 50g  
 M 12 connector, plastic, 5-pin

-25 °C ... +70 °C/-40 °C ... +85 °C  
 1, 2, 3  
 III  
 IP 65  
 IEC 60947-5-2  
 any

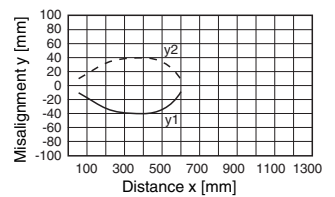
1) For the complete temperature range, measured object ≥ 20x20mm  
 2) 1=short-circuit and overload protection, 2=polarity reversal protection, 3=wire break and inductive protection

**Tables**

**Diagrams**

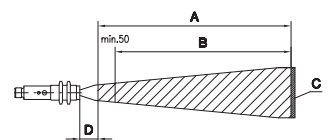
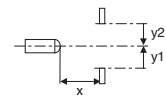
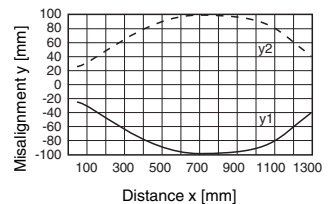
**HRTU 418 ...-400-S12**

Typ. response behaviour (object 20x20mm)



**HRTU 418 ...-700-S12**

Typ. response behaviour (object 20x20mm)



- A Operating range
- B Adjustment range
- C Object
- D Dead zone

**Order guide**

	<b>Designation</b>	<b>Part No.</b>
Operating range: 25 ... 400mm, direction of beam: straight	HRTU 418RM/P-5220-400-S12	501 09016
Operating range: 25 ... 400mm, direction of beam: 90°	HRTU 418WM/P-5220-400-S12	501 09017
Operating range: 50 ... 700mm, direction of beam: straight	HRTU 418RM/P-5220-700-S12	501 09018
Operating range: 50 ... 700mm, direction of beam: 90°	HRTU 418WM/P-5220-700-S12	501 09019

**Remarks**

- **Approved purpose:**  
The ultrasonic sensors are used for acoustic, contactless detection of objects.
- **Temperature drift**  
± 0.17%/K

## Teach-in via input

1. Position measurement object at the desired distance.
2. The respective teach function is activated by applying GND to the teach input (pin 2).  
The teach event is signalled by slow flashing of the LEDs.

Teach function	Teach phase / duration of the teach signal	LED Q1	LED Q2
Teach preparation	A / 0 ... 3s	off	off
switching output Q1	B / 3 ... 6s	flashes	off
switching output Q2	C / 6 ... 9s	off	flashes

3. To finish the teach event, disconnect the teach input from GND or switch it to +U<sub>B</sub> after the desired time. If the teach event has not completed after 9s, it begins again with phase B.
4. A successful teach event is signalled by the end of the flashing.

## Error messages

LEDs which continuously flash fast signal an unsuccessful teach event (sensor not ready):

LED Q1	LED Q2	Error
flashes rapidly	switching state output Q2	teach switching output Q1 unsuccessful
switching state output Q1	flashes rapidly	teach switching output Q1 unsuccessful

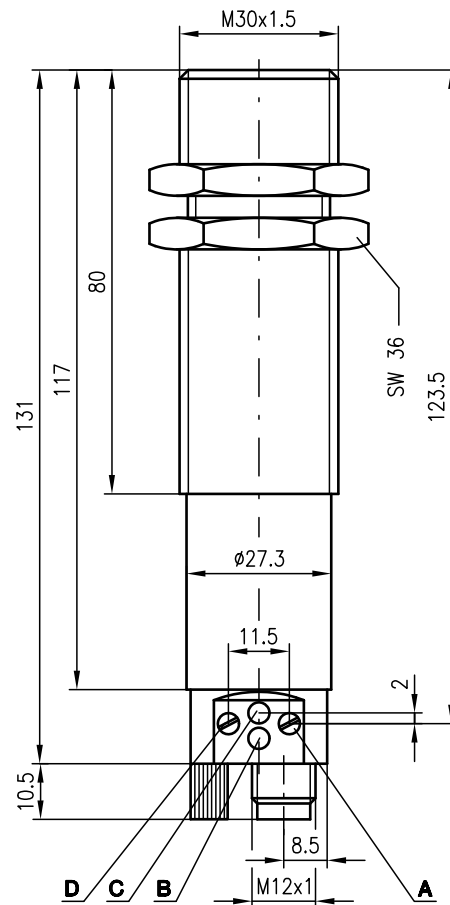
Remedy:

- Disconnect sensor from voltage to restore the old values.
- Repeat teach event



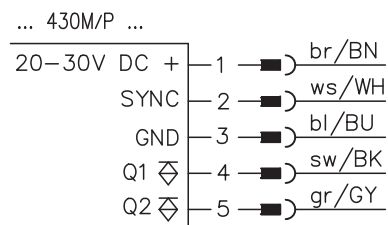


**Dimensioned drawing**



- A** Potentiometer for end of switching range Q1
- B** Indicator diode Q2 only for ... 430M/P ...
- C** Indicator diode Q1
- D** Potentiometer for start of switching range Q1

**Electrical connection**



Switching outputs Q1 and Q2 switch alternately!



**60 ... 300 mm**  
**200 ... 1300 mm**



- Ideal for detection of levels of liquids, bulk materials, transparent media, ...
- Distance information largely independent of surface properties
- PC-configuration software for configuring sensor and switching output
- Up to 10 devices can be synchronised via the SYNC input
- Separate adjustment of start and end of switching range (Q1) via potentiometer and PC



**Accessories:**

(available separately • see page 42)

- Cable with M12 connector (K-D ...)
- "USDS-Config" configuration software (free download from [www.leuze.com](http://www.leuze.com))
- PGU 01 (programming unit)

We reserve the right to make changes • USDS\_05gb.fm

## Specifications

### Ultrasonic specifications

	VRTU...-5110-300...	VRTU...-3110-1300...
Operating range <sup>1)</sup>	60 ... 300mm	200 ... 1300mm
Ultrasonic frequency	400kHz	200kHz
Opening angle	6°	
Resolution	≤ 1mm	≥ 1mm
Absolute measurement accuracy	± 1.5% of the measurement range end value	
Reproducibility	± 0.45 mm	± 2mm
Switching hysteresis	10mm	10mm

### Timing

Switching frequency (min.) <sup>2)</sup>	8Hz	4Hz
Response time (max.) <sup>2)</sup>	80ms	110ms
Delay before start-up	280ms	280ms

### Electrical data

Operating voltage $U_B$	20 ... 30VDC (incl. ± 10% residual ripple)
Residual ripple	± 10% of $U_B$
Bias current	≤ 50mA (without load)
Switching output	2 PNP transistors
Function characteristics	switching in case of object recognition
Output current	300mA
Switching range adjustment	potentiometer 270°

### Indicators

Yellow LED	output activated
Flashing yellow LED	programming error

### Mechanical data

Housing	metal / CuZn
Weight	210g
Connection type	M12 connector, plastic, 5-pin

### Environmental data

Ambient temp. (operation/storage)	-25°C ... +70°C/-40°C ... +85°C
Protective circuit <sup>3)</sup>	1, 2, 3
VDE safety class	III
Protection class	IP 65
Standards applied	IEC 60947-5-2
Fitting position	any

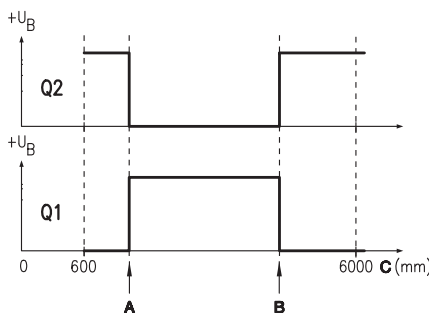
- 1) For the complete temperature range, measured object ≥ 10x10mm  
 2) Can be configured up to 3 times faster using "USDS-Config"  
 3) 1=short-circuit and overload protection, 2=polarity reversal protection, 3=wire break and inductive protection

## Remarks

### ● Approved purpose:

The ultrasonic sensors are used for acoustic, contactless detection of objects.

Characteristic curve of switching outputs:



- A Start of switching range Q1, end of switching range Q2  
 B End of switching range Q1, start of switching range Q2  
 C Measurement distance

## Order guide

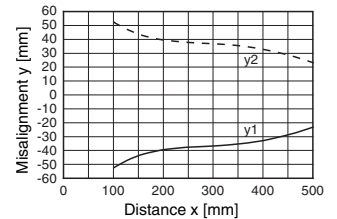
Designation	Part No.
VRTU 430M/P-5110-300-S12	500 36261
VRTU 430M/P-3110-1300-S12	500 36262

## Tables

## Diagrams

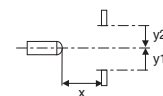
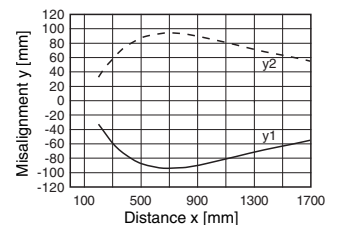
### VRTU...-5110-300...

Typ. response behaviour (object 10x10mm)



### VRTU...-3110-1300...

Typ. response behaviour (object 10x10mm)



## Remarks

- Synchronisation: Mutual interference is excluded by connecting the sensors with the SYNC input.

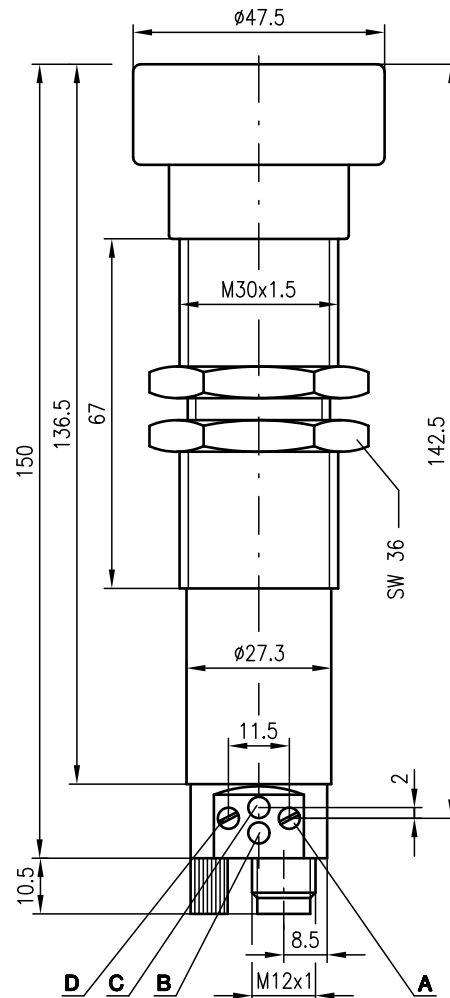
### Configuration software "USDS-Config"

The configuration software runs under Windows 95/98/NT/2000/XP and offers the following features:

- Configuration of multiplex operation
- Configuration of the sensor (attenuation, switching frequency, response time)
- Adjustment of the switching output (start/end of switching range, hysteresis, object present yes/no)
- Adjustment of the analogue output
- Support of various languages

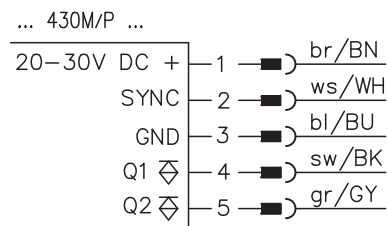


**Dimensioned drawing**



- A** Potentiometer for end of switching range Q1
- B** Indicator diode Q2 (only for ... 430M/P ...)
- C** Indicator diode Q1
- D** Potentiometer for start of switching range Q1

**Electrical connection**



Switching outputs Q1 and Q2 switch alternately!



**400 ... 3000 mm**



- Ideal for detection of levels of liquids, bulk materials, transparent media, ...
- Distance information largely independent of surface properties
- PC-configuration software for configuring sensor and switching output
- Up to 10 devices can be synchronised via the SYNC input
- Separate adjustment of start and end of switching range (Q1) via potentiometer and PC



**Accessories:**

(available separately • see page 42)

- Cable with M12 connector (K-D ...)
- "USDS-Config" configuration software (free download from [www.leuze.com](http://www.leuze.com))
- PGU 01 (programming unit)

We reserve the right to make changes • USDS\_04gb.fm



## Specifications

### Ultrasonic specifications

Operating range <sup>1)</sup>	400 ... 3000mm
Ultrasonic frequency	120kHz
Opening angle	6°
Resolution	≥ 1mm
Absolute measurement accuracy	± 1.5% of the measurement range end value
Reproducibility	± 5mm
Switching hysteresis	20mm

### Timing

Switching frequency (min.) <sup>2)</sup>	2Hz
Response time (max.) <sup>2)</sup>	200ms
Delay before start-up	280ms

### Electrical data

Operating voltage $U_B$	20 ... 30VDC (incl. ± 10% residual ripple)
Residual ripple	± 10% of $U_B$
Bias current	≤ 50mA (without load)
Switching output	2 PNP transistors
Function characteristics	switching in case of object recognition
Output current	300mA
Switching range adjustment	potentiometer 270°

### Indicators

Yellow LED	output activated
Flashing yellow LED	programming error

### Mechanical data

Housing	metal / CuZn
Weight	340g
Connection type	M12 connector, plastic, 5-pin

### Environmental data

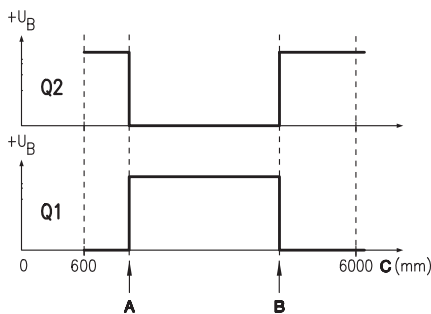
Ambient temp. (operation/storage)	-25°C ... +70°C/-40°C ... +85°C
Protective circuit <sup>3)</sup>	1, 2, 3
VDE safety class	III
Protection class	IP 65
Standards applied	IEC 60947-5-2
Fitting position	any

- 1) For the complete temperature range, measured object ≥ 50x50mm  
 2) Can be configured up to 3 times faster using "USDS-Config"  
 3) 1=short-circuit and overload protection, 2=polarity reversal protection, 3=wire break and inductive protection

## Remarks

- **Approved purpose:**  
The ultrasonic sensors are used for acoustic, contactless detection of objects.

Characteristic curve of switching outputs:



- A** Start of switching range Q1, end of switching range Q2
- B** End of switching range Q1, start of switching range Q2
- C** Measurement distance

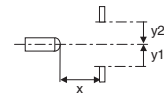
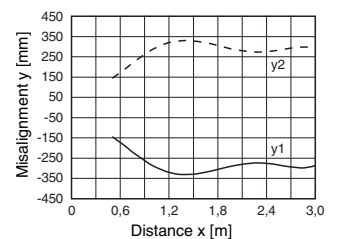
## Order guide

Designation	Part No.
VRTU 430M/P-2110-3000-S12	500 36263

## Tables

## Diagrams

Typ. response behaviour (object 50x50mm)



## Remarks

- **Synchronisation:**  
Mutual interference is excluded by connecting the sensors with the SYNC input.

### Configuration software "USDS-Config"

The configuration software runs under Windows 95/98/NT/2000/XP and offers the following features:

- Configuration of multiplex operation
- Configuration of the sensor (attenuation, switching frequency, response time)
- Adjustment of the switching output (start/end of switching range, hysteresis, object present yes/no)
- Adjustment of the analogue output
- Support of various languages



**600 ... 6000mm**



- Ideal for detection of levels of liquids, bulk materials, transparent media, ...
- Distance information largely independent of surface properties
- PC-configuration software for configuring sensor and switching output
- Up to 10 devices can be synchronised via the SYNC input
- Separate adjustment of start and end of switching range (Q1) via potentiometer and PC

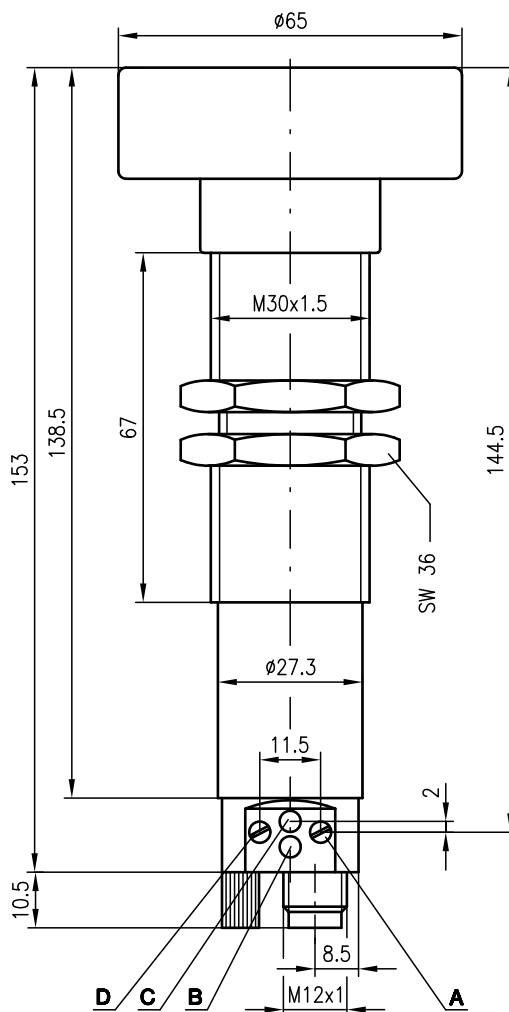


**Accessories:**

(available separately • see page 42)

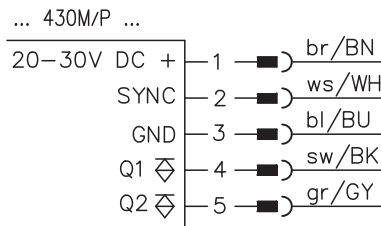
- Cable with M12 connector (K-D ...)
- "USDS-Config" configuration software (free download from [www.leuze.com](http://www.leuze.com))
- PGU 01 (programming unit)

**Dimensioned drawing**



- A** Potentiometer for end of switching range Q1
- B** Indicator diode Q2 only for ... 430M/P ...
- C** Indicator diode Q1
- D** Potentiometer for start of switching range Q1

**Electrical connection**



Switching outputs Q1 and Q2 switch alternately!

We reserve the right to make changes • USDS\_08gb.fm

## Specifications

### Ultrasonic specifications

Operating range <sup>1)</sup>	600 ... 6000mm
Ultrasonic frequency	80kHz
Opening angle	6°
Resolution	≥ 1mm
Absolute measurement accuracy	± 1.5% of the measurement range end value
Reproducibility	± 9mm
Switching hysteresis	60mm

### Timing

Switching frequency (min.) <sup>2)</sup>	1Hz
Response time (max.) <sup>2)</sup>	400ms
Delay before start-up	280ms

### Electrical data

Operating voltage $U_B$	20 ... 30V DC (incl. ± 10% residual ripple)
Residual ripple	± 10% of $U_B$
Bias current	≤ 50mA (without load)
Switching output	2 PNP transistors
Function characteristics	switching in case of object recognition
Output current	300mA
Switching range adjustment	potentiometer 270°

### Indicators

Yellow LED	output activated
Flashing yellow LED	programming error

### Mechanical data

Housing	metal / CuZn
Weight	380g
Connection type	M12 connector, plastic, 5-pin

### Environmental data

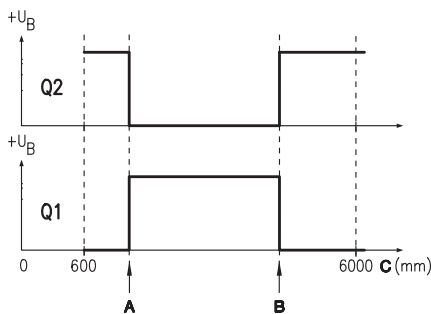
Ambient temp. (operation/storage)	-25°C ... +70°C/-40°C ... +85°C
Protective circuit <sup>3)</sup>	1, 2, 3
VDE safety class	III
Protection class	IP 65
Standards applied	IEC 60947-5-2
Fitting position	any

- 1) For the complete temperature range, measured object ≥ 100x100 mm  
 2) Can be configured up to 3 times faster using "USDS-Config"  
 3) 1=short-circuit and overload protection, 2=polarity reversal protection, 3=wire break and inductive protection

## Remarks

- **Approved purpose:**  
The ultrasonic sensors are used for acoustic, contactless detection of objects.

Characteristic curve of switching outputs:



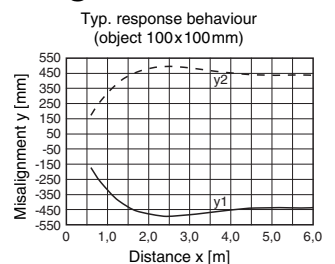
- A** Start of switching range Q1, end of switching range Q2  
**B** End of switching range Q1, start of switching range Q2  
**C** Measurement distance

## Order guide

Designation	Part No.
VRTU 430M/P-1110-6000-S12	500 36264

## Tables

## Diagrams



## Remarks

- **Synchronisation:**  
Mutual interference is excluded by connecting the sensors with the SYNC input.

### Configuration software "USDS-Config"

The configuration software runs under Windows 95/98/NT/2000/XP and offers the following features:

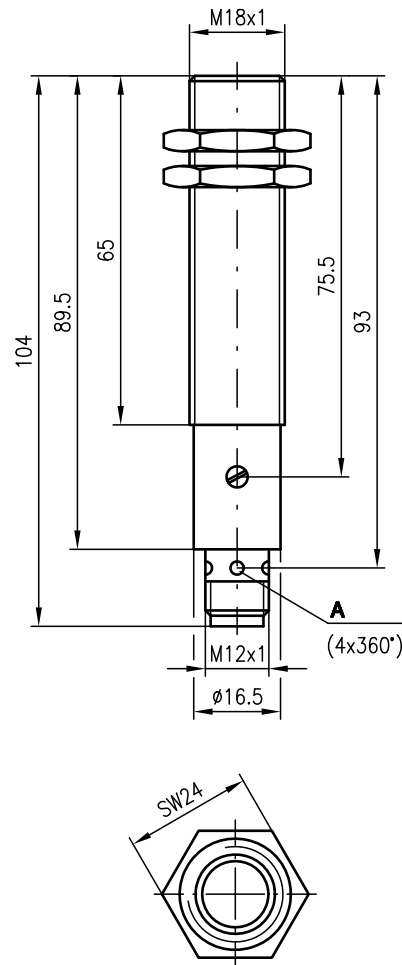
- Configuration of multiplex operation
- Configuration of the sensor (attenuation, switching frequency, response time)
- Adjustment of the switching output (start/end of switching range, hysteresis, object present yes/no)
- Adjustment of the analogue output
- Support of various languages

**HRTU 418**

**Ultrasonic distance sensors**

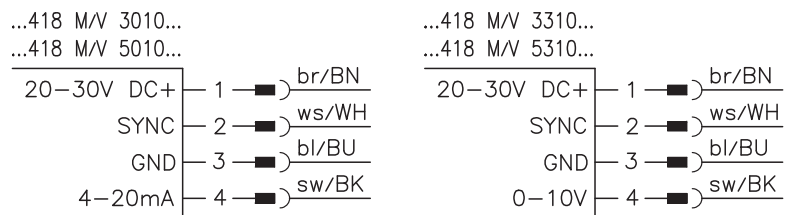


**Dimensioned drawing**

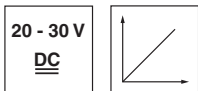


**A** Indicator diodes Q1

**Electrical connection**



**50 ... 300mm**  
**150 ... 1000mm**



- Ideal for detection of levels of liquids, bulk materials, transparent media, ...
- Distance information largely independent of surface properties
- PC-configuration software for configuring sensor and analogue output
- Up to 10 devices can be synchronised via the SYNC input



**Accessories:**

(available separately • see page 42)

- Mounting systems
- Cable with M12 connector (K-D ...)
- "USDS-Config" configuration software (free download from [www.leuze.com](http://www.leuze.com))
- PGU 01 (programming unit)

We reserve the right to make changes • USDS\_02gb.fm

## Specifications

### Ultrasonic specifications

	HRTU...-5x10-300...	HRTU...-3x10-1000...
Operating range <sup>1)</sup>	50 ... 300mm	150 ... 1000mm
Ultrasonic frequency	400kHz	200kHz
Opening angle	6°	
Resolution	1 mm	
Absolute measurement accuracy	± 2.5% of the measurement range end value	
Reproducibility	± 1mm	± 2mm
Switching hysteresis	10mm	10mm

### Timing

	5Hz	4Hz
Switching frequency (min.) <sup>2)</sup>	5Hz	4Hz
Response time (max.) <sup>2)</sup>	100ms	120ms
Delay before start-up	280ms	280ms

### Electrical data

Operating voltage $U_B$	20 ... 30V DC (incl. ± 10% residual ripple)
Residual ripple	± 10% of $U_B$
Bias current	≤ 60mA
Switching output	analogue
<b>Current output</b>	<b>only HRTU...-x010-...</b>
Output current	4 ... 20mA
Load resistor	$R_L = 0 \dots 300\Omega$
Characteristic curve	ascending
<b>Voltage output</b>	<b>only HRTU...-x310-...</b>
Output voltage	0 ... 10V
Load resistor	$R_L \geq 500\Omega$
Characteristic curve	ascending

### Indicators

Yellow LED	object detected
------------	-----------------

### Mechanical data

Housing	metal / CuZn
Weight	50g
Connection type	M12 connector, plastic, 4-pin

### Environmental data

Ambient temp. (operation/storage)	-25°C ... +70°C/-40°C ... +85°C
Protective circuit <sup>3)</sup>	1, 2, 3
VDE safety class	III
Protection class	IP 67
Standards applied	IEC 60947-5-2
Fitting position	any

- 1) For the complete temperature range, measured object  $\geq 10 \times 10 \text{mm}$
- 2) Can be configured up to 3 times faster using "USDS-Config"
- 3) 1=short-circuit and overload protection, 2=no polarity reversal protection, 3=wire break and inductive protection

## Remarks

- **Approved purpose:**  
The ultrasonic distance sensors are used for acoustic, contactless detection of objects.

## Order guide

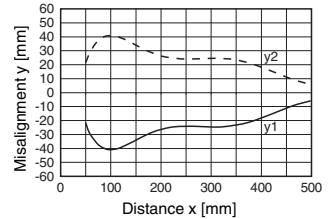
	Designation	Part No.
Current output	HRTU 418M/V-5010-300-S12	500 36259
Current output	HRTU 418M/V-3010-1000-S12	500 36260
Voltage output	HRTU 418M/V-5310-300-S12	500 40616
Voltage output	HRTU 418M/V-3310-1000-S12	500 40618

## Tables

### Diagrams

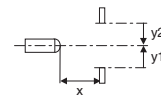
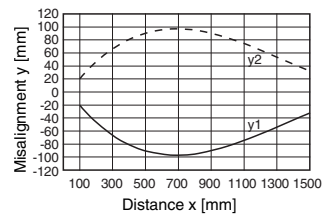
#### HRTU...-5x10-300...

Typ. response behaviour (object 10x10mm)



#### HRTU...-3x10-1000...

Typ. response behaviour (object 10x10mm)



## Remarks

- **Synchronisation:**  
Mutual interference is excluded by connecting the sensors with the SYNC input.

### Configuration software "USDS-Config"

The configuration software runs under Windows 95/98/NT/2000/XP and offers the following features:

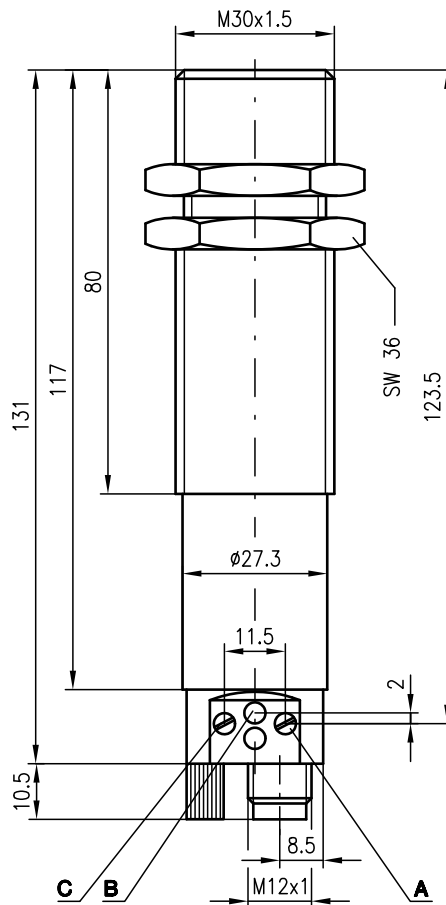
- Configuration of multiplex operation
- Configuration of the sensor (attenuation, switching frequency, response time)
- Adjustment of the switching output (start/end of switching range, hysteresis, object present yes/no)
- Adjustment of the analogue output
- Support of various languages

**VRTU 430**

**Ultrasonic distance sensors**



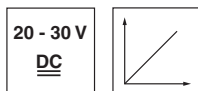
**Dimensioned drawing**



- A** Potentiometer for end of switching range Q1
- B** Indicator diode Q1
- C** Potentiometer for start of switching range Q1

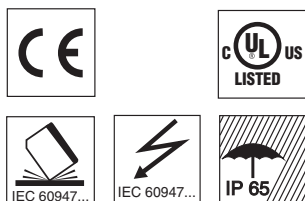


**60 ... 300 mm**  
**200 ... 1300 mm**



- Ideal for detection of levels of liquids, bulk materials, transparent media, ...
- Distance information largely independent of surface properties
- 1 analogue output, 1 switching output
- PC-configuration software for configuring sensor and switching output / analogue output
- Up to 10 devices can be synchronised via the SYNC input
- Separate adjustment of start and end of switching range (Q1) via potentiometer and PC

**Electrical connection**

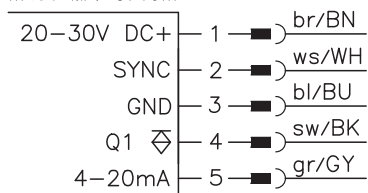


**Accessories:**

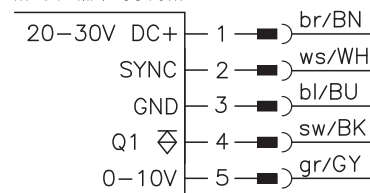
(available separately • see page 42)

- Cable with M12 connector (K-D ...)
- "USDS-Config" configuration software (free download from [www.leuze.com](http://www.leuze.com))
- PGU 01 (programming unit)

...430 M/V 3710...  
...430 M/V 5710...



...430 M/V 3510...  
...430 M/V 5510...



We reserve the right to make changes • USDS\_03gb.fm

## Specifications

### Ultrasonic specifications

	VRTU...-5x10-300...	VRTU...-3x10-1300...
Operating range <sup>1)</sup>	60 ... 300mm	200 ... 1300mm
Ultrasonic frequency	400kHz	200kHz
Opening angle	6°	
Resolution	≤ 1mm	≥ 1mm
Absolute measurement accuracy	± 1.5% of the measurement range end value	
Reproducibility	± 0.45 mm	± 2mm
Switching hysteresis	10mm	10mm
Sensitivity	potentiometer 270°	

### Timing

Switching frequency (min.) <sup>2)</sup>	8Hz	4Hz
Response time (max.) <sup>2)</sup>	80ms	110ms
Delay before start-up	280ms	280ms

### Electrical data

Operating voltage $U_B$	20 ... 30VDC (incl. ± 10% residual ripple)
Residual ripple	± 10% of $U_B$
Bias current	≤ 50mA (without load)
Outputs	1 PNP transistor, 1 analogue output

### Switching output

Function characteristics  
Output current (PNP)  
300mA

### Current output

Output current  
Load resistor  
4 ... 20mA  
 $R_L = 0 \dots 300\Omega$

### Characteristic curve

ascending  
**only HRTU...-x710-...**

### Voltage output

Output voltage  
Load resistor  
0 ... 10V  
 $R_L \geq 500\Omega$

### Characteristic curve

ascending  
**only HRTU...-x510-...**

### Indicators

Yellow LED  
Flashing yellow LED  
output activated  
programming error

### Mechanical data

Housing  
Weight  
Connection type  
metal / CuZn  
210g  
M12 connector, plastic, 5-pin

### Environmental data

Ambient temp. (operation/storage)  
Protective circuit <sup>3)</sup>  
VDE safety class  
Protection class  
Standards applied  
Fitting position  
-25°C ... +70°C/-40°C ... +85°C  
1, 2, 3  
III  
IP 65  
IEC 60947-5-2  
any

- 1) For the complete temperature range, measured object  $\geq 10 \times 10 \text{mm}$
- 2) Can be configured up to 3 times faster using "USDS-Config"
- 3) 1=short-circuit and overload protection, 2=no polarity reversal protection, 3=wire break and inductive protection

## Remarks

- **Approved purpose:**  
The ultrasonic distance sensors are used for acoustic, contactless detection of objects.

## Order guide

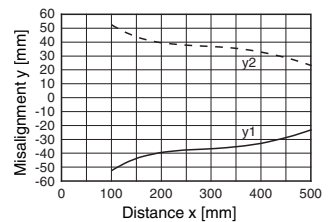
	Designation	Part No.
Current output	VRTU 430M/V-5710-300-S12	500 36266
Current output	VRTU 430M/V-3710-1300-S12	500 36267
Voltage output	VRTU 430M/V-5510-300-S12	500 40771
Voltage output	VRTU 430M/V-3510-1300-S12	500 40772

## Tables

## Diagrams

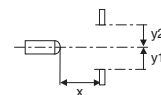
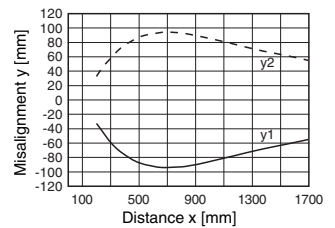
### VRTU...-5x10-300...

Typ. response behaviour (object 10x10mm)



### VRTU...-3x10-1300...

Typ. response behaviour (object 10x10mm)



## Remarks

- **Synchronisation:**  
Mutual interference is excluded by connecting the sensors with the SYNC input.

### Configuration software "USDS-Config"

The configuration software runs under Windows 95/98/NT/2000/XP and offers the following features:

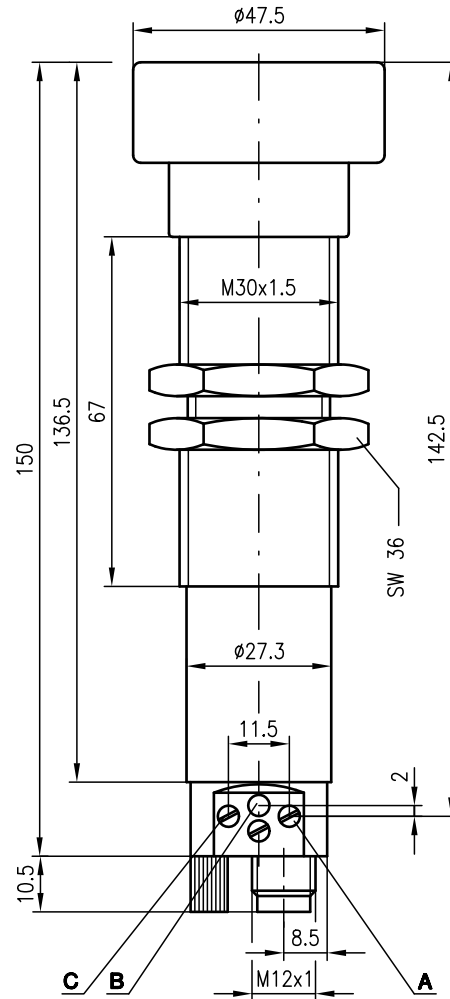
- Configuration of multiplex operation
- Configuration of the sensor (attenuation, switching frequency, response time)
- Adjustment of the switching output (start/end of switching range, hysteresis, object present yes/no)
- Adjustment of the analogue output
- Support of various languages

**VRTU 430**

**Ultrasonic distance sensors**

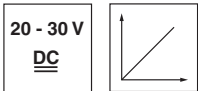


**Dimensioned drawing**



- A** End of switching range
- B** Indicator diode Q1
- C** Start of switching range

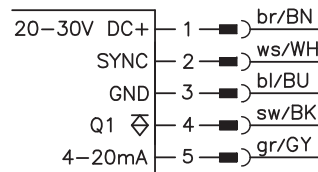
**400 ... 3000mm**



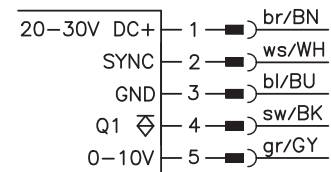
- Ideal for detection of levels of liquids, bulk materials, transparent media, ...
- Distance information largely independent of surface properties
- Analogue current output or voltage output, 1 switching output
- All settings are adjustable
- Up to 10 devices can be synchronised via the SYNC input
- Start and end of switching range adjustable separately

**Electrical connection**

...430 M/V 2710...



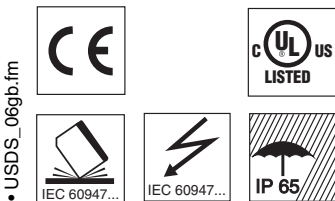
...430 M/V 2510...



**Accessories:**

(available separately • see page 42)

- Programming software "USDS-Config"
- PGU 01 (programming unit)



We reserve the right to make changes • USDS\_06gb.fm



## Specifications

### Ultrasonic specifications

	VRTU...-2710-3000...	VRTU...-2510-3000...
Operating range <sup>1)</sup>	400 ... 3000mm	
Ultrasonic frequency	120kHz	
Opening angle	6°	
Resolution	≥ 1 mm	
Absolute measurement accuracy	± 1.5% of the measurement range end value	
Reproducibility	± 5mm	
Switching hysteresis	20mm	

### Timing

Switching frequency	2Hz
Response time	200ms
Delay before start-up	280ms

### Electrical data

Operating voltage $U_B$	20 ... 30VDC (incl. ± 10% residual ripple)	
Residual ripple	± 10% of $U_B$	
Bias current	< 60mA	
Outputs	1 PNP transistor,	1 PNP transistor,
	1 analogue current output	1 analogue voltage output
	switching in case of object recognition	
Function characteristics	max. 300mA	
Output current (PNP switching output)	4 ... 20mA	
Analogue output	0 ... 10V	
Load resistance (analogue output)	$R_L$ 0 ... 300Ω	$R_L$ ≥ 2kΩ
Characteristic curve	ascending	
Switching range adjustment	potentiometer 270°	

### Indicators

Yellow LED	output activated
Flashing yellow LED	programming error

### Mechanical data

Housing	metal / CuZn
Weight	340g
Connection type	M12 connector, plastic, 5-pin

### Environmental data

Ambient temp. (operation/storage)	-25°C ... +70°C/-40°C ... +85°C
Protective circuit <sup>2)</sup>	1, 2, 3
VDE safety class	III
Protection class	IP 65
Standards applied	IEC 60947-5-2
Fitting position	any

1) For the complete temperature range, measured object ≥ 50x50mm

2) 1=short-circuit and overload protection, 2=no polarity reversal protection, 3=wire break and inductive protection

## Remarks

- **Approved purpose:**  
The ultrasonic distance sensors are used for acoustic, contactless detection of objects.

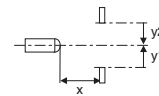
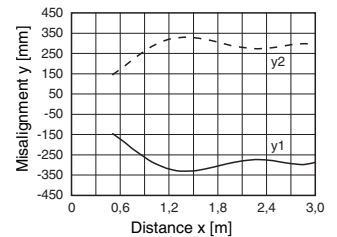
## Order guide

	Designation	Part No.
With analogue current output	VRTU 430M/V-2710-3000-S12	500 36268
With analogue voltage output	VRTU 430M/V-2510-3000-S12	501 07096

## Tables

## Diagrams

Typ. response behaviour (object 50x50mm)



## Remarks

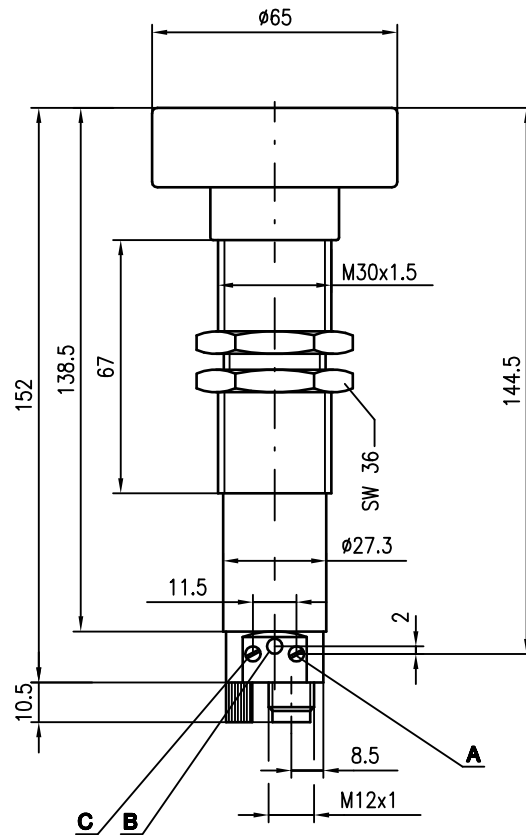
- **Synchronisation:**  
Mutual interference is excluded by connecting the sensors with the SYNC input.
- **Multiplex:**  
Achieved by configuring the sensors with the "USDS-Config" software.

**VRTU 430**

**Ultrasonic distance sensors**

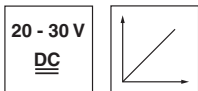


**Dimensioned drawing**



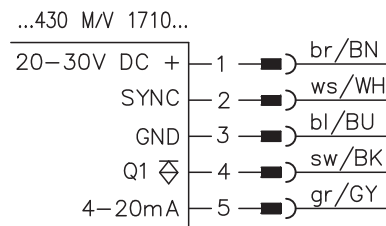
- A** Potentiometer for end of switching range Q1
- B** Indicator diode Q1
- C** Potentiometer for start of switching range Q1

**600 ... 6000mm**



- Ideal for detection of levels of liquids, bulk materials, transparent media, ...
- Distance information largely independent of surface properties
- Analogue current output, 1 switching output
- PC-configuration software for configuring sensor and switching output / analogue output
- Up to 10 devices can be synchronised via the SYNC input
- Separate adjustment of start and end of switching range (Q1) via potentiometer and PC

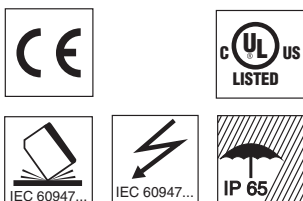
**Electrical connection**



**Accessories:**

(available separately • see page 42)

- Cable with M12 connector (K-D ...)
- "USDS-Config" configuration software (free download from [www.leuze.com](http://www.leuze.com))
- PGU 01 (programming unit)



## Specifications

### Ultrasonic specifications

Operating range <sup>1)</sup>	600 ... 6000mm
Ultrasonic frequency	80kHz
Opening angle	6°
Resolution	≥ 1mm
Absolute measurement accuracy	± 1.5% of the measurement range end value
Reproducibility	± 9mm
Switching hysteresis	60mm

### Timing

Switching frequency (min.) <sup>2)</sup>	1Hz
Response time (max.) <sup>2)</sup>	400ms
Delay before start-up	280ms

### Electrical data

Operating voltage $U_B$	20 ... 30VDC (incl. ± 10% residual ripple)
Residual ripple	± 10% of $U_B$
Bias current	< 60mA
Outputs	1 PNP transistor, 1 analogue output
Function characteristics	switching in case of object recognition
Output current (PNP/analogue)	300mA/4 ... 20mA
Analogue output	$R_L$ 0 ... 300Ω
Characteristic curve	ascending
Switching range adjustment	potentiometer 270°

### Indicators

Yellow LED	output activated
Flashing yellow LED	programming error

### Mechanical data

Housing	metal / CuZn
Weight	380g
Connection type	M12 connector, plastic, 5-pin

### Environmental data

Ambient temp. (operation/storage)	-25°C ... +70°C/-40°C ... +85°C
Protective circuit <sup>3)</sup>	1, 2, 3
VDE safety class	III
Protection class	IP 65
Standards applied	IEC 60947-5-2
Fitting position	any

1) For the complete temperature range, measured object ≥ 100x100 mm

2) Can be configured up to 3 times faster using "USDS-Config"

3) 1=short-circuit and overload protection, 2=no polarity reversal protection, 3=wire break and inductive protection

## Remarks

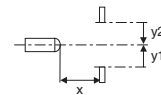
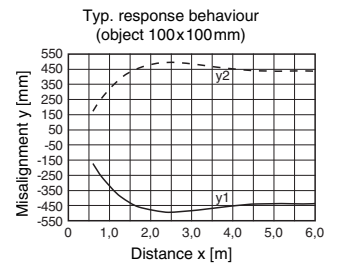
- **Approved purpose:**  
The ultrasonic distance sensors are used for acoustic, contactless detection of objects.

## Order guide

Designation	Part No.
VRTU 430M/V-1710-6000-S12	500 36269

## Tables

## Diagrams



## Remarks

- **Synchronisation:**  
Mutual interference is excluded by connecting the sensors with the SYNC input.

### Configuration software "USDS-Config"

The configuration software runs under Windows 95/98/NT/2000/XP and offers the following features:

- Configuration of multiplex operation
- Configuration of the sensor (attenuation, switching frequency, response time)
- Adjustment of the switching output (start/end of switching range, hysteresis, object present yes/no)
- Adjustment of the analogue output
- Support of various languages

**Accessories Ultrasonic sensors**

**Connectors, cables**



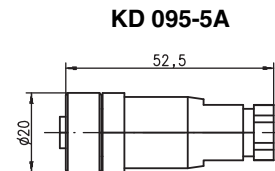
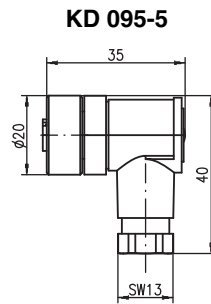
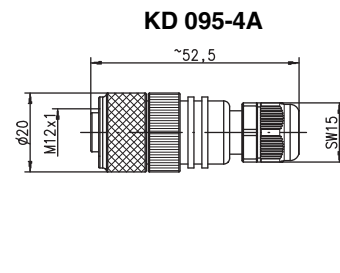
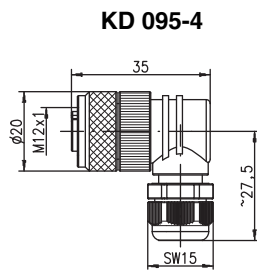
The following connectors are available for devices with M12 connectors: angled or straight, with and without cable connection.

Protection class (DIN 40050)  
plugged and screwed down: IP 67

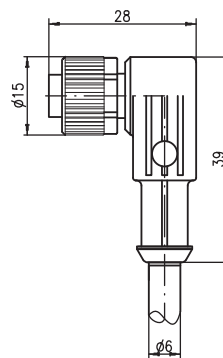
**Important:**

With throughbeam photoelectric sensors, a connector is required both for the transmitter and the receiver.

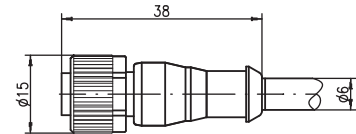
**Dimensioned drawings**




**K-D M12W-4P-...  
K-D M12W-5P-...**

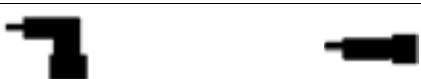


**K-D M12A-4P-...  
K-D M12A-5P-...**




Selection table

M12 connector, user-configurable		
		
Connection type	Without cable, 4-pin	
Screw terminals	<b>KD 095-4</b> Part No. 500 31324	<b>KD 095-4A</b> Part No. 500 31323
	Without cable, 5-pin	
Screw terminals	<b>KD 095-5</b> Part No. 500 20502	<b>KD 095-5A</b> Part No. 500 20501

M12 connection cable with connector, single-sided		
		
Length	PVC cable sheath, 4-pin	
2m	<b>K-D M12W-4P-2m-PVC</b> Part No. 501 04543	<b>K-D M12A-4P-2m-PVC</b> Part No. 501 04542
5m	<b>K-D M12W-4P-5m-PVC</b> Part No. 501 04545	<b>K-D M12A-4P-5m-PVC</b> Part No. 501 04544
10m	<b>K-D M12W-4P-10m-PVC</b> Part No. 501 04547	<b>K-D M12A-4P-10m-PVC</b> Part No. 501 04546
20m	-	<b>K-D M12A-4P-20m-PVC</b> Part No. 501 04753
Length	PUR cable sheath, 4-pin	

2m	<b>K-D M12W-4P-2m-PUR</b> Part No. 501 04562	<b>K-D M12A-4P-2m-PUR</b> Part No. 501 04561
5m	<b>K-D M12W-4P-5m-PUR</b> Part No. 501 04564	<b>K-D M12A-4P-5m-PUR</b> Part No. 501 04563
10m	<b>K-D M12W-4P-10m-PUR</b> Part No. 501 04566	<b>K-D M12A-4P-10m-PUR</b> Part No. 501 04565

M12 connection cable with connector, single-sided		
		
Length	PVC cable sheath, 5-pin	
2m	<b>K-D M12W-5P-2m-PVC</b> Part No. 501 04556	<b>K-D M12A-5P-2m-PVC</b> Part No. 501 04555
5m	<b>K-D M12W-5P-5m-PVC</b> Part No. 501 04558	<b>K-D M12A-5P-5m-PVC</b> Part No. 501 04557
10m	<b>K-D M12W-5P-10m-PVC</b> Part No. 501 04560	<b>K-D M12A-5P-10m-PVC</b> Part No. 501 04559
Length	PUR cable sheath, 5-pin	
2m	<b>K-D M12W-5P-2m-PUR</b> Part No. 501 04568	<b>K-D M12A-5P-2m-PUR</b> Part No. 501 04567
5m	<b>K-D M12W-5P-5m-PUR</b> Part No. 501 04762	<b>K-D M12A-5P-5m-PUR</b> Part No. 501 04569

Connectors, cables



**Accessories Ultrasonic sensors**

**Mounting systems**

BT 8-0 (Part No. 500 36196)

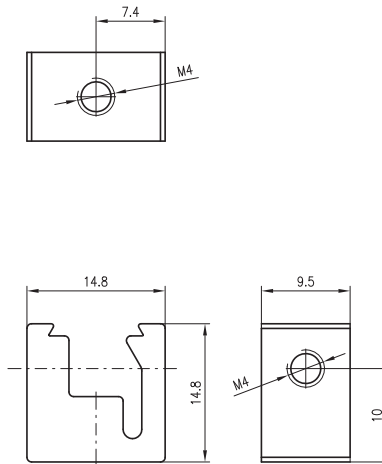


BT 8 (Part No. 500 36195)

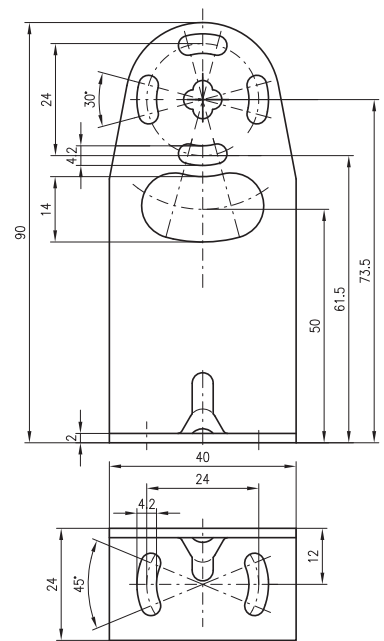


**Dimensioned drawings**

BT 8-0



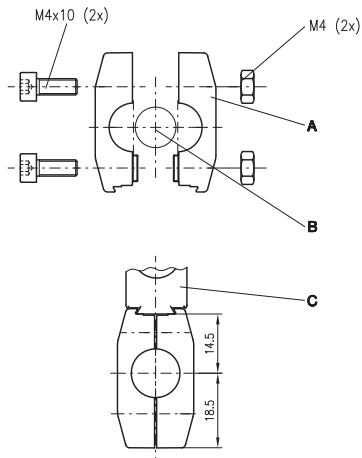
BT 8



We reserve the right to make changes • USDS\_zu\_gb\_fm

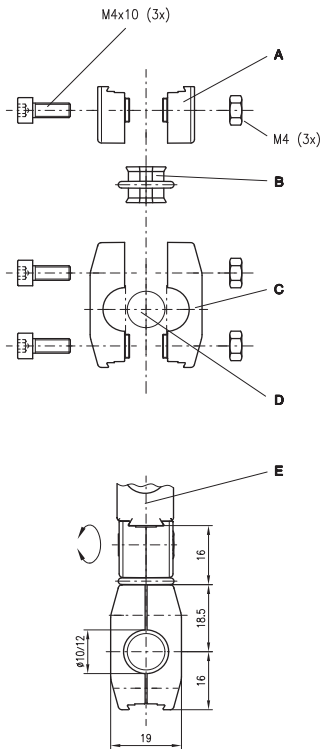
**Dimensioned drawings**

UMS 8-D...



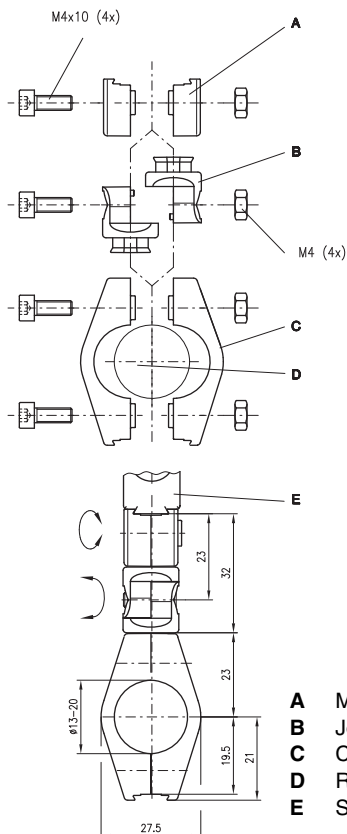
- A** Clamp
- B** Rod
- C** Sensor

UMS 8.1-D...



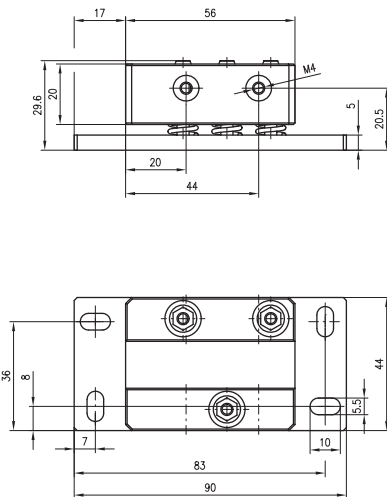
- A** Mount
- B** Joint
- C** Clamp
- D** Rod
- E** Sensor

UMS 8.2-D...



- A** Mount
- B** Joint
- C** Clamp
- D** Rod
- E** Sensor

BT 8-ARH



**Mounting systems**

- UMS 8-D10 (Ø10mm, Part No. 500 35020)
- UMS 8-D12 (Ø12mm, Part No. 500 35021)
- UMS 8-D14 (Ø14mm, Part No. 500 35022)



- UMS 8.1-D10 (Ø10mm, Part No. 500 35023)
- UMS 8.1-D12 (Ø12mm, Part No. 500 35024)
- UMS 8.1-D14 (Ø14mm, Part No. 500 35025)



- UMS 8.2-D10 (Ø10mm, Part No. 500 35026)
- UMS 8.2-D12 (Ø12mm, Part No. 500 35027)
- UMS 8.2-D14 (Ø14mm, Part No. 500 35028)



BT 8-ARH (Part No. 500 35030)



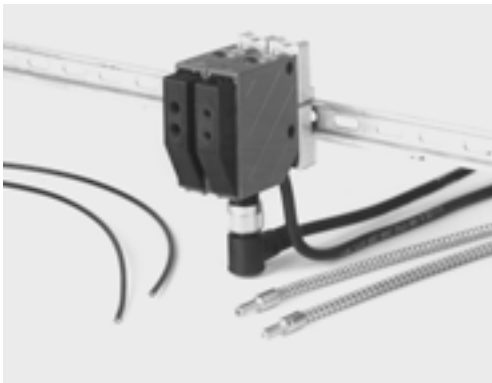
**Accessories Ultrasonic sensors**

**Mounting systems**

BT 8-D10 (Ø10mm, Part No. 500 35017)  
 BT 8-D12 (Ø12mm, Part No. 500 35018)  
 BT 8-D14 (Ø14mm, Part No. 500 35019)



BT 8-C15 (Part No. 500 35016)

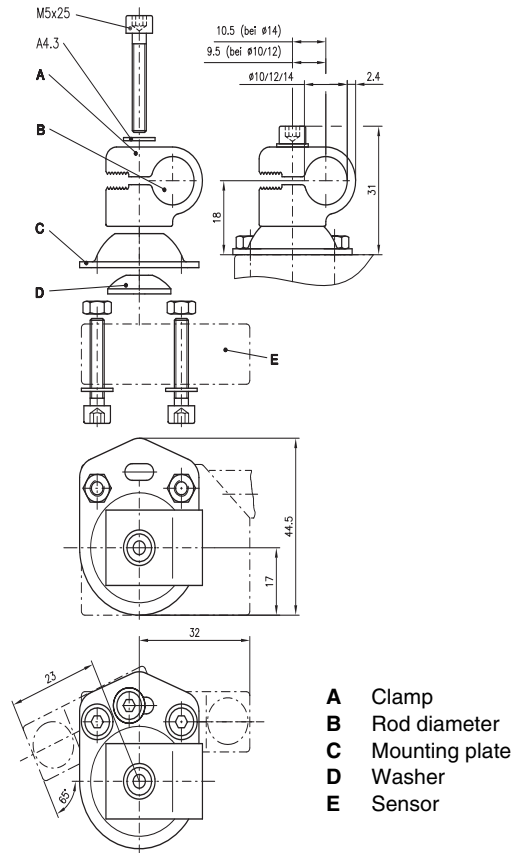


BT 8-C35x7,5 (Part No. 500 35015)

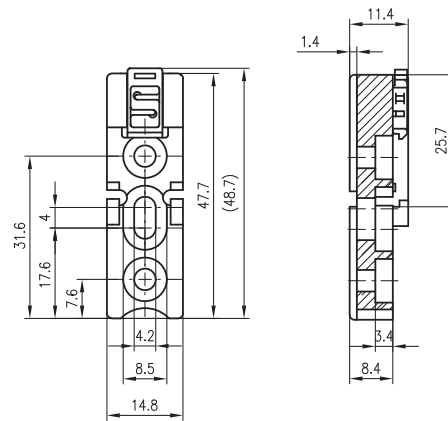


**Dimensioned drawings**

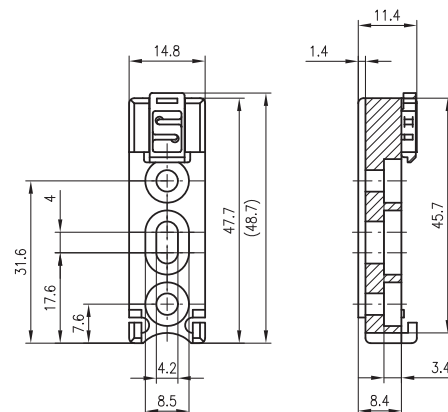
BT 8-D...



BT 8-C15



BT 8-C35x7,5

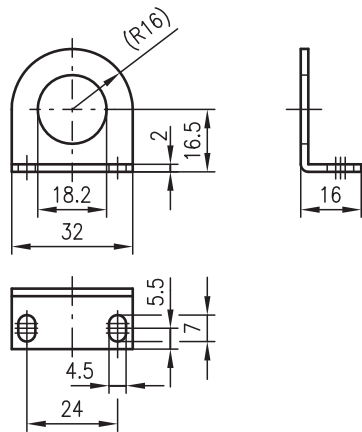


We reserve the right to make changes • USDS\_zu\_gb.fm

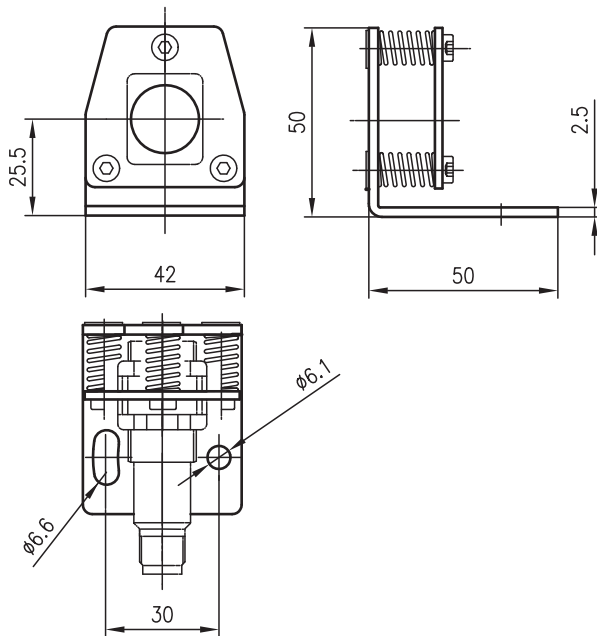


**Dimensioned drawings**

BT 318

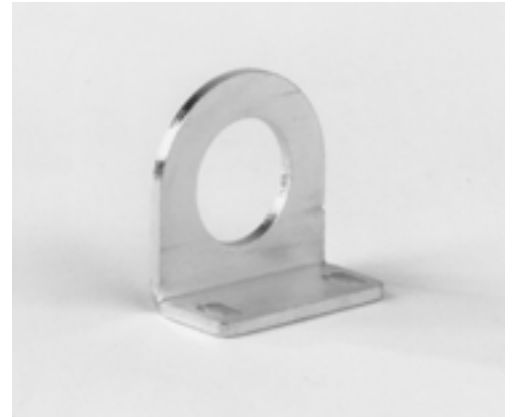


BT 318-ARH



**Mounting systems**

BT 318



BT 318-ARH

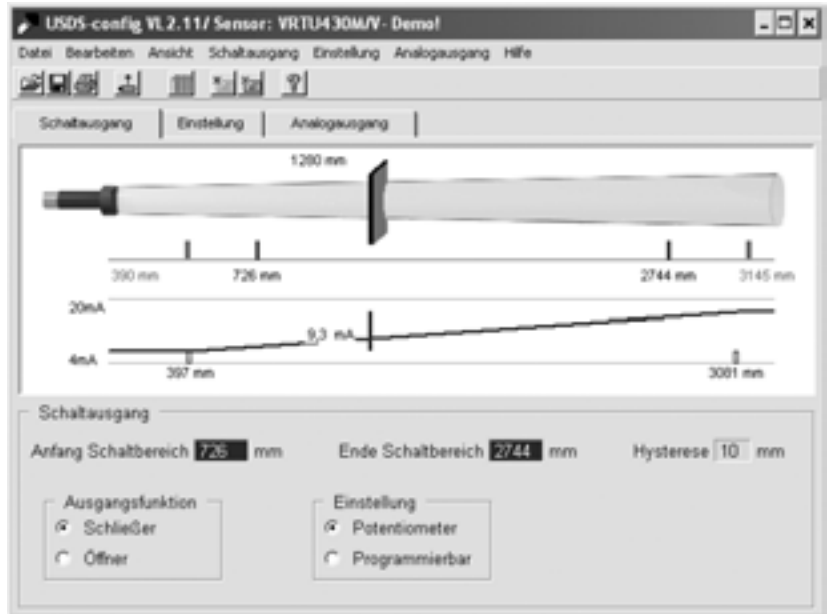


**Accessories Ultrasonic sensors**

**Configuration software**

**USDS-Config**

(free download from [www.leuze.com](http://www.leuze.com))



**Programming unit**

PGU 01 (Part No. 500 36559)



The **USDS-Config** software is supplied with the PGU 01 programming unit

We reserve the right to make changes • USDS\_zu\_gb.fm



## **Optical Electronic Sensors**

Cubic Series  
Cylindrical Sensors, Mini Sensors, Fibre Optic Amplifiers  
Measuring Sensors  
Special Sensors  
Light Curtains  
Forked Sensors  
Double Sheet Monitoring, Splice Detection  
Accessories

## **Identification Systems**

### **Data Transmission Systems**

### **Distance Measurement**

Barcode Readers  
RF IDent Systems  
Modular Connector Units  
Industrial Image Processing Systems  
Optical Data Transmission Systems  
Optical Distance Measurement/Positioning  
Hand-Held Readers

## **Safety Sensors**

### **Safety Systems**

### **Safety Services**

Safety Laser Scanners  
Safety Light Curtains  
Transceiver and Multiple Light Beam Safety Devices  
Single Light Beam Safety Devices  
AS-i-Safety Product Range  
Safety Sensor Technology for PROFIBUSDP  
Safety Switches and Safety Locking Devices  
Safety Relays and Safety Interfaces  
Sensor Accessories and Signal Devices  
Safety Engineering Software  
Machine Safety Services

Leuze electronic GmbH + Co. KG

In der Braike 1

D-73277 Owen/Germany

Phone +49(0)7021/573-0

Fax +49(0)7021/573-199

info@leuze.de

www.leuze.com