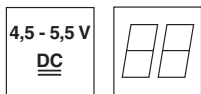


Part No. 501 09531



- Scanning upon reaching or touching the barcode
- Light, stable housing
- Built-in decoder
- Read-display
- TTL-RS 232, USB and PS/2 - interface
- Operating temperature from 0 to 50°C



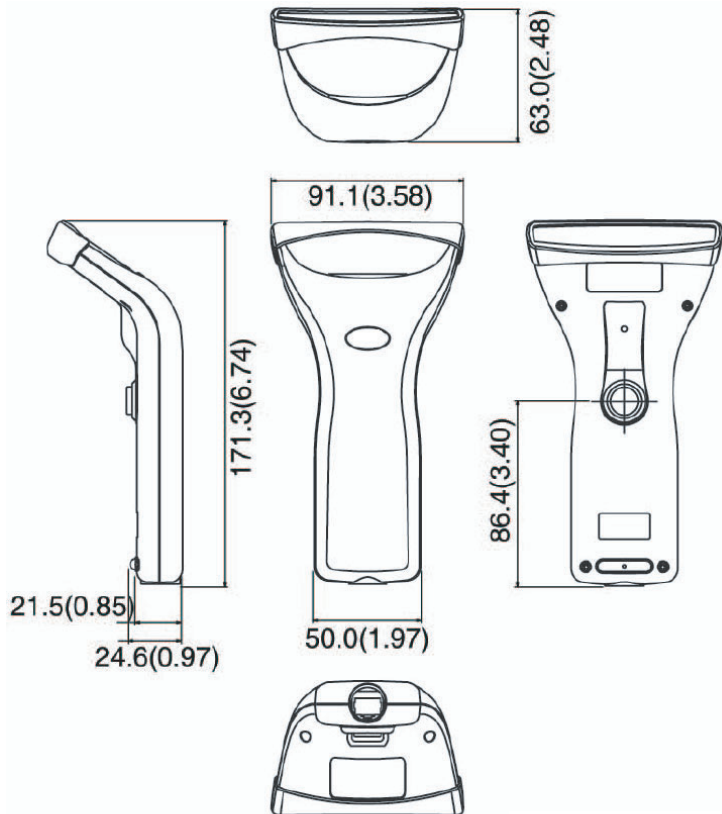
We reserve the right to make changes • Z-3010gb.fm

Accessories:

(available separately)

- **RS-232 cable** Part No. 501 08574
- **USB cable** Part No. 501 08573
- **PS/2 cable** Part No. 501 08575
- **Holder** Part No. 500 34617
- **Power supply unit 5VDC** Part No. 501 09333

Dimensioned drawing

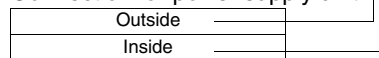


Electrical connection

for RS 232 cable / ext.

9-pin Sub-D	Signal	Z-3010 RJ41
2	TTL-TXD	10
3	TTL-RXD	6
5	GND	4
7	CTS	5
8	RTS	1
9	5VDC	8

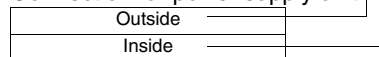
Connection for power supply unit



for USB cable

USB type A	Signal	Z-3010 RJ41
1	5VDC	8
2	Data -	
3	Data +	
4	GND	4

Connection for power supply unit



for PS/2 cable

Mini DIN connector	Mini DIN socket	Signal	Z-3010 RJ41
1	-	PC data	9
2	2	NC	
3	3	GND	4
4	4	5VDC	8
5	-	PC clock	3
6	6	NC	
-	1	KB data	2
-	5	KB clock	7

Specifications

Electrical data

Operating voltage U_B 4.5 ... 5.5VDC
 Power consumption max. 0.35W

Interfaces

Interface type TTL-RS 232, PS/2 and USB
 Trigger via button

Code types

Barcodes 2/5 Interleaved, Code 39, Code 128, Code 93, Codabar, UPC/EAN, RSS, Codablock

Optical data

Optical system 2088 element linear imager
 Contrast 30% (black/white)
 Light source integrated diffuse LED 630nm
 Reading distance 0 ... 20mm (UPC 100%)

Mechanical data

Weight 100g (without cable)
 Dimensions 171.3x91.1x63mm
 Shock resistance fall from height of 1.0m

Environmental data

Ambient temp. (operation/storage) 0°C ... +50°C/-10°C ... +70°C
 Relative humidity 5 ... 95% (non-condensing)
 Ambient light max. 3000Lux

Reading field

Z-3010	Module or cell	from	to
Barcodes	13mil / 0.33mm	0mm	20mm

Tables

Diagrams

Remarks

- Light, stable touchreader with integrated decoder for barcodes.
 Data transmission via configurable RS232 interface.
 Or keyboard wedge operation via PS2 or USB interface.

Order guide

	Designation	Part No.
Touchreader for barcodes with TTL-RS232/KBW/USB interface	Z-3010	501 08576