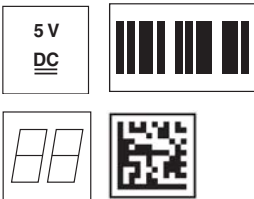
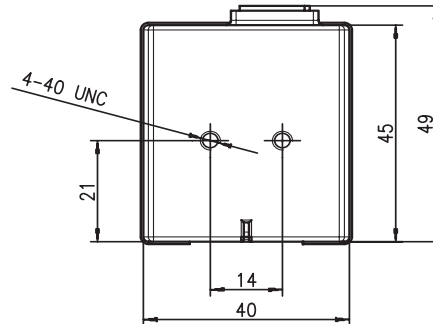
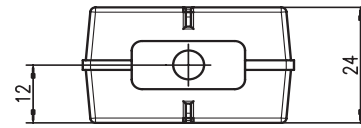




Dimensioned drawing



- Very small and compact scanner for 2D codes, bar codes and batch codes
- High resolution
- Trigger via serial command
- Built-in decoder
- Read-display
- RS 232 or USB interface
- Operating temperature from 0 through 50°C

Electrical connection

for TTL RS 232 cable / ext.

9-pin Sub-D	Signal	Connection for power supply unit	IT 4715 RJ41
SH	Shield	SH	2
2	TXD		6
3	RXD		5
5	GND	1	4
7	CTS		9
8	RTS		8
	5VDC	2	7

for TTL RS 232 cable / PIN 9

9-pin Sub-D	Signal	IT 4715 RJ41
SH	Shield	2
2	TXD	6
3	RXD	5
5	GND	4
7	CTS	9
8	RTS	8
9	5VDC	7

for USB cable

USB type A	Signal	IT 4715 RJ41
1	5VDC	7
2	Data -	10
3	Data +	2
4	GND	4

Accessories

- **Power supply unit for IT 4xxx**
Part No. 501 03403
- **TTL RS 232 cable/ext IT 4xxx**
Part No. 501 04442
- **TTL RS 232 cable/PIN 9 IT 4xxx**
Part No. 501 04586
- **USB cable for IT 4xxx**
Part No. 501 03404



We reserve the right to make changes * db_IT4715_e.backup.fm



Specifications

Electrical data

Operating voltage U_B 5VDC $\pm 10\%$
Power consumption 250 mA

Interfaces

Interface type USB, TTL level RS 232
Trigger serial command or auto-trigger mode

Code types

2D codes Data Matrix ECC 200, MaxiCode, PDF417, MicroPDF, QR Code, Aztec, Aztec Mesas, Code 49, EAN/UCC Composite
Bar codes 2/5 Interleaved, Code 39, Code 128, Code 93, Codabar, UPC/EAN, RSS, Codablock
OCR OCR-A, OCR-B

Optical data

Optical system high-resolution pixel array 640x480
Contrast 45% (black/white)
Light source integrated diffuse LED 626nm
Read distance 36 ... 315mm
Read direction omnidirectional, various tilt and rotational angles up to 45°

Mechanical data

Housing UL94V0 grade
Weight 37 g
Dimensions 49x40x24 mm

Environmental data

Ambient temp. (operation) 0°C ... +50°C
Ambient temp. (storage) -20°C ... +35°C
Relative air humidity 0 ... 95% (non-condensing)

Reading field

IT 4715 SR	Module or cell	from	to
Bar codes	8mil / 0.20mm	74mm	178mm
UPC bar code	13mil / 0.33mm	48mm	302mm
PDF 417 Code	6.6mil / 0.17mm	99mm	145mm
	10mil / 0.25mm	64mm	213mm
Data Matrix Code	15mil / 0.38mm	79mm	150mm
Maxi Code	35mil / 0.89mm	36mm	315mm
IT 4715 SF	Module or cell	from	to
Bar codes	7.5mil / 0.19mm	48mm	150mm
UPC bar code	13mil / 0.33mm	43mm	213mm
PDF 417 Code	6.6mil / 0.17mm	56mm	137mm
	10mil / 0.25mm	36mm	178mm
Data Matrix Code	15mil / 0.38mm	43mm	137mm
QR Code	15mil / 0.38mm	43mm	137mm

Order guide

2D-code scanner

IT 4715 SR-1-232	Standard Range, RS 232 interface
IT 4715 SF-1-232	Special Focus, RS 232 interface
IT 4715 SR-1-USB	Standard Range, USB interface
IT 4715 SF-1-USB	Special Focus, USB interface

Part No.

501 04049
501 04050
501 04051
501 04052

Tables

Diagrams

Remarks

Very small and compact scanner for bar codes, with housing. Data transmission via configurable RS 232 interface or USB interface with keyboard emulation or COM port emulation.