

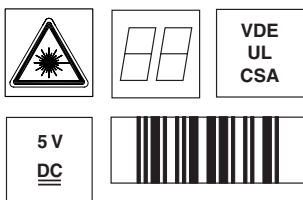
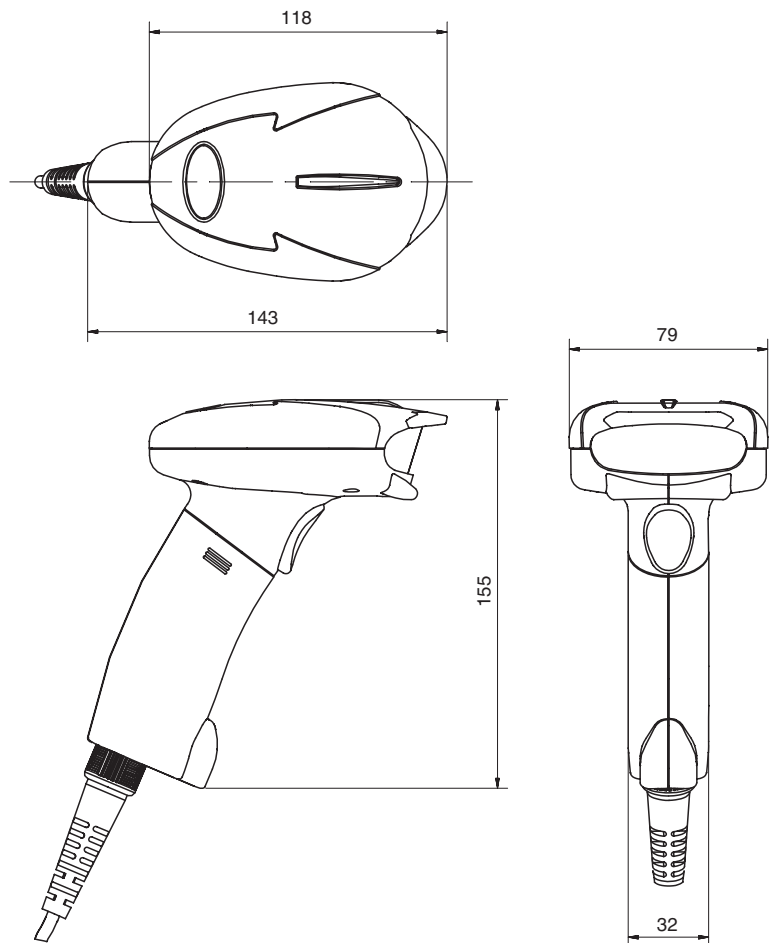


Z-3071 WA

Laser Handheld Scanner



Dimensioned drawing



- Reading distance up to 560 mm
- Robust trigger button
- Build-in Decoder
- Ergonomical and robust housing for different applications
- With RS232, USB und PS2/AT-Interface
- Operating temperature 0°C ... 40°C



Electrical connection

Pin assignment

of 9-pole female D-Sub connector for Part No. 501 00054 (RS 232 cable)

Pin number	Signal	Meaning
2	TX	Transmit Data
3	RX	Receive Data
5	GND	Signal Ground
7	CTS	Clear to send
8	RTS	Request to send
9	+5VDC	5 Volts DC

Assignment

of plug-in connector (power supply)

Connection	Signal	Meaning
inside	+9VDC	9 Volts DC
outside	GND	Ground

Accessories:

(available separately)

- PS2/AT cable for Z-3071 WA
Part No. 501 00053
- RS 232 cable for Z-3071 WA
Part No. 501 00054
- USB cable for Z-3071 WA
Part No. 501 00051
- Holder for Z-3071 WA
Part No. 501 00052
- Power supply PWO-90804-VD
Part No. 500 34618

Änderungen vorbehalten • z-3071wa_e.fm



Specifications

Electrical data

Operating voltage U_B	5VDC \pm 5%
Current consumption	160mA
Laser class	IEC 60825-1: 1993 + A2: 2001 Class 1 CDRH: U.S. 21 CFR 1040.10 Class IIa

Interfaces

Interface type	Keyboard-Wedge, RS 232, USB
Emulation	IBM PC/XT/AT, IBM PS/2 Model 30-80 and others

Bar codes

Code types	Code 39, Code 39 Voll-ASCII, 2/5 I, Code 128, UPC A, UPC E, EAN 8, EAN 13, JAN 8, Jan 13, ISBN/ISSN, IATA, MSI Plessey, Codabar, Code 93
------------	--

Optical data

Optical system	wide angle laser scan engine
Resolution	min. 0.127mm
Scan angle	53°
PCS value	\geq 35%
Light source	laser diode (wavelength 650nm)
Reading speed	36 readings/s
Reading distance	max. 560mm (100% EAN, PCS = 90)

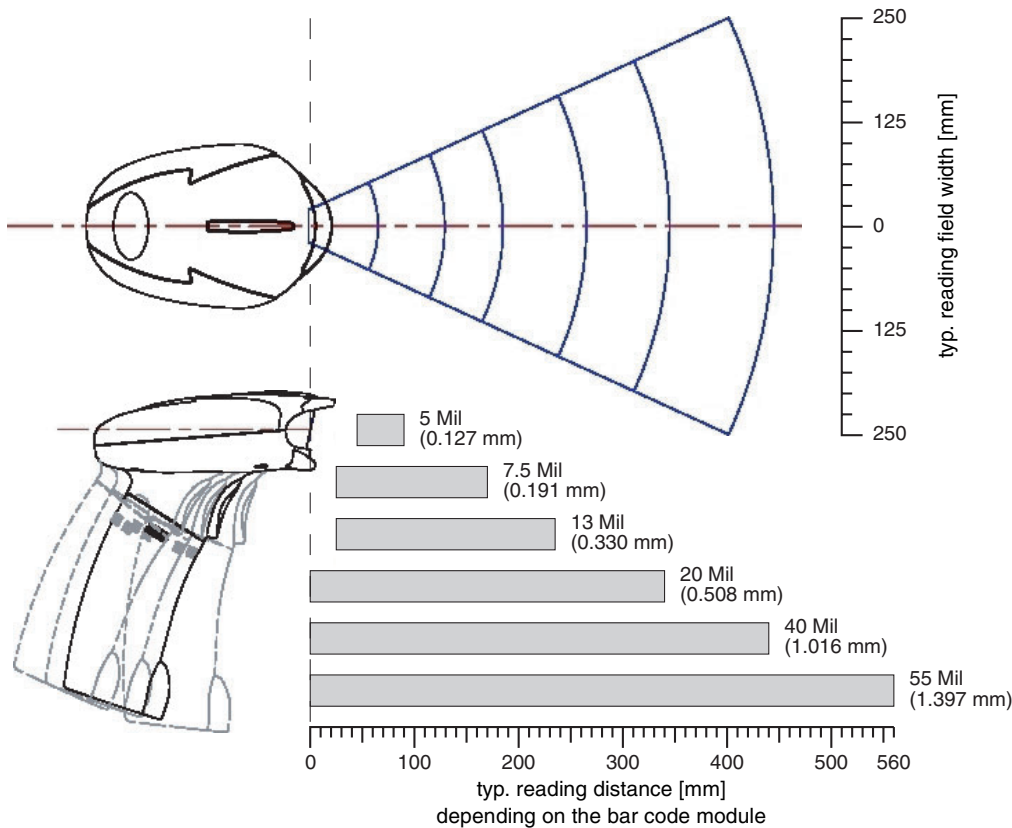
Mechanical data

Housing	plastic ABS
Weight	180g without cable
Cable length	approx. 2m
Connector	quick-lock connector
Shock resistance	1m fall on concrete floor

Environmental data

Ambient temperature (operation)	0°C ... +40°C
Air humidity	10 ... 90% rel. humidity (non-condensing)

Lesekurve



Tables

Remarks



Order guide

	Designation	Part No.
Laser wide angle handheld scanner	Z-3071 WA	501 00050