

## Technical data sheet

## Tower light element

Part no.: 50130437

E7-MW1

### Contents

- Technical data
- Dimensioned drawings
- Electrical connection
- Notes



For illustration purposes only



## Technical data

### Basic data

Series	E7
--------	----

### Connection

#### Connection 1

Type of connection	Terminal
Type of terminal	Tension spring technology

### Mechanical data

Design	Cylindrical
Dimension (Ø x L)	70 mm x 81 mm
Housing material	Plastic
Net weight	153 g
Housing color	Black
Design of mounting device	Bracket mounting
Type of fastening, at system	Screw type / vertical
Lens modules	Max. 5 pieces
Module holder	One side
Number of end caps	1 Piece(s)

### Environmental data

Ambient temperature, operation	-30 ... 60 °C
--------------------------------	---------------

### Certifications

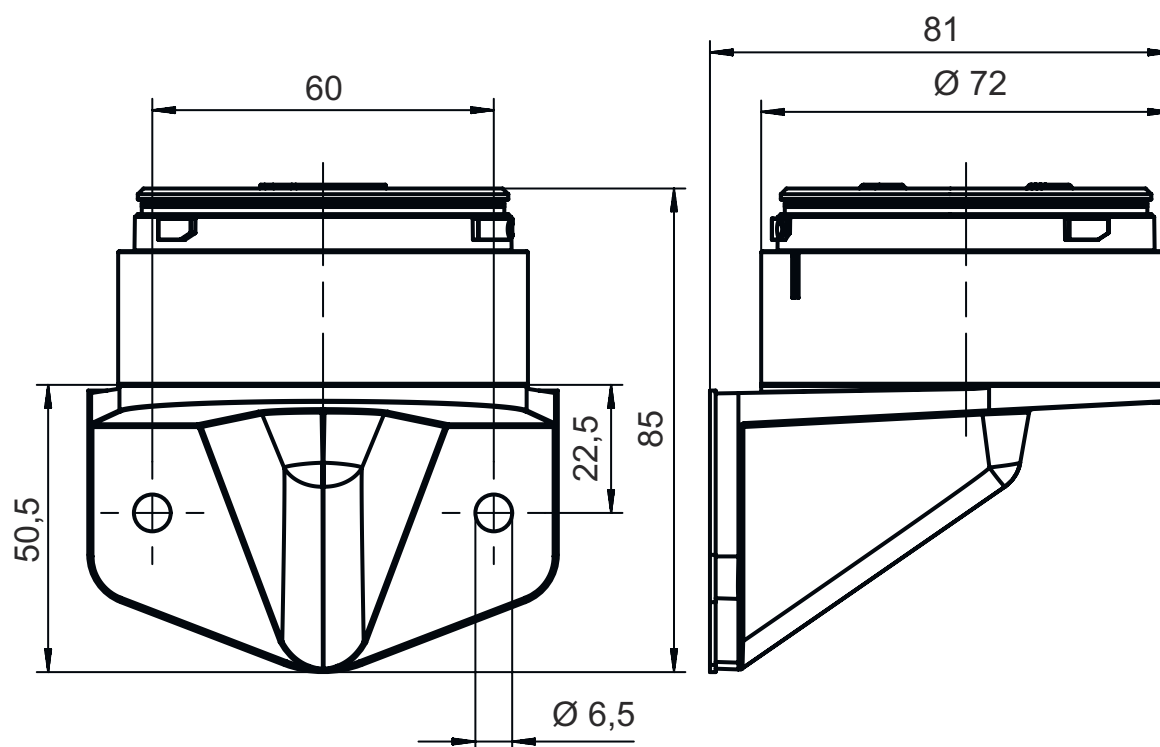
Degree of protection	IP 66
----------------------	-------

### Classification

Customs tariff number	85318070
ECLASS 5.1.4	27371235
ECLASS 8.0	27371235
ECLASS 9.0	27371232
ECLASS 10.0	27371235
ECLASS 11.0	27371235
ECLASS 12.0	27371235
ECLASS 13.0	27371235
ECLASS 14.0	27371235
ECLASS 15.0	27371235
ECLASS 16.0	27371235
ETIM 5.0	EC001154
ETIM 6.0	EC001154
ETIM 7.0	EC001154
ETIM 8.0	EC001154
ETIM 9.0	EC001154
ETIM 10.0	EC001154
UNSPSC 26.08	32151500

## Dimensioned drawings

All dimensions in millimeters



## Electrical connection

### Connection 1

Type of connection	Terminal
Type of terminal	Tension spring technology

## Notes



### Observe intended use!



- ⚡ This product is not a safety sensor and is not intended as personnel protection.
- ⚡ The product may only be put into operation by competent persons.
- ⚡ Only use the product in accordance with its intended use.



### For UL applications:



- ⚡ For UL applications, use is only permitted in Class 2 circuits in accordance with the NEC (National Electric Code).