

## Technical data sheet

### Fiber optic amplifier

Part no.: 50151463

LV462C/24

#### Contents

- Technical data
- Dimensioned drawings
- Electrical connection
- Notes



For illustration purposes only



## Technical data

### Basic data

Series	462C
Suitable for	Glass fiber optics Plastic fiber optics

### Optical data

Light source	LED, Red
Wavelength	623 nm
Transmitted-signal shape	Pulsed

### Electrical data

Protective circuit	Polarity reversal protection Short circuit protected
Fiber optic connection	Clamp

### Performance data

Supply voltage $U_B$	12 ... 24 V, DC
Residual ripple	0 ... 10 %, From $U_B$
Open-circuit current	0 ... 50 mA

### Outputs

Number of digital switching outputs	2 Piece(s)
-------------------------------------	------------

### Switching outputs

Type	Digital switching output
Voltage type	DC
Switching current, max.	100 mA
Switching voltage	high: $\geq(U_B - 2.5V)$ low: $\leq 2.5 V$

### Switching output 1

Switching element	Transistor, NPN
Switching principle	Light/dark switchable

### Switching output 2

Switching element	Transistor, PNP
Switching principle	Light/dark switchable

### Time behavior

Switching frequency PO1 - PO2	250 Hz
Switching frequency PO3 - PO5	1,500 Hz
Response time PO1 - PO2	2 ms
Response time PO3 - PO5	0.33 ms
Switch-on/-off delay	Switch-on/-off delay
Readiness delay	500 ms

### Connection

Number of connections	1 Piece(s)
-----------------------	------------

### Connection 1

Function	Signal OUT Voltage supply
Type of connection	Cable
Cable length	2,000 mm
Cable color	Black
Number of conductors	4 -wire

### Mechanical data

Design	Cubic
Dimension (W x H x L)	10 mm x 33 mm x 79.4 mm
Housing material	Plastic
Plastic housing	ABS
Net weight	65 g
Housing color	Black
Type of fastening	Via optional mounting device

### Operation and display

Type of display	LED
Number of LEDs	1 Piece(s)
Operational controls	Control buttons
Function of the operational control	Sensitivity adjustment Switching range adjustment

### Environmental data

Ambient temperature, operation	-10 ... 60 °C
Relative humidity (non-condensing)	35 ... 85 %

### Certifications

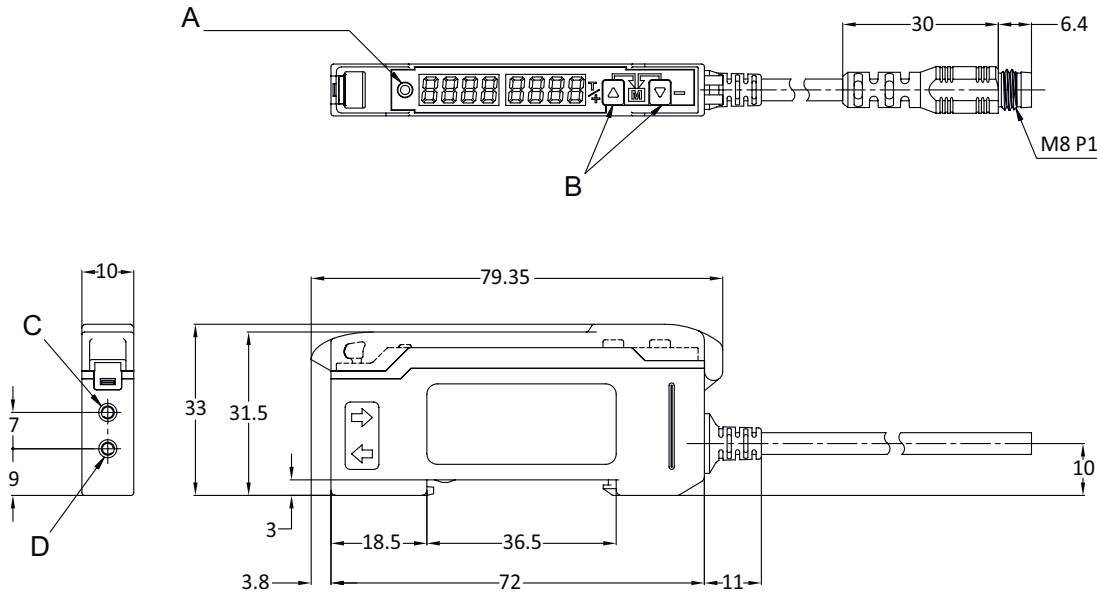
Degree of protection	IP 50
Standards applied	IEC 60947-5-2

### Classification

Customs tariff number	85423390
ECLASS 5.1.4	27270905
ECLASS 8.0	27270905
ECLASS 9.0	27270905
ECLASS 10.0	27270905
ECLASS 11.0	27270905
ECLASS 12.0	27270905
ECLASS 13.0	27270905
ECLASS 14.0	27270905
ETIM 5.0	EC002651
ETIM 6.0	EC002651
ETIM 7.0	EC002651
ETIM 8.0	EC002651
ETIM 9.0	EC002651

# Dimensioned drawings

All dimensions in millimeters



- A LED indicator
- B Sensitivity adjustment
- C Connection for fiber optics receiver
- D Connection for fiber optics transmitter

## Electrical connection

### Connection 1

Function	Signal OUT
	Voltage supply
Type of connection	Cable
Cable length	2,000 mm
Cable color	Black
Number of conductors	4 -wire

### Conductor color

### Conductor assignment

Brown	V+
Black	OUT 1
White	OUT 2
Blue	GND

## Notes

### Observe intended use!



- ⚠ This product is not a safety sensor and is not intended as personnel protection.
- ⚠ The product may only be put into operation by competent persons.
- ⚠ Only use the product in accordance with its intended use.