

## Technical data sheet

### Cover hood

Part no.: 50155658

Cover SR 1100i-D

#### Contents

- Technical data
- Dimensioned drawings



For illustration purposes only

## Technical data

### Basic data

Type	Diffuser
Suitable for	IVS 1100i & DCR 1100i

### Optical data

Transmission	90 %
--------------	------

### Mechanical data

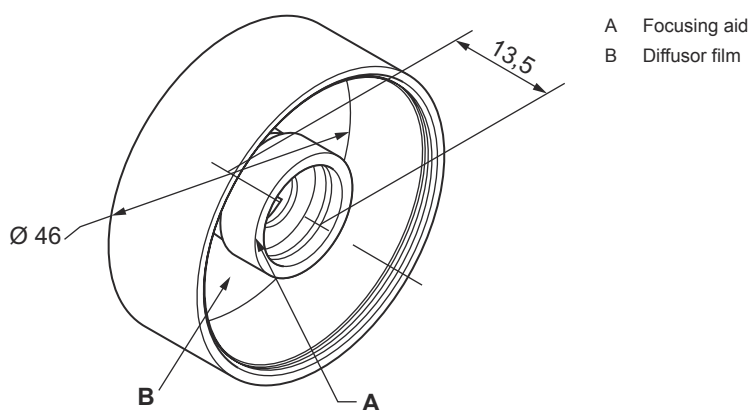
Design	Ring
Thickness	13.5 mm
Outer diameter	46 mm
Net weight	9 g
Material	PC (optical film)
	PMMA (lens cover)
	TPE/U (focus aid)
	TPE/U (seal & perimeter)

### Classification

Customs tariff number	90022000
ECLASS 5.1.4	27310203
ECLASS 8.0	27310203
ECLASS 9.0	27310203
ECLASS 10.0	27273603
ECLASS 11.0	27273603
ECLASS 12.0	27273603
ECLASS 13.0	27273603
ECLASS 14.0	27273603
ECLASS 15.0	27273603
ECLASS 16.0	27273603
ETIM 5.0	EC002498
ETIM 6.0	EC003015
ETIM 7.0	EC003015
ETIM 8.0	EC003015
ETIM 9.0	EC003015
ETIM 10.0	EC003015

## Dimensioned drawings

All dimensions in millimeters



- A Focusing aid
- B Diffusor film