

## Technical data sheet

### Adapter cable

Part no.: 549950

CB-MSI/D9-10000

#### Contents

- Technical data
- Electrical connection

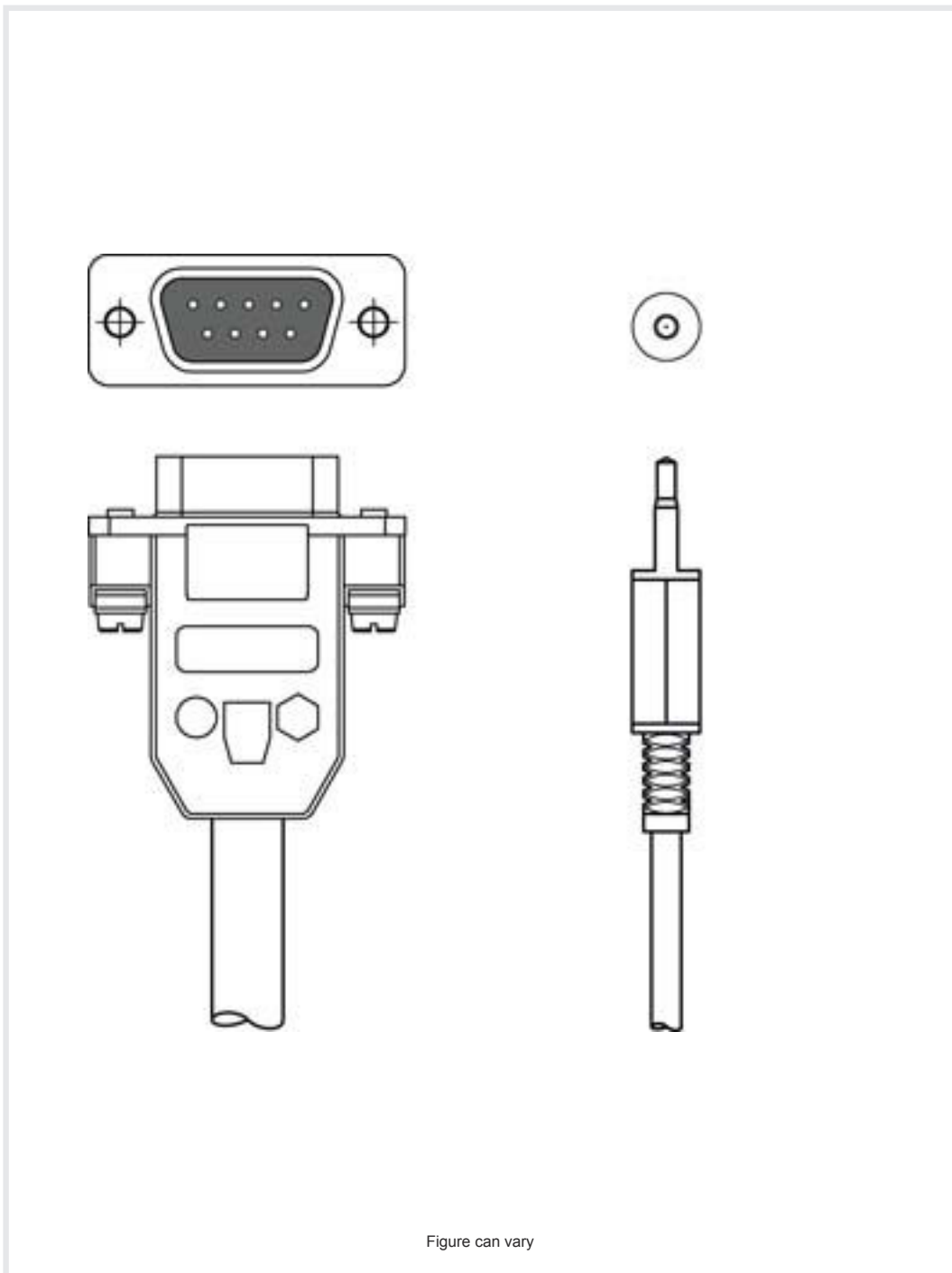


Figure can vary

## Technical data

### Connection

#### Connection 1

Type of connection	Sub-D
Type	Female
No. of pins	9 -pin
Version	Axial

#### Connection 2

Type of connection	Jack plug
Version	Axial
Diameter	2.5 mm

#### Cable properties

Number of conductors	2 Piece(s)
Wire cross section	0.14 mm <sup>2</sup>
Sheathing color	Black
Shielded	Yes
Cable design	Interconnection cable
Cable diameter (external)	4 mm
Cable length	10,000 mm
Sheathing material	PUR
Suitability for drag chains	No

### Classification

Customs tariff number	85444290
eCl@ss 5.1.4	27279201
eCl@ss 8.0	27279218
eCl@ss 9.0	27060311
eCl@ss 10.0	27060313
eCl@ss 11.0	27060313
ETIM 5.0	EC001855
ETIM 6.0	EC001855
ETIM 7.0	EC001855

## Electrical connection

### Connection 1

Type of connection	Sub-D
Type	Female
No. of pins	9 -pin
Version	Axial

### Connection 2

Type of connection	Jack plug
Version	Axial
Diameter	2.5 mm
No. of pins	2 -pin