

## Technical data sheet

## Tower light element

Part no.: 50135465

A7-MP1-400

### Contents

- Technical data
- Dimensioned drawings
- Electrical connection
- Notes
- Accessories



For illustration purposes only



## Technical data

### Basic data

Series	A7
--------	----

### Connection

#### Connection 1

Type of connection	Terminal
Type of terminal	Tension spring technology

### Mechanical data

Design	Cylindrical
Dimension (Ø x L)	70 mm x 432 mm
Housing material	Metal
	Plastic
Net weight	294 g
Housing color	Black
	Gray
Design of mounting device	Base mounting
Type of fastening, at system	Screw type / horizontal
Module holder	One side
Number of end caps	1 Piece(s)

### Environmental data

Ambient temperature, operation	-10 ... 60 °C
--------------------------------	---------------

### Certifications

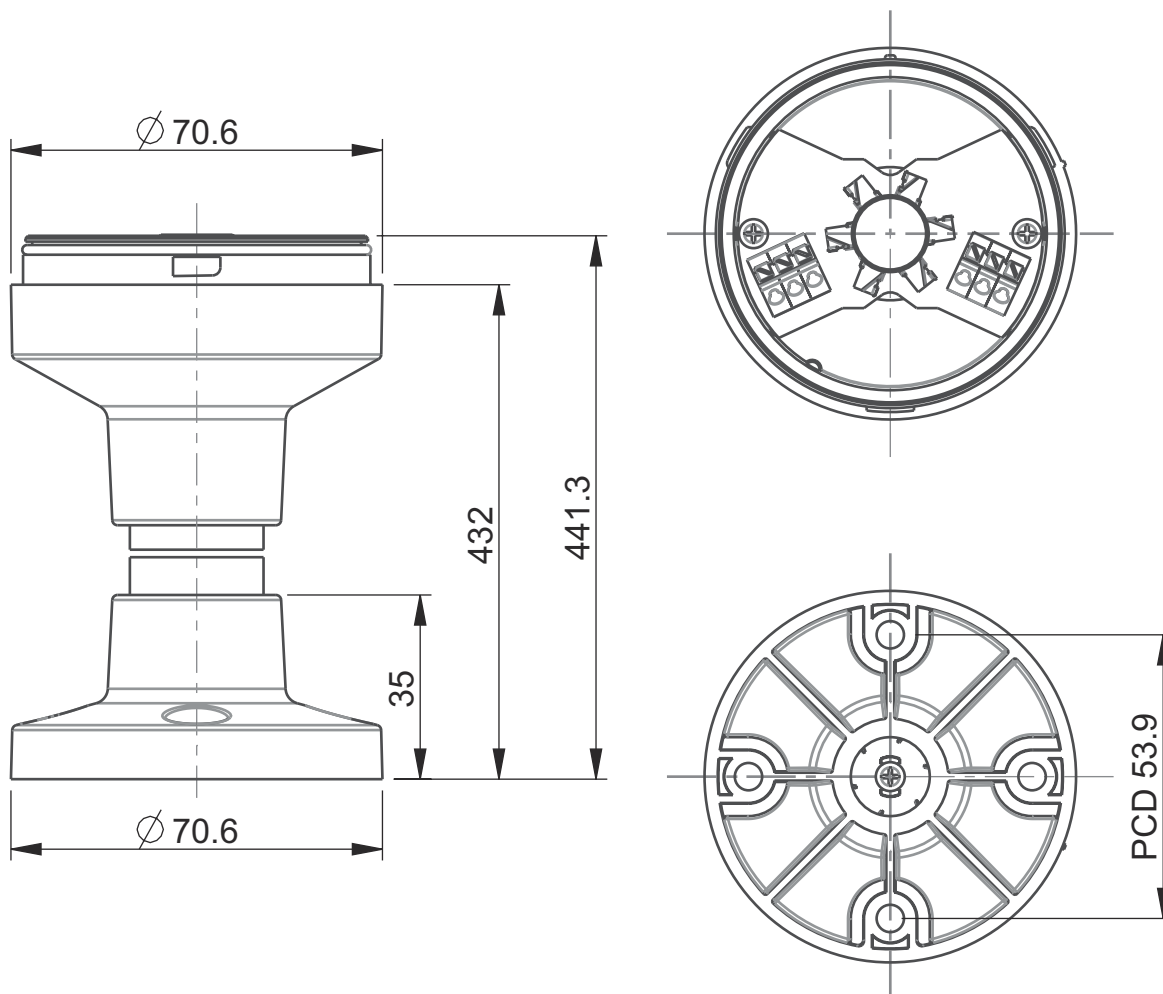
Degree of protection	IP 66
----------------------	-------

### Classification

Customs tariff number	85318070
ECLASS 5.1.4	27371234
ECLASS 8.0	27371234
ECLASS 9.0	27371234
ECLASS 10.0	27371234
ECLASS 11.0	27371234
ECLASS 12.0	27371234
ECLASS 13.0	27371234
ECLASS 14.0	27371234
ETIM 5.0	EC001259
ETIM 6.0	EC001259
ETIM 7.0	EC001259
ETIM 8.0	EC001259
ETIM 9.0	EC001259

## Dimensioned drawings

All dimensions in millimeters



## Electrical connection

### Connection 1

Function	Voltage supply
Type of connection	Terminal
Type of terminal	Tension spring technology
No. of pins	6 -pin

Terminal	Assignment
B	Blue
G	Green
A	orange/yellow
R	Red
0 V	GND
W	white/buzzer

## Notes




**Observe intended use!**






- ⚠ This product is not a safety sensor and is not intended as personnel protection.
- ⚠ The product may only be put into operation by competent persons.
- ⚠ Only use the product in accordance with its intended use.

## Accessories

### Muting - Mounting systems

	Part no.	Designation	Article	Description
	50142896	A7-MW2	Tower light element	Design: L shape Version: Angle, L-shape Fastening, at system: Through-hole mounting

## General

	Part no.	Designation	Article	Description
	50135462	A7-V1-BZ1-M	Tower light element	Signaling: Acoustic Current consumption, max.: 70 mA Design: Cylindrical Diameter: 70 mm Fastening: Bayonet system Operational controls: DIP switch, 225° potentiometer Ambient temperature: -10 ... 60 °C Degree of protection: IP 66 Tone type: Continuous or pulse tone Sound pressure: 100 dB Number of tones: 8 Piece(s)
	50138151	A7-V1-BZ2-S	Tower light element	Signaling: Acoustic Current consumption, max.: 30 mA Design: Cylindrical Diameter: 70 mm Fastening: Bayonet system Operational controls: 225° potentiometer Ambient temperature: -10 ... 60 °C Degree of protection: IP 66 Tone type: Continuous tone Sound pressure: 105 dB Number of tones: 1 Piece(s)
	50135457	A7-V1-DS-R-T	Tower light element	Signaling: Optical Current consumption, max.: 50 mA Design: Cylindrical Diameter: 70 mm Fastening: Bayonet system Illuminant: LED/24V Signal image: Continuous light Lens color: Red Angle of radiation: 360° Ambient temperature: -10 ... 60 °C Degree of protection: IP 66

## Accessories

### Note



🔗 A list with all available accessories can be found on the Leuze website in the Download tab of the article detailed page.