

## Technical data sheet

### Mounting system

Part no.: 50120426

BTU 200M.5-D12

#### Contents

- Technical data
- Dimensioned drawings



For illustration purposes only

## Technical data

### Basic data

Contains	2x M3 mounting nut
	2x M3 x 18 screw
	2x position washers
Suitable for product group	Switching sensors, cubic
Suitable for	18 series sensors
	25B series sensors
	28 series sensors
	3B series sensors
	3C series sensors
	55 series sensors

### Mechanical data

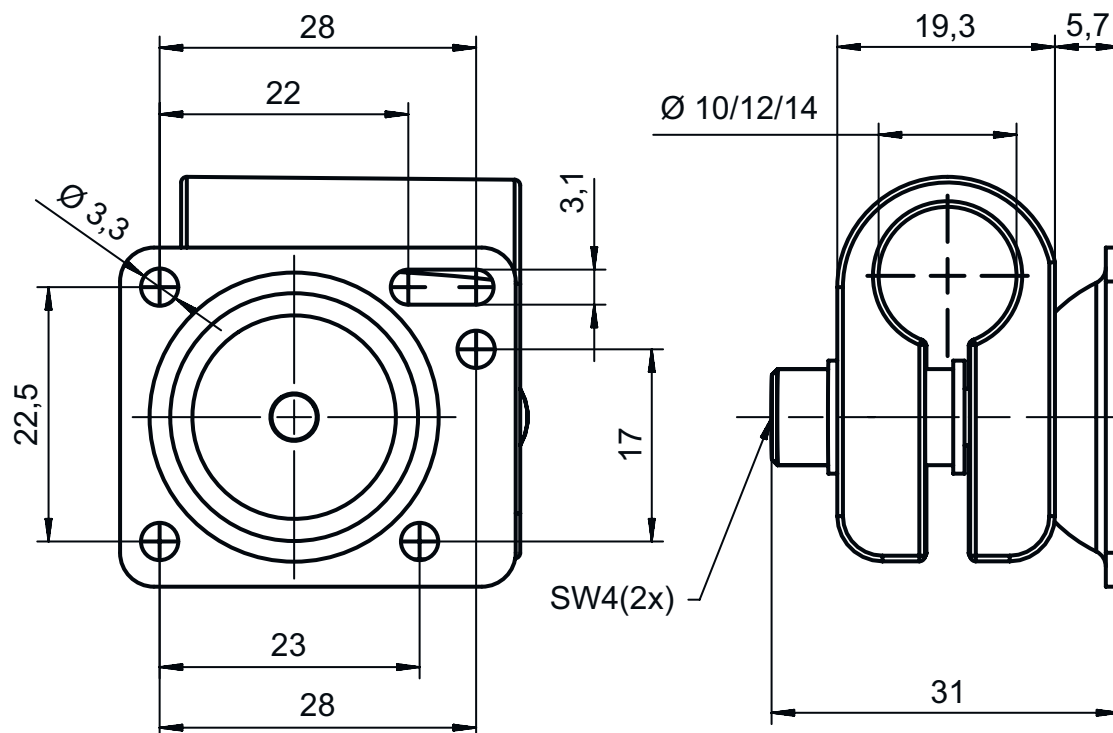
Standard designation, stainless steel mounting device	V2A
Net weight	95 g
Design of mounting device	Mounting system
Type of fastening, at system	For 12 mm rod
Type of fastening, at device	Screw type
	Suited for M3 screws
Type of mounting device	Adjustable
	Clampable
	Turning, 360°
Mounting device material	Stainless steel

### Classification

Customs tariff number	76169990
ECLASS 5.1.4	27279202
ECLASS 8.0	27279202
ECLASS 9.0	27273701
ECLASS 10.0	27273701
ECLASS 11.0	27273701
ECLASS 12.0	27273701
ECLASS 13.0	27273701
ECLASS 14.0	27273701
ECLASS 15.0	27273701
ECLASS 16.0	27273701
ETIM 5.0	EC002498
ETIM 6.0	EC003015
ETIM 7.0	EC003015
ETIM 8.0	EC003015
ETIM 9.0	EC003015
ETIM 10.0	EC003015
UNSPSC 26.08	31242100

## Dimensioned drawings

All dimensions in millimeters



## Accessories

### Note



A list with all available accessories can be found on the Leuze website in the Download tab of the article detailed page.