

## Technical data sheet

### Protective screen

Part no.: 347076

MLC-PS900

#### Contents

- Technical data
- Dimensioned drawings
- Notes
- Accessories



For illustration purposes only

## Technical data

### Basic data

<b>Contains</b>	MLC-PS protective screen without bracket (bracket must be ordered separately)
<b>Application</b>	Protection of the device front panel in harsh environmental conditions
<b>Suitable for</b>	MLC 500, MLC 300 safety light curtains

### Protective field data

<b>Protective field height</b>	900 mm
--------------------------------	--------

### Mechanical data

<b>Height</b>	898 mm
<b>Net weight</b>	111 g
<b>Protective screen material</b>	PMMA, clear

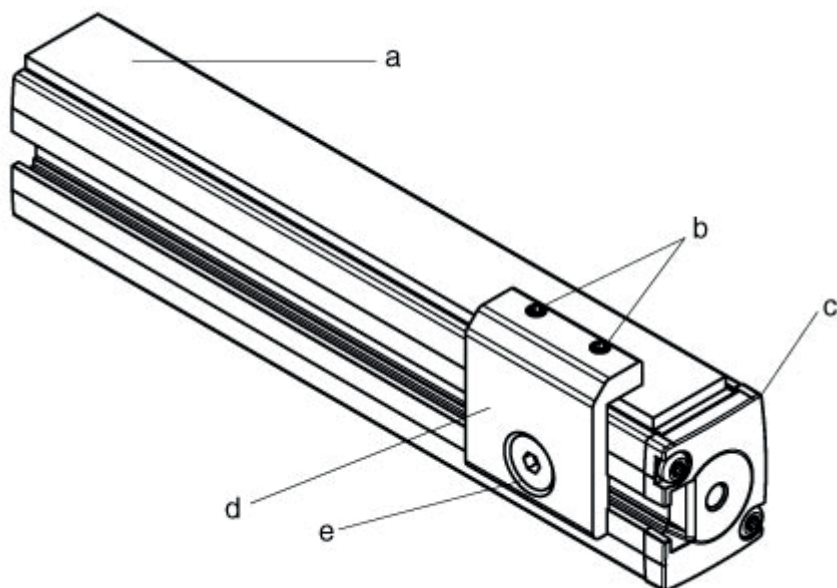
### Classification

<b>Customs tariff number</b>	39205100
<b>ECLASS 5.1.4</b>	27279290
<b>ECLASS 8.0</b>	27279290
<b>ECLASS 9.0</b>	27279090
<b>ECLASS 10.0</b>	27273792
<b>ECLASS 11.0</b>	27273792
<b>ECLASS 12.0</b>	27273792
<b>ECLASS 13.0</b>	27273792
<b>ECLASS 14.0</b>	27273792
<b>ECLASS 15.0</b>	27273792
<b>ECLASS 16.0</b>	27273792
<b>ETIM 5.0</b>	EC002498
<b>ETIM 6.0</b>	EC003015
<b>ETIM 7.0</b>	EC003015
<b>ETIM 8.0</b>	EC003015
<b>ETIM 9.0</b>	EC003015
<b>ETIM 10.0</b>	EC003015
<b>UNSPSC 26.08</b>	31242100

# Dimensioned drawings

All dimensions in millimeters

- a Protective screen
- b M4 threaded pin
- c MLC transmitter or receiver
- d Mounting bracket
- e Countersunk screw M6 x 10 and slotted nut



## Notes


### NOTE



The use of the protective screen reduces the range of the safety light curtain by approx. 10% per screen.

## Accessories

### Mounting technology - Mounting brackets

	Part no.	Designation	Article	Description
	429038 *	MLC-2PSF	Mounting bracket set	Type of fastening: Clampable Mounting device material: Metal

\* Necessary accessories, please order separately

### Note



A list with all available accessories can be found on the Leuze website in the Download tab of the article detailed page.