

Translation of original operating instructions

MLC 530 Safety Light Curtains



© 2024

Leuze electronic GmbH + Co. KG

In der Braike 1

73277 Owen / Germany

Phone: +49 7021 573-0

Fax: +49 7021 573-199

www.leuze.com

info@leuze.com

1	About this document	6
1.1	Used symbols and signal words	6
1.2	Checklists.....	7
2	Safety	8
2.1	Intended use and foreseeable misuse	8
2.1.1	Intended use.....	8
2.1.2	Foreseeable misuse	9
2.2	Necessary competencies	9
2.3	Responsibility for safety	10
2.4	Disclaimer	10
3	Device description	11
3.1	Device overview of the MLC family	11
3.2	Connection technology	13
3.3	Display elements.....	13
3.3.1	Operating indicators on the MLC 500 transmitter.....	13
3.3.2	Operating indicators on the MLC 530 receiver	14
3.3.3	Alignment display	16
4	Functions	17
4.1	Start/restart interlock RES	17
4.2	EDM contactor monitoring	18
4.3	Transmission channel changeover	18
4.4	Operating range selection	19
4.5	Scan mode	19
4.6	Linkage	20
4.6.1	Contact-based safety circuit	20
4.6.2	Linkage of electronic safety-related switching outputs	20
4.7	Blanking, reduced resolution.....	21
4.7.1	Fixed blanking	21
4.7.2	Floating blanking	23
4.7.3	Controlling blanking	24
4.7.4	Reduced resolution.....	24
4.8	Timing controlled muting	25
4.8.1	Partial muting.....	27
4.8.2	Muting restart.....	27
4.8.3	Muting override.....	27
4.9	Error reset	28
5	Applications	29
5.1	Point of operation guarding	29
5.1.1	Blanking.....	30
5.2	Access guarding	30
5.2.1	Muting.....	30
5.3	Danger zone guarding	31



6	Mounting	32
6.1	Arrangement of transmitter and receiver	32
6.1.1	Calculation of safety distance S	33
6.1.2	Calculation of safety distance if protective fields act orthogonally to the approach direction ...	33
6.1.3	Calculation of safety distance S for parallel approach to the protective field	39
6.1.4	Minimum distance to reflective surfaces.....	41
6.1.5	Resolution and safety distance for fixed and floating blanking as well as reduced resolution .	42
6.1.6	Preventing mutual interference between adjacent devices	44
6.2	Arrangement of the muting sensors	45
6.2.1	Basic information	45
6.2.2	Selecting optoelectronic muting sensors	45
6.2.3	Minimum distance for optoelectronic muting sensors.....	46
6.2.4	Arrangement of the muting sensors for timing controlled 2-sensor muting	46
6.2.5	Arrangement of the muting sensors for timing controlled 2-sensor muting especially for exit applications.....	49
6.3	Mounting the safety sensor	50
6.3.1	Suitable mounting locations.....	50
6.3.2	Definition of directions of movement	51
6.3.3	Fastening via BT-NC60 sliding blocks.....	51
6.3.4	Fastening via BT-2HF swivel mount.....	51
6.3.5	Fastening via BT-2SB10 swiveling mounting brackets	52
6.3.6	One-sided mounting on the machine table	53
6.4	Mounting accessories	54
6.4.1	AC-SCM8 sensor connection module	54
6.4.2	Deflecting mirror for multiple-side guarding.....	55
6.4.3	MLC-PS protective screen.....	56
7	Electrical connection	57
7.1	Pin assignment transmitter and receiver.....	58
7.1.1	MLC 500 transmitter	58
7.1.2	MLC 530 receiver	60
7.2	AC-SCM8 sensor connection module	60
7.3	Operating mode 1	61
7.4	Operating mode 2	64
7.5	Operating mode 3	66
7.6	Operating mode 4	68
7.7	Operating mode 6	70
8	Starting up the device	72
8.1	Switching on.....	72
8.2	Aligning the sensor	72
8.3	Aligning of deflecting mirrors with the laser alignment aid	73
8.4	Unlocking start/restart interlock, muting-restart	74
8.5	Teaching of fixed blanking areas	74
8.6	Teaching of floating blanking areas	75
9	Testing	76
9.1	Before commissioning and following modifications.....	76
9.1.1	Checklist for integrator – to be performed prior to commissioning and following modifications	76
9.2	To be performed periodically by competent persons	78
9.3	Periodically by the operator	78
9.3.1	Checklist – periodically by the operator.....	79
10	Maintenance	80

11	Troubleshooting	81
11.1	What to do in case of failure?	81
11.2	Operating indicators of the LEDs	81
11.3	Error messages 7-segment display	82
11.4	Muting indicator.....	85
12	Disposing	86
13	Service and support	87
14	Technical data	88
14.1	General specifications.....	88
14.2	Electromagnetic compatibility	90
14.3	Dimensions, weight, response time	91
14.4	Dimensioned drawings: Accessories	93
15	Order guide and accessories	96
16	EC Declaration of Conformity	104




1 About this document

1.1 Used symbols and signal words

Tab. 1.1: Warning symbols and signal words

	Symbol indicating dangers to persons
	Symbol indicating possible property damage
NOTE	Signal word for property damage Indicates dangers that may result in property damage if the measures for danger avoidance are not followed.
CAUTION	Signal word for minor injuries Indicates dangers that may result in minor injury if the measures for danger avoidance are not followed.
WARNING	Signal word for serious injury Indicates dangers that may result in severe or fatal injury if the measures for danger avoidance are not followed.
DANGER	Signal word for life-threatening danger Indicates dangers with which serious or fatal injury is imminent if the measures for danger avoidance are not followed.

Tab. 1.2: Other symbols

	Symbol for tips Text passages with this symbol provide you with further information.
	Symbol for action steps Text passages with this symbol instruct you to perform actions.
	Symbol for action results Text passages with this symbol describe the result of the preceding action.

Tab. 1.3: Terms and abbreviations

Response time	The response time of the protective device is the maximum time between the occurrence of the event that results in activation of the safety sensor and the provision of the switching signal at the interface of the protective device (e.g., OFF state of the OSSD pair).
AOPD	Active Optoelectronic Protective Device (A ctive O ptoelectronic P rotective D evice)
Blanking	Deactivation of the protective function of individual beams or beam areas with monitoring for interruption
ESPE	E lectro-sensitive p rotective e quipment
CS	Switching signal from a control (C ontroller S ignal)
EDM	Contacto monitoring (E xternal D evice M onitoring)
FG	Function group (F unction G roup)
LED	LED, display element in transmitter and receiver
MS1, MS2	Muting sensor 1, 2
MLC	Brief description of the safety sensor, consisting of transmitter and receiver
MTTF _d	Mean time to dangerous failure (M ean T ime T o dangerous F ailure)
Muting	Temporary automatic suppression of the safety functions
OSSD	Safety-related switching output (O utput S ignal S witching D evice)
PFH _d	Probability of a dangerous failure per hour (P robability of dangerous F ailure per H our)
PL	P erformance L evel
Reduced resolution	Reduction of the detection capability of the protective field without monitoring for tolerating small objects in the protective field
RES	Start/restart interlock (Start/ R ESstart interlock)
Scan	Consecutive scans of the protective field from the first to the last beam
Safety sensor	System consisting of transmitter and receiver
SIL	S afety I ntegrity L evel
State	ON: device intact, OSSD switched on OFF: device intact, OSSD switched off Locking: device, connection or control / operation faulty, OSSD switched off (lock-out)

1.2 Checklists

The checklists (see chapter 9 "Testing") serve as a reference for the machine manufacturer or supplier. They replace neither testing of the complete machine or system prior to initial commissioning nor their periodic testing by a qualified person (see chapter 2.2 "Necessary competencies"). The checklists contain minimum testing requirements. Depending on the application, other tests may be necessary.

2 Safety

Before using the safety sensor, a risk assessment must be performed according to valid standards (e.g. EN ISO 12100:2010, EN ISO 13849-1:2015, EN IEC 62061:2021). The result of the risk assessment determines the required safety level of the safety sensor (see chapter 14.1 "Safety-relevant technical data").

For mounting, operating and testing, this document as well as all applicable national and international standards, regulations, rules and directives must be observed. Relevant and supplied documents must be observed, printed out and handed to affected persons.

- ↳ Before working with the safety sensor, completely read and observe the documents applicable to your task.

In particular, the following national and international legal regulations apply for the commissioning, technical inspections and work with safety sensors:

- Directive 2006/42/EC
- Directive 2014/35/EU
- Directive 2014/30/EU
- Directive 89/655/EEC supplemented by directive 95/63 EC
- OSHA 1910 Subpart O
- Safety regulations
- Accident-prevention regulations and safety rules
- Ordinance on Industrial Safety and Health and employment protection act
- Product Safety Law (ProdSG and 9. ProdSV)

NOTICE



For safety-related information you may also contact local authorities (e.g., industrial inspectorate, employer's liability insurance association, labor inspectorate, occupational safety and health authority).

2.1 Intended use and foreseeable misuse



WARNING



A running machine may result in serious injury!

- ↳ Make certain that the safety sensor is correctly connected and that the protective function of the protective device is ensured.
- ↳ Make certain that, during all conversions, maintenance work and inspections, the system is securely shut down and protected against being restarted.

2.1.1 Intended use

- The safety sensor may only be used after it has been selected in accordance with the respectively applicable instructions and relevant standards, rules and regulations regarding labor protection and safety at work, and after it has been installed on the machine, connected, commissioned, and checked by a competent person (see chapter 2.2 "Necessary competencies"). The devices are designed for indoor use only.
- When selecting the safety sensor it must be ensured that its safety-related capability meets or exceeds the required performance level PL_r , ascertained in the risk assessment (see chapter 14.1 "General specifications").
- The safety sensor protects persons or body parts at points of operation, danger zones or access points of machines and systems.
- With the *access guarding* function, the safety sensor detects persons only when they enter the danger zone but cannot tell whether there are any persons inside the danger zone. For this reason, a start/restart interlock or a suitable stepping behind protection in the safety chain is essential in this case.

- Maximum permissible approach speeds (see ISO 13855):
 - 1.6 m/s for access guarding
 - 2.0 m/s for guards of points of operation
- The construction of the safety sensor must not be altered. When manipulating the safety sensor, the protective function is no longer guaranteed. Manipulating the safety sensor also voids all warranty claims against the manufacturer of the safety sensor.
- The improper repair of the protective device may result in loss of the protective function. Make no repairs to the device components.
- The safety sensor must be inspected regularly by a competent person to ensure proper integration and mounting (see chapter 2.2 "Necessary competencies").
- The safety sensor must be exchanged after a maximum of 20 years. Repairs or the exchange of wear parts do not extend the mission time.

2.1.2 Foreseeable misuse

Any use other than that defined under the "Approved purpose" or which goes beyond that use is considered improper use.

In principle, the safety sensor is **not** suitable as a protective device for use in the following cases:

- Danger posed by ejected objects or the spraying of hot or hazardous liquids from within the danger zone
- Applications in explosive or easily flammable atmospheres

2.2 Necessary competencies

The safety sensor may only be configured, installed, connected, commissioned, serviced and tested in its respective application by persons who are suitably qualified for the given task. General prerequisites for suitably qualified persons:

- They have a suitable technical education.
- They are familiar with the relevant parts of the operating instructions for the safety sensor and the operating instructions for the machine.

Task-specific minimum requirements for competent persons:

Configuration

Specialist knowledge and experience in the selection and use of protective devices on machines as well as the application of technical rules and the locally valid regulations on labor protection, safety at work and safety technology.

Specialist knowledge in programming safety-related controls SRASW acc. to EN ISO 13849-1.

Mounting

Specialist knowledge and experience needed for the safe and correct installation and alignment of the safety sensor with regard to the respective machine.

Electrical installation

Specialist knowledge and experience needed for the safe and correct electrical connection as well as safe integration of the safety sensor in the safety-related control system.

Operation and maintenance

Specialist knowledge and experience needed for the regular inspection and cleaning of the safety sensor – following instruction by the person responsible.

Servicing

Specialist knowledge and experience in the mounting, electrical installation and the operation and maintenance of the safety sensor in accordance with the requirements listed above.

Commissioning and testing

- Experience and specialist knowledge in the rules and regulations of labor protection, safety at work and safety technology that are necessary for being able to assess the safety of the machine and the use of the safety sensor, including experience with and knowledge of the measuring equipment necessary for performing this work.
- In addition, a task related to the subject matter is performed in a timely manner and knowledge is kept up to date through continuous further training - *Competent person* in terms of the German Betriebs-sicherheitsverordnung (Ordinance on Industrial Safety and Health) or other national legal regulations.

2.3 Responsibility for safety

Manufacturer and operator must ensure that the machine and implemented safety sensor function properly and that all affected persons are adequately informed and trained.

The type and content of all imparted information must not lead to unsafe actions by users.

The manufacturer of the machine is responsible for:

- Safe machine construction and information on any residual risks
- Safe implementation of the safety sensor, verified by the initial test performed by a competent person (see chapter 2.2 "Necessary competencies")
- Imparting all relevant information to the operating company
- Adhering to all regulations and directives for the safe commissioning of the machine

The operator of the machine is responsible for:

- Instructing the operator
- Maintaining the safe operation of the machine
- Adhering to all regulations and directives for labor protection and safety at work
- Periodic testing by a competent person (see chapter 2.2 "Necessary competencies")

2.4 Disclaimer

The liability of Leuze electronic GmbH + Co. KG is to be excluded in the following cases:

- Safety sensor is not used as intended.
- Safety notices are not adhered to.
- Reasonably foreseeable misuse is not taken into account.
- Mounting and electrical connection are not properly performed.
- Proper function is not tested (see chapter 9 "Testing").
- Changes (e.g., constructional) are made to the safety sensor.

3 Device description

The safety sensors from the MLC 500 series are active opto-electronic protective devices. They satisfy the following standards:

	MLC 500
Type in accordance with EN IEC 61496	4
Category in accordance with EN ISO 13849	4
Performance Level (PL) in accordance with EN ISO 13849-1:2015	e
Safety Integrity Level (SIL) in accordance with IEC 61508 and SILCL in accordance with EN IEC 62061	3

The safety sensor consists of a transmitter and a receiver (see chapter 3.1 "Device overview of the MLC family"). It is protected against overvoltage and overcurrent acc. to IEC 60204-1 (protection class 3). The safety sensor is not dangerously influenced by ambient light (e.g., welding sparks, warning lights).

3.1 Device overview of the MLC family


The series is characterized by four different receiver classes (Basic, Standard, Extended, SPG) with specific features and properties (see table below).

Tab. 3.1: Device models in the series with specific features and functions

Device type	Transmitter			Receiver					
				Basic		Standard	Extended	SPG	SPG-RR
Function package									
Model	MLC 500 MLC 501	MLC 500/A	MLC 502	MLC 510 MLC 511	MLC 510/A	MLC 520	MLC 530	MLC 530 SPG	MLC 535 SPG-RR
OSSDs (2x)				■		■	■	■	■
AS-i		■			■				
Transmission channel changeover	■		■	■		■	■	■	■
LED indicator	■	■	■	■	■	■	■	■	■
7-segment display						■	■	■	■
Automatic start/restart				■		■	■		
RES						■	■	■	■
EDM						■			
Linkage							■		
Blanking							■	■	
Muting							■		
SPG								■	■
Multi-scan							■	■	■
Range reduction	■		■						
Test input			■						


Protective field properties

The beam distance and the number of beams are dependent on the resolution and protective field height.

NOTICE	
	Depending on the resolution, the effective protective field height can be larger than the optically active area of the safety sensor housed in yellow (see chapter 3.1 "Device overview of the MLC family" and see chapter 14.1 "General specifications").

Device synchronization

The synchronization of receiver and transmitter for creating a functioning protective field is done optically, i.e. without cables, via two specially coded synchronization beams. A cycle (i.e. a pass from the first to the last beam) is called a scan. The length of a scan determines the length of the response time and affects the calculation of the safety distance (see chapter 6.1.1 "Calculation of safety distance S").

NOTICE	
	For the correct synchronization and function of the safety sensor, at least one of the two synchronization beams must be free during synchronization and operation.

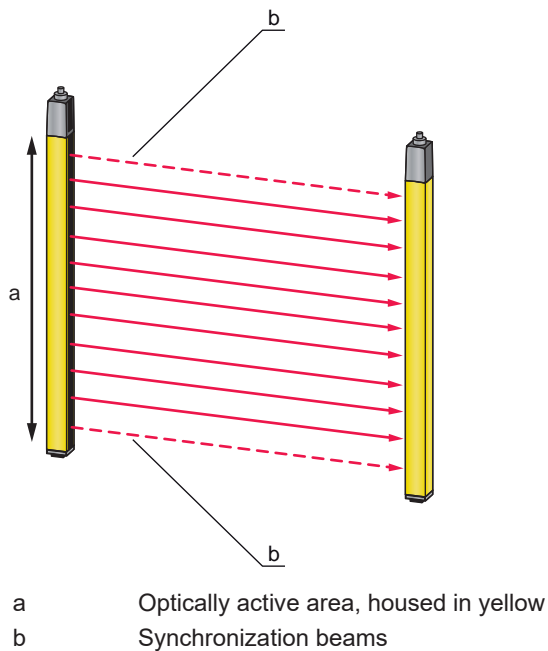


Fig. 3.1: Transmitter-receiver system

QR code

A QR code as well as the corresponding web address are located on the safety sensor.

At the web address, you will find device information and error messages (see chapter 11.3 "Error messages 7-segment display") after scanning the QR code with a mobile end device or after entering the web address.

When using mobile end devices, mobile service charges can accrue.



www.mobile.leuze.com/mlc/

Fig. 3.2: QR code with corresponding web address (URL) on the safety sensor

3.2 Connection technology

The transmitter and receiver feature an M12 connector as an interface to the machine control with the following number of pins:

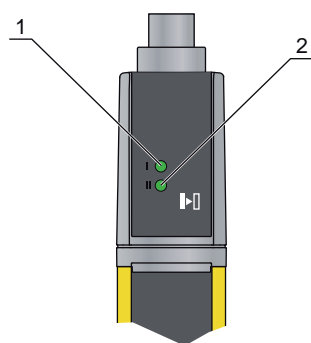
Device model	Device type	Device plug
MLC 500	Transmitter	5-pin
MLC 530	Extended receiver	8-pin

3.3 Display elements

The display elements of the safety sensors simplify start-up and fault analysis.

3.3.1 Operating indicators on the MLC 500 transmitter

Located in the connection cap on the transmitter are two LEDs which serve as function indicators:



- 1 LED1, green/red
- 2 LED2, green

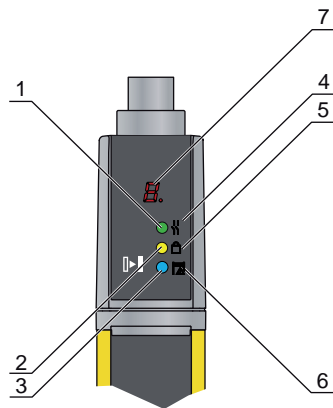
Fig. 3.3: Indicators on the MLC 500 transmitter

Tab. 3.2: Meaning of the LEDs on the transmitter

State		Description
LED1	LED2	
OFF	OFF	Device switched off
Green	OFF	Normal operation on channel 1
Green	Green	Normal operation on channel 2
Green, flashing	OFF	Reduced operating range on channel 1
Green, flashing	Green, flashing	Reduced operating range on channel 2
Red	OFF	Device error
Green	Red, flashing	External test (MLC 502 only)

3.3.2 Operating indicators on the MLC 530 receiver

Three LEDs and a 7-segment display for visualizing the operating state are located on the receiver:



- 1 LED1, red/green
- 2 LED2, yellow
- 3 LED3, blue
- 4 OSSD icon
- 5 RES icon
- 6 Blanking/muting icon
- 7 7-segment display

Fig. 3.4: Indicators on the MLC 530 receiver

Tab. 3.3: Meaning of the LEDs on the receiver

LED	Color	State	Description
1	Red/green	OFF	Device switched off
		Red	OSSD off
		Red, flashing slowly (approx. 1 Hz)	External error
		Red, flashing fast (approx. 10 Hz)	Internal error
		Green, flashing slowly (approx. 1 Hz)	OSSD on, weak signal
		Green	OSSD on
2	Yellow	OFF	<ul style="list-style-type: none"> • RES deactivated • or RES activated and enabled • or RES blocked and protective field interrupted
		ON	RES activated and blocked but ready to be unlocked - protective field free and linked sensor is enabled if applicable
		Flashing	Upstream safety circuit opened
		Flashing (1x or 2x)	Changeover of the upstream control circuit
3	Blue	OFF	No special function (blinking, muting, ...) active
		ON	Protective field parameter (blinking) correctly taught
		Slowly flashing	Muting active
		Short flashing	<ul style="list-style-type: none"> • Teaching of protective field parameters • or muting restart necessary • or muting override active

7-segment display

In normal operation, the 7-segment display shows the number of the operating mode (1-6). In addition, it helps during the detailed error diagnostics (see chapter 11 "Troubleshooting") and serves as an alignment aid (see chapter 8.2 "Aligning the sensor"). In contrast to operating modes 1, 2 and 3, the 7-segment display is rotated by 180 degrees in operating modes 4 and 6. This is because for many applications, the device connection is located below the protective field, which is not the case in operating modes 1, 2 and 3.

Tab. 3.4: Meaning of the 7-segment display

Display	Description
After switching on	
8	Self test
t n n	Response time (t) of the receiver in milliseconds (n n)
In normal operation	
1...6	Selected operating mode
For alignment	
	Alignment display (see chapter 3.3.3 "Alignment display"). <ul style="list-style-type: none"> • Segment 1: beam area in upper third of the protective field • Segment 2: beam area in middle third of the protective field • Segment 3: beam area in lower third of the protective field
For error diagnostics	
F...	Failure, internal device error
E...	Error, external error
U...	Usage info, application error

For error diagnostics, the error's respective letter is displayed first followed by the number code. The display is repeated cyclically. An AutoReset is carried out after 10 s for errors that do not cause locking, with an unauthorized restart being impossible. In the case of blocking errors, the voltage supply must be separated and the cause of the error must be eliminated. Before switching on again, the steps taken before initial commissioning must be repeated (see chapter 9.1 "Before commissioning and following modifications").

The 7-segment display switches to alignment mode when the device has not yet been aligned or when the protective field has been interrupted (after 5 s). In this case, a fixed beam area from the protective field is assigned to every segment.

3.3.3 Alignment display

Approximately 5 s after a protective-field interruption, the 7-segment display switches to alignment mode.

In this mode, one third of the total protective field (top, middle, bottom) is assigned to one of the three horizontal segments. In the case of uniform resolution over the entire protected area, the state of this partial protective field is indicated as follows:

Tab. 3.5: Function of alignment display

Segment	Description
On	All beams in the beam area are uninterrupted.
Flashing	At least one, but not all beams in the beam area are uninterrupted.
Switched off	All beams in the beam area are interrupted.

When the protective field has been free for about 5 s, the device switches back to the display of the operating mode.

4 Functions

An overview of features and functions of the safety sensor can be found in chapter "Device description" (see chapter 3.1 "Device overview of the MLC family").

The different functions are grouped into six operating modes (see table below).

Depending on the function required, select the suitable operating mode via corresponding electrical wiring (see chapter 7 "Electrical connection").


Tab. 4.1: Overview of functions and function groups



Functions	Operating modes				
	1	2	3	4	6
Fixed blanking without tolerance	■	■	FG1, FG2		
Fixed blanking without tolerance, can be activated/deactivated during operation	■				
Fixed blanking with 1-beam tolerance				■	■
Integration of "contact-based safety circuit"	■	■	FG1, FG2		
Integration of "electronic safety-related switching outputs"		■			
SingleScan	■	■	FG1		
DoubleScan			FG2		
MaxiScan				■	■
Floating blanking, can be changed to "fixed blanking" during operation			FG1		
Reduced resolution, can be changed to "fixed blanking" during operation			FG1		
Combination of floating/fixed blanking, can be changed to "fixed blanking" during operation			FG1		
Timing controlled 2-sensor muting				■	
Partial muting (timing controlled 2-sensor muting)					■
Start/restart interlock (RES)				■	■
Range reduction	■	■	■	■	■
Transmission channel changeover	■	■	■	■	■

4.1 Start/restart interlock RES

After accessing the protective field, the start/restart interlock ensures that the safety sensor remains in the OFF state after the protective field has been cleared. It prevents automatic release of the safety circuits and automatic start-up of the system, e.g. if the protective field is again clear or if an interruption in the voltage supply is restored.

In operating modes 1, 2 and 3, which evaluate a contact-based safety circuit or a linkage of electronic safety-related switching outputs, the internal start/restart interlock is deactivated.

NOTICE	
	For access guarding, the start/restart interlock function is mandatory. The protective device may only be operated without start/restart interlock in certain exceptional cases and under certain conditions acc. to ISO 12100.

 WARNING	
	<p>Deactivation of the start/restart interlock in operating modes 1, 2 and 3 may result in serious injury!</p> <ul style="list-style-type: none"> ↳ In operating modes 1, 2 and 3, implement the start/restart interlock on the machine or in a downstream safety circuit.


Using start/restart interlock


- ↳ Select operating mode 4 or 6 (see chapter 7 "Electrical connection").

The start/restart interlock function is automatically activated.

Switching the safety sensor back on after shutting down (OFF state):

- ↳ Press the reset button (press/release between 0.15 s and 4 s)

NOTICE	
	<p>The reset button must be located outside the danger zone in a safe place and give the operator a good view of the danger zone so that he/she can check whether anyone is located in it (according to IEC 62046) before pressing the reset button.</p>

 DANGER	
<p>Risk of death if start/restart is operated unintentionally!</p> <ul style="list-style-type: none"> ↳ Ensure that the reset button for unlocking the start/restart interlock cannot be reached from the danger zone. ↳ Before unlocking the start/restart interlock, make certain that no people are in the danger zone. 	

After the reset button has been actuated, the safety sensor switches to the ON state.

4.2 EDM contactor monitoring


The MLC 530 safety sensor works in all operating modes without the EDM function.

In case you need this function:

- ↳ Use a suitable safety relay.

4.3 Transmission channel changeover

Transmission channels are used to prevent mutual interference of safety sensors which are located close to each other.

NOTICE	
	<p>To guarantee reliable operation, the infrared beams are modulated so they can be discerned from the ambient light. Welding sparks or warning lights, e.g. from passing high-lift trucks, thereby do not influence the protective field.</p>

With the factory setting, the safety sensor works in all operating modes with transmission channel 1.


The transmission channel of the transmitter can be switched by changing the supply voltage polarity (see chapter 7.1.1 "MLC 500 transmitter").

Select transmission channel C2 on the receiver:

- ↳ Connect pins 1, 3, 4 and 8 of the receiver and switch it on.
- ⇒ The receiver is switched to transmission channel C2. Switch the receiver off and again disconnect the connection between pins 1, 3, 4 and 8 before switching the receiver back on.

Re-select transmission channel C1 on the receiver:

- ↳ Repeat the procedure described above to again select transmission channel C1 on the receiver.
- ⇒ The receiver is switched to transmission channel C1 again.



NOTICE	
	<p>Faulty function due to incorrect transmission channel!</p> <p>Select the same transmission channel on the transmitter and corresponding receiver.</p>

4.4 Operating range selection

In addition to selecting the suitable transmission channels (see chapter 4.3 "Transmission channel changeover"), the operating range selection also serves to prevent mutual interference of adjacent safety sensors. At reduced operating range the light power of the transmitter reduces, so that around half of the nominal range is reached.


Select operating range:

- ↳ Wire pin 4 (see chapter 7.1 "Pin assignment transmitter and receiver").
- ⇒ The wiring of pin 4 determines the transmitting power and thereby the range.

 WARNING	
	<p>Impairment of the protective function due to incorrect transmitting power!</p> <p>The light power emitted from the transmitter is reduced through a single channel and without safety-relevant monitoring.</p> <ul style="list-style-type: none"> ↳ Do not use this configuration option for safety purposes. ↳ Note that the distance to reflective surfaces must always be selected so that no reflection bypass can occur even at maximum transmitting power (see chapter 6.1.4 "Minimum distance to reflective surfaces").

4.5 Scan mode

The safety sensor features three scan modes (see table below). Depending on the operating mode selected (see chapter 4 "Functions"), a certain scan mode is automatically set.

NOTICE	
	<p>Only after an interruption of the protective field continues for several consecutive scans are the OSSDs and thereby the downstream machine switched off. As a result, selecting the scan mode can increase the availability (tolerance) at the expense of the response time - particularly in the case of EMC disturbances, light physical shocks, brief protective field violations due to falling objects and the like.</p>

Tab. 4.2: Activation and characteristics of the three scan modes of the safety sensor

	Activation	OSSD behavior	Comments
SingleScan	Selection of operating mode 1, 2 or 3/ FG2	Switch-off directly after every protective field violation detected	Fastest scan mode with shortest response time
DoubleScan	Selection of operating mode 3 / FG1	Switch-off in the case of protective field violations in two consecutive scans	Depending on the number of beams in the protective field, a certain tolerance time towards malfunctions exists. The response time doubles compared to SingleScan mode.
MaxiScan	Selection of operating mode 4 or 6	Switch-off in the case of protective field violations in several consecutive scans	The number of tolerable protective field violations (MultiScan factor) is determined by the receiver to be the maximum possible value depending on the number of beams, so that the maximum response time is 99 ms (fixed value).

4.6 Linkage

Through linkage, the behavior of the receiver can be controlled via a two-channel safety circuit (see chapter 7.4 "Operating mode 2").

The upstream safety sensors and operational controls release the OSSDs of the receiver for safety-relevant purposes if the control circuit has been switched as expected regarding polarity and time behavior and the protective field is free.

The following upstream sensors and operational controls are possible regarding the linkage:

- Safety sensor with two-channel contact-based switching output (normal closed contact), e.g. safety switch, E-Stop rope switch, safety position switch and the like (see chapter 4.6.1 "Contact-based safety circuit").
- Safety sensor with two-channel electronic OSSD switching output (see chapter 4.6.2 "Linkage of electronic safety-related switching outputs").

E-Stop buttons connected to the receiver act only on the safety circuit to which the AOPD is assigned. Thus, it can be considered to be an area E-Stop. The regulations for E-Stops apply to it, including those in accordance with EN 60204-1 and EN ISO 13850, among others.

↳ In this case, observe the regulations for E-Stops.

If linkage is utilized, the response time of the linked device is extended by 3.5 ms.

↳ Concerning the safety distance, place the more critical devices at the end of the electrical chain and as close as possible to the downstream safety circuit.

4.6.1 Contact-based safety circuit

The function releases the OSSDs via an upstream two-channel contact-based safety circuit. It can be used to monitor locks and the position of inserted objects in the event of fixed or floating blanking, e.g. via coded plugs on short cables or via safety switches with separate actuators (see chapter 7.5 "Operating mode 3"). This prevents an unwanted start-up when parts are removed from the protective field.


Examples for the connection can be found in chapter "Electrical connection" (see chapter 7 "Electrical connection").

The safety sensor only switches on if the following conditions have been fulfilled:

- The protective field is free and blanked beams are interrupted.
- The safety circuit is closed or both contacts have been closed simultaneously within 0.5 s.



Activation of the function

The contact-based safety circuit can be used in operating modes 1, 2 and 3 (see chapter 7 "Electrical connection").

NOTICE	
	Magnetically coded sensors may not be linked since the safety light curtain does not monitor them.


4.6.2 Linkage of electronic safety-related switching outputs

This function is used to construct a serial connection of devices with electronic safety OSSD switching outputs (see chapter 7.4 "Operating mode 2"). The OSSDs of an upstream safety device release the OSSDs of the safety light curtain as the central safety device through 2 channels. The upstream safety device also monitors the cross circuits. Regarding the downstream safety circuit, a linked system behaves like a single device, i.e. only 2 inputs are necessary in the downstream safety relay.

 WARNING	
	Impairment of the protective function due to faulty signals Series connection of devices with safety-related switching outputs (OSSDs) may only be created with the following Leuze electronic safety sensors: SOLID-2/2E, SOLID-4/4E, MLD 300, MLD 500, MLC 300, MLC 500, RS4, RD800 or COMPACTplus.

The following conditions have to be fulfilled for the OSSDs to switch on:

- The protective field must be free.
- Blanked beams must be interrupted.
- The OSSDs of the upstream device must be switched on or have been switched on simultaneously within 0.5 s.


NOTICE	
	A contact-based safety sensor, for example a safety switch with two positive-guided normal closed contacts, can be switched in the safety circuit when linking electronic safety-related switching outputs. Upon closing of this switch, both circuits must be closed simultaneously within a time tolerance of 0.5 s. Otherwise an error message is created.



Activation of the function

Select operating mode 2 (see chapter 7 "Electrical connection").

4.7 Blanking, reduced resolution

Blanking functions are used when objects must be located in the protective field for operational reasons. In this way, these objects can pass through the protective field without triggering a switching signal or remain permanently in the protective field. A distinction is drawn between fixed blanking (see chapter 4.7.1 "Fixed blanking") and floating blanking (see chapter 4.7.2 "Floating blanking") as well as reduced resolution (see chapter 4.7.4 "Reduced resolution").

NOTICE	
	If the "blanking" function is activated, suitable objects must be located within their respective protective field areas. Otherwise the OSSDs switch to the OFF state even if the protective field is free or they remain in the OFF state.

 WARNING	
	<p>Faulty application of blanking functions may result in serious injury!</p> <ul style="list-style-type: none"> ↳ Only use the function when the objects introduced do not have glossy or reflective top and/or bottom surfaces. Only matte surfaces are permitted. ↳ Make sure that objects take up the entire width of the protective field so that the protective field cannot be accessed from the sides of the objects; otherwise the safety distance with reduced resolution must be calculated corresponding to the gap in the protective field. ↳ If necessary, properly mount mechanical locks which are fixed firmly to the object (see chapter 14.1 "General specifications") to prevent the "formation of shadows", for example from tall objects or crooked installation. ↳ Monitor the position of the objects and the locks, if applicable, at all times by integrating them electrically into the safety circuit. ↳ Blankings in the protective field and changes to the protective field resolution should only be performed by qualified and instructed persons (see chapter 2.2 "Necessary competencies"). ↳ Only give corresponding tools such as a key for the teach key switch to qualified personnel.

4.7.1 Fixed blanking

With the "Fixed blanking" function, the safety sensor offers the chance of stationarily blanking up to 10 protective field areas consisting of any number of adjacent beams.

Prerequisites:

- At least one of the two synchronization beams may not be blanked.
- Taught blanking areas must have a minimum distance to each other which corresponds to the resolution of the safety sensor.
- No "shadows" may form in the protective field (see figures below).

Activation of the fixed blanking function without beam tolerance

Select operating mode 1, 2 or 3 (see chapter 7 "Electrical connection").



Fixed blanking with beam tolerance

Fixed blanking with beam tolerance is used in operating modes 4 and 6 for access guarding, for example to blank a roller conveyor so that it is resistant to interference.

In doing so, the receiver automatically applies a tolerance area of one beam on both sides of a taught fixed object, thereby expanding the movement area of the object by + 1 beam. On the borders of the blanked object, the resolution is reduced correspondingly by 2 beams.

Activation of the function

Select operating mode 4 or 6 (see chapter 7 "Electrical connection").

 WARNING	
	<p>Reduced resolution during beam blanking may result in serious injury!</p> <p>⚡ Take the reduced resolution into account when calculating the safety distance (see chapter 6.1.1 "Calculation of safety distance S").</p>

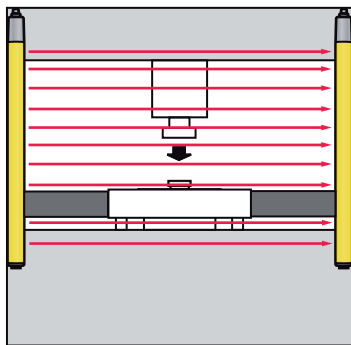


Fig. 4.1: Fixed blanking: mechanical locks prevent side access to the protective field

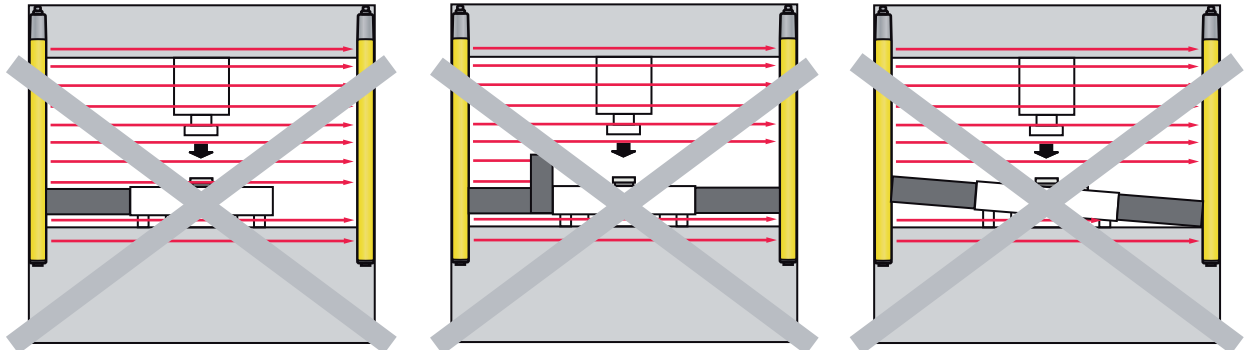




Fig. 4.2: Fixed blanking: prevention of formation of "shadows"

NOTICE	
	<p>The "Fixed blanking" function can be combined with the "Floating blanking" function (see chapter 4.7.2 "Floating blanking") and the "Reduced resolution" function (see chapter 4.7.4 "Reduced resolution") (see chapter 7.5 "Operating mode 3").</p>

Teaching of fixed blanking areas

Teaching protective field areas with fixed or floating blanking is performed via a key switch in the following steps:

- ⚡ Mount all objects to be blanked in the protective field in the locations at which they are to be blanked.
- ⚡ Press the teach key switch and release it within 0.15 s and 4 s.
- ⇒ The teach event begins. LED 3 flashes blue.
- ⚡ Press the teach key switch again and release it within 0.15 s and 4 s.
- ⇒ The teach event ends. LED3 illuminates blue if at least one beam area is blanked. All objects have been correctly taught.

NOTICE	
	After teaching a free protective field ("Teaching finished"), thus determining a protective field without areas with fixed or floating blanking, the blue LED switches off.

During teaching, the object size detected can vary by no more than one beam. Otherwise teaching is ended with the U71 user message (see chapter 11.1 "What to do in case of failure?").

4.7.2 Floating blanking



The "Floating blanking" function allows for the blanking of up to 10 non-overlapping protective field areas of any size. An object of uniform size can move in each of these.

Application limits:

- The function is only permitted for point of operation guarding with perpendicular approach to the protective field if safety sensors with physical resolution of maximum 20 mm are used.
- Devices with a physical resolution of more than 20 mm are not permitted for point of operation guarding.
- The function is not permitted for danger zone guarding with parallel approach to the protective field. Blanked objects would represent "bridges" here, from which a too-small safety distance to the danger zone would exist.

Activation of the function

The function can be activated and deactivated during operation in operating mode 3 via a two-channel control circuit (see chapter 7 "Electrical connection").

 WARNING	
	<p>Reduced resolution may result in serious injury!</p> <p>↳ Take into consideration the reduced resolution when calculating the safety distance (see chapter 6.1.1 "Calculation of safety distance S").</p>

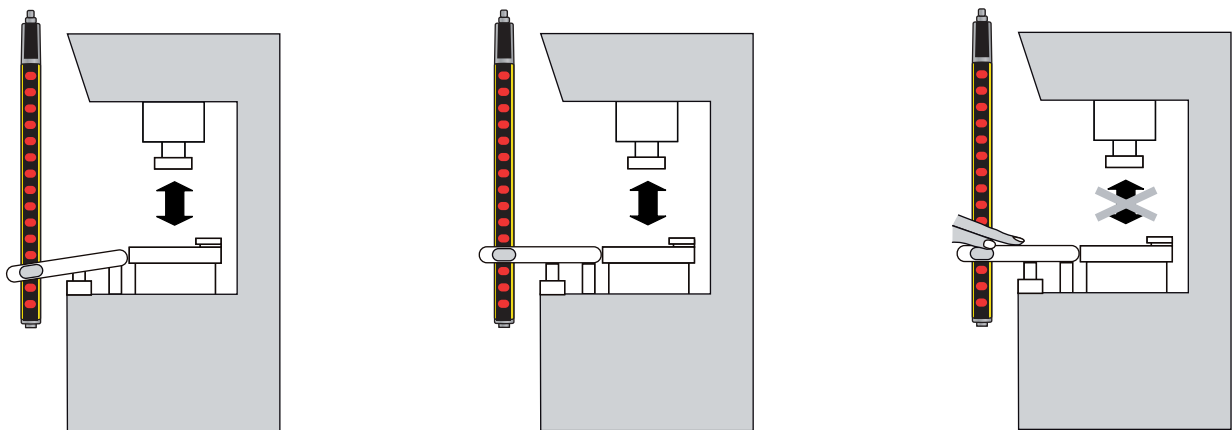





Fig. 4.3: Floating blanking

 DANGER	
	<p>Risk of death if safety distance is changed!</p> <p>The extension of the response time due to the floating blanking must be taken into consideration when calculating safety distance.</p> <p>↳ Add the scanning time needed for the largest beam area with floating blanking to the response time (see chapter 6.1.5 "Resolution and safety distance for fixed and floating blanking as well as reduced resolution").</p>

NOTICE	
	The Floating blanking function can be combined with the “Fixed blanking” function (see chapter 4.7.1 "Fixed blanking"). It is always active together with the “Reduced resolution” function (see chapter 4.7.4 "Reduced resolution").

Teaching of floating blanking areas


- ↪ Proceed as described in “Teaching of fixed blanking areas” (see chapter 4.7.1 "Fixed blanking").
- ↪ After pressing the teach key switch, move all objects to be blanked within their non-overlapping protective field areas.
- ⇒ The receiver teaches the object sizes and the respective movement area.

NOTICE	
	After teaching a free protective field (Teaching finished), thus determining a protective field without areas with fixed or floating blanking, the blue LED switches off.

During teaching, the object size detected can vary by no more than one beam. Otherwise teaching is ended with the U71 user message (see chapter 11.3 "Error messages 7-segment display").

4.7.3 Controlling blanking



Through the antivalent wiring of two control inputs, blanking areas can be activated or deactivated during operation in operating mode 1 (see chapter 7.3 "Operating mode 1") and operating mode 3 (see chapter 7.5 "Operating mode 3").

NOTICE	
	Control signals can be delivered, e.g., from a 2-level key switch that switches the signal inputs against +24 V and 0 V.

- ↪ Depending on the operating mode, apply control signals (+24 V and 0 V) simultaneously on both control inputs.
- ↪ Invert the voltage of the control signal on both inputs within 0.5 s (+24 V becomes 0 V and 0 V becomes +24 V).
- ⇒ LED3 illuminates blue. A valid switch sequence is available. The blanking areas are being monitored.

4.7.4 Reduced resolution

With the “Reduced resolution” function, objects up to a defined maximum size can be brought into the protective field without switching off the protective device and, if necessary, move freely without overlapping (see figure below).

 WARNING	
	<p>Reduced resolution may result in serious injury!</p> <ul style="list-style-type: none"> ↪ Take into consideration the reduced resolution when calculating the safety distance (see chapter 6.1.1 "Calculation of safety distance S").

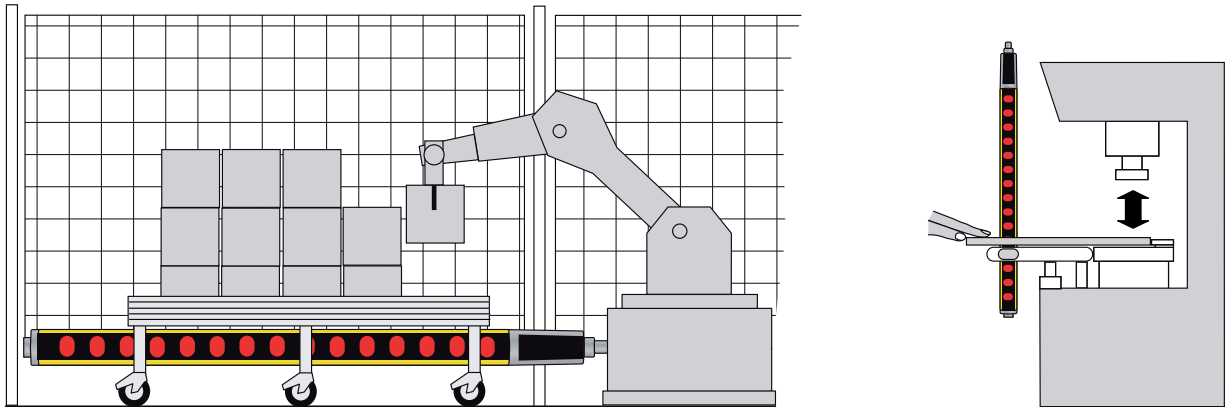


Fig. 4.4: Reduced resolution; several sufficiently small objects can move simultaneously in the protective field or be removed

NOTICE

i Objects in the protective field are not monitored for presence or number, i.e. sufficiently small objects can be removed from the protective field and brought back to any blanked area without the optical protective device reacting.

Reducing resolution

The “Reduced resolution” function is activated in operating mode 3/FG1 and is effective in the entire protective field (see chapter 7.5 “Operating mode 3”).

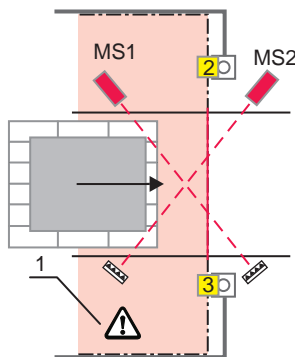
NOTICE

i The “Reduced resolution” function can be combined with the “Fixed blanking” function (see chapter 4.7.1 “Fixed blanking”) and is always activated together with the “Floating blanking” function (see chapter 4.7.2 “Floating blanking”).

4.8 Timing controlled muting

By means of muting, the protective function can be temporarily and properly suppressed, e.g. if objects are to be transported through the protective field. The OSSDs remain in the ON state in spite of interruption of one or more beams.

Muting is initiated automatically and via two mutually independent muting signals. These signals must be active during the entire duration of the muting operation. Muting may not be initiated by a single sensor signal, nor may it be fully initiated by software signals.



- 1 Danger zone
- 2 Receiver
- 3 Transmitter
- MS1 Muting sensor 1
- MS2 Muting sensor 2

Fig. 4.5: Arrangements of muting sensors for timing controlled 2-sensor muting in an exit application

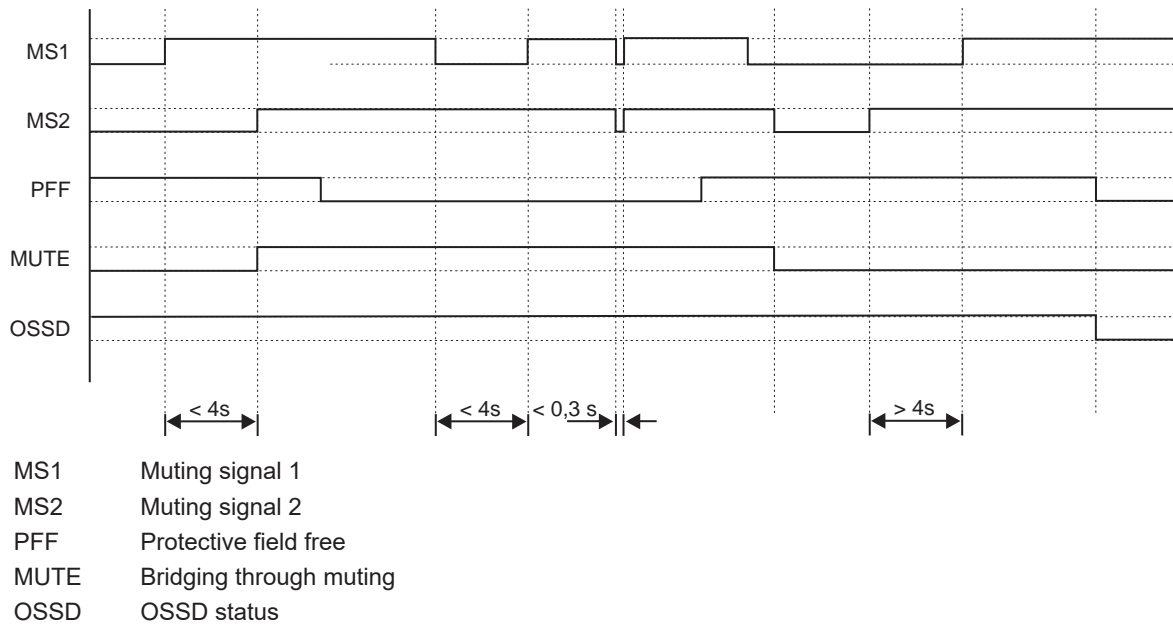


Fig. 4.6: Timing controlled muting - timing

The material can move in both directions. Often, an arrangement consisting of crossed beams from retro-reflective photoelectric sensors is used (see chapter 6.2 "Arrangement of the muting sensors").

Timing controlled muting is used in the following cases:

- Moving-in applications: diffuse sensors in the danger zone detect the muting object through the protective field. The operating range must be set to a sufficiently small value (see chapter 6.2.4 "Arrangement of the muting sensors for timing controlled 2-sensor muting").
- Exit applications: a photoelectric sensor in the danger zone works diagonally to the transport direction together with a simultaneously activated PLC signal, which derives from the drive of the transport equipment, for instance (see chapter 6.2.5 "Arrangement of the muting sensors for timing controlled 2-sensor muting especially for exit applications").

DANGER
Risk of death if installation is not performed correctly!
↳ Follow the instructions for the correct arrangement of the muting sensors (see chapter 6.2 "Arrangement of the muting sensors").

As a rule, the protective function of the entire protective field is deactivated during timing controlled muting. However, the following types of operation are possible:

- Partial muting, i.e. the last beam permanently remains active (see chapter 4.8.1 "Partial muting").

Activating timing controlled muting

↳ Activate timing controlled muting by selecting operating mode 4 or 6 (see chapter 7 "Electrical connection").

NOTICE
Following malfunctions or operationally related interruptions (e.g. failure and restoration of the supply voltage, violation of the concurrency condition during activation of the muting sensors), the system can be manually reset with the reset button and overridden (see chapter 4.8.3 "Muting override").

If muting was properly activated, it remains active even during brief interruptions of each single sensor signal (shorter than 0.3 s).

Muting is ended in the following cases:

- The signals of the two muting sensors are simultaneously inactive for a duration of more than 0.3 s.
- The signal of a muting sensor is inactive for a duration of more than 4 s.
- The muting time limit (10 min muting timeout) has elapsed.

NOTICE

If muting is ended, the safety sensor functions again in normal protective mode, i.e. the OSSDs switch off as soon as the protective field is interrupted.

4.8.1 Partial muting

During partial muting, the light beam on the device end is excluded from muting. As a result, the protective device switches to the OFF state in spite of active muting if the last beam is interrupted.

Activating partial muting

↳ Activate operating mode 6 (see chapter 7.7 "Operating mode 6").

4.8.2 Muting restart

A muting restart is required if:

- the protective field is interrupted
- and both muting signals are activated

**WARNING****Unauthorized muting restart may result in serious injury!**

- ↳ A qualified person (see chapter 2.2 "Necessary competencies") must observe the procedure exactly.
- ↳ Make certain that the danger zone can be viewed from the reset button and that the entire process can be observed by the responsible person.
- ↳ Before and during the muting restart, ensure that there are no people in the danger zone.

Performing muting restart

- ↳ If the safety sensor responds with an error message, perform an error reset (see chapter 4.9 "Error reset").
- ↳ Press and release the reset button within 0.15 to 4 s.
- ⇒ The safety sensor switches on.

4.8.3 Muting override

A muting restart is required if:

- the protective field is interrupted
- and only one muting signal is activated

**WARNING****Unmonitored overrides may result in serious injury!**

- ↳ A qualified person (see chapter 2.2 "Necessary competencies") must observe the procedure exactly.
- ↳ If necessary, the qualified person must release the reset button immediately to stop the dangerous movement.
- ↳ Make certain that the danger zone can be viewed from the reset button and that the entire process can be observed by a responsible person.
- ↳ Before and during the muting override, ensure that there are no people in the danger zone.

Performing a muting override


- ↳ If the safety sensor responds with an error message, perform an error reset (see chapter 4.9 "Error reset").
- ↳ Press and release the reset button within 0.15 to 4 s.
- ↳ Press the reset button a second time and keep it pressed down.
- ⇒ The safety sensor switches on.

Case 1: muting signal combination valid


If a valid muting signal combination is found to exist, the OSSDs remain in the ON state, even if the reset button is released. The system restarts its normal operation; the muting indicator illuminates continuously until the transport material has left the muting path.

Case 2: muting signal combination invalid

If muting sensors are misaligned, soiled or damaged, but also if pallets are incorrectly loaded, it is possible that no valid muting signal combination will be ascertained. In these cases, the release of the OSSDs is maintained only for as long as the reset button is pressed

NOTICE	
	<p>Muting override not possible due to shortcomings in the application!</p> <p>↳ The causes of invalid muting combinations are to be investigated and remedied by qualified persons (see chapter 2.2 "Necessary competencies").</p>

The system pauses during the muting override if the reset button is released or the maximum time for the override (150 s) is exceeded.

NOTICE	
	<p>The duration of the override is limited to 150 s.</p>

Thereafter, the reset button must be pressed again and held down in order to continue the process. A step-by-step override is possible in this way ("tip mode").

4.9 Error reset

If an internal or external error is detected by the receiver, it goes into the interlock state (see chapter 11.1 "What to do in case of failure?").

- ↳ To reset the safety circuit to the initial state, reset the safety sensor according to the recommended operational procedure (see table below).

Tab. 4.3: Operational procedure for the error reset, dependent on the operating mode, RES and connected reset button

Operating mode	RES	Reset button connected	Operational procedure
1, 2 and 3	Deactivated	No	Switching off and on of the supply voltage
1, 2 and 3	Deactivated	Yes	Acknowledging with the reset button or alternatively switching the voltage supply on and off
4 and 6	Activated	Yes	Acknowledging with the reset button or alternatively switching the voltage supply on and off

5 Applications

The safety sensor only creates square protective fields.

NOTICE



For applications with increased mechanical requirements, device models are available in version MLC.../V (see chapter 15 "Order guide and accessories").

5.1 Point of operation guarding

Point of operation guarding for hand and finger protection is typically the most common application for this safety sensor. In accordance with EN ISO 13855, resolutions from 14 to 40 mm make sense here. This yields the necessary safety distance, among others (see chapter 6.1.1 "Calculation of safety distance S").



Fig. 5.1: Point of operation guarding protects reaching into the danger zone, e.g. for cartoners or filling systems

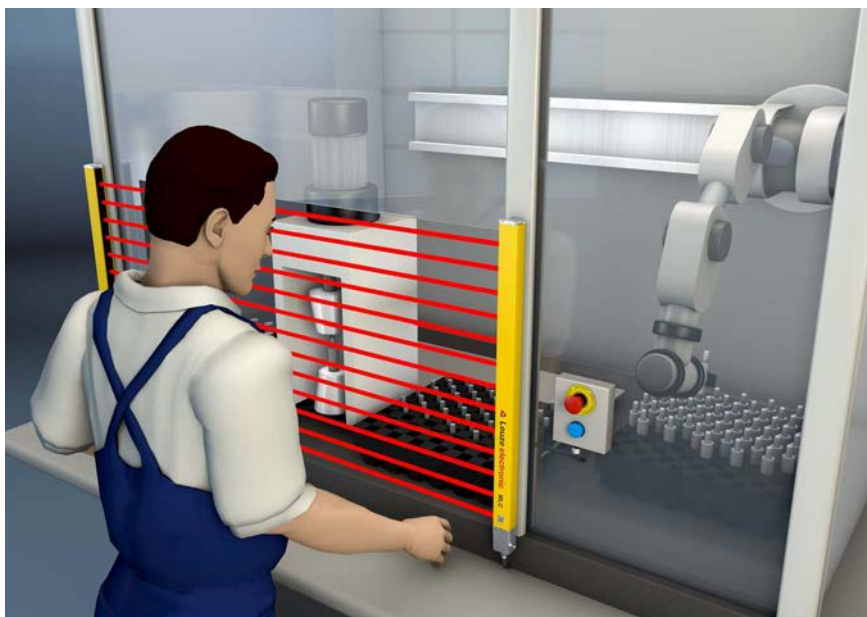




Fig. 5.2: Point of operation guarding protects reaching into the danger zone, e.g. for a pick & place robot application

5.1.1 Blanking

During fixed blanking, beams are blanked at a fixed location (see chapter 4.7.1 "Fixed blanking").

In contrast, when floating blanking is active, the object can move in the blanked beam area (see chapter 4.7.2 "Floating blanking").

When reduced resolution is active, beams can be interrupted if adjacent beams are active and effective (see chapter 4.7.4 "Reduced resolution").

NOTICE	
	Objects brought into the protective field must take up the entire field width so that it cannot be accessed next to the object. Otherwise locks are to be provided to prevent access.
WARNING	
	<p>Risk of injury due to inadmissible application of blanking!</p> <p>Blanking is not permitted with danger zone guarding since the blanked areas would form accessible bridges to the danger zone.</p> <p>⚡ Do not use blanking for danger zone guarding.</p>

5.2 Access guarding

Safety sensors with up to 90 mm resolution are used for access guarding into danger zones. They detect people only upon entry into the danger zone, i.e., they do not detect parts of a person or whether a person is present in the danger zone.

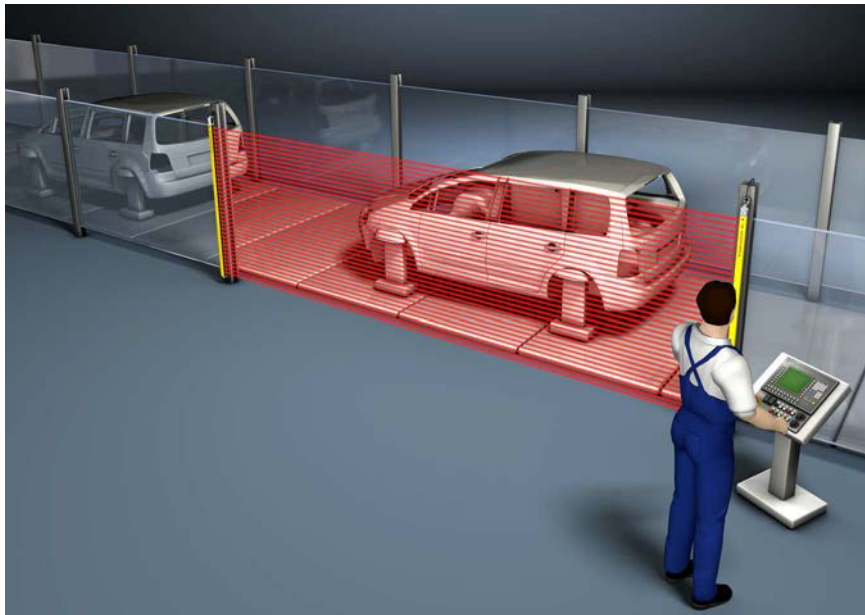


Fig. 5.3: Access guarding on a transfer path

5.2.1 Muting

Access guarding can be operated with a bridging function for material transport through the protective field. In this case, the integrated muting function is used (see chapter 4.8 "Timing controlled muting").

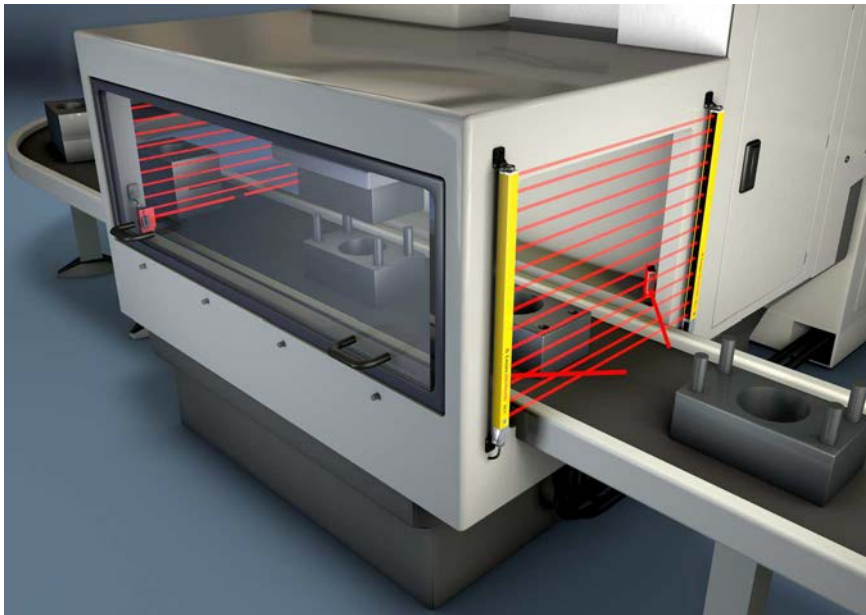


Fig. 5.4: Point of operation guarding with muting

5.3 Danger zone guarding

Safety light curtains can be used in horizontal arrangement for danger zone guarding - either as stand-alone device for presence monitoring or as stepping behind protection for presence monitoring e.g. in combination with a vertically-arranged safety sensor. Depending on the mounting height, resolutions of 40 or 90 mm are used (Link destination: order guide and accessories).

If particularly high requirements are made on availability in environments where disturbances are common, the DoubleScan or MaxiScan scan modes (see chapter 4.5 "Scan mode") or a reduced resolution can be activated (see chapter 4.7.4 "Reduced resolution").

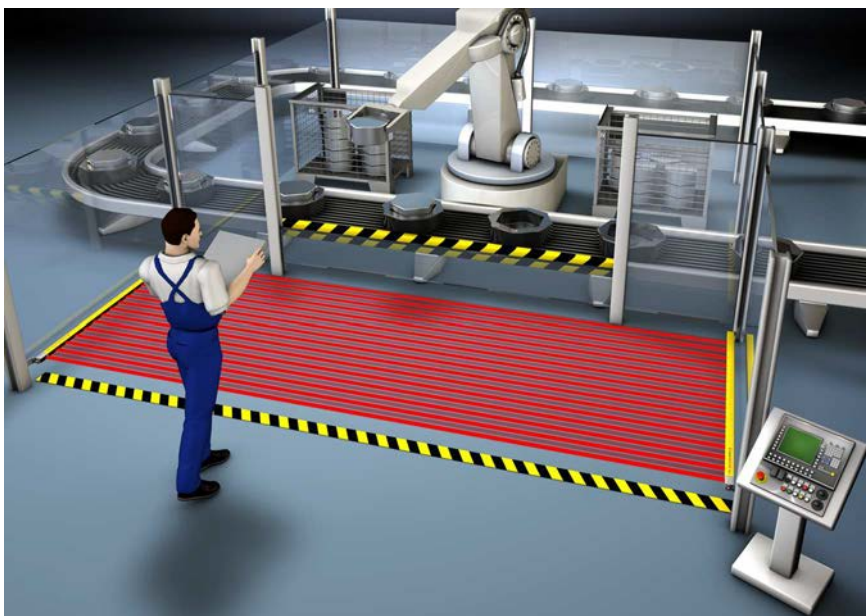






Fig. 5.5: Danger zone guarding on a robot

 WARNING	
	<p>Risk of injury due to inadmissible application of blanking!</p> <p>Blanking is not permitted with danger zone guarding since the blanked areas would form accessible bridges to the danger zone.</p> <p>⚡ Do not use blanking for danger zone guarding.</p>

6 Mounting


 WARNING	
	<p>Improper mounting may result in serious injury!</p> <p>The protective function of the safety sensor is only ensured if appropriately and professionally mounted for the respective, intended area of application.</p> <ul style="list-style-type: none"> ↳ Only allow the safety sensor to be installed by qualified persons (see chapter 2.2 "Necessary competencies"). ↳ Maintain the necessary safety distances (see chapter 6.1.1 "Calculation of safety distance S"). ↳ Make sure that stepping behind, crawling under or stepping over the protective device is reliably ruled out and reaching under, over or around is taken into account in the safety distance, if applicable with additional distance C_{RO} corresponding to ISO 13855. ↳ Take measures to prevent that the safety sensor can be used to gain access to the danger zone, e.g. by stepping or climbing into it. ↳ Observe the relevant standards, regulations and these instructions. ↳ Clean the transmitter and receiver at regular intervals: environmental conditions (see chapter 14 "Technical data"), care (see chapter 10 "Maintenance"). ↳ After mounting, check the safety sensor for proper function.

6.1 Arrangement of transmitter and receiver


Optical protective devices can only perform their protective function if they are mounted with adequate safety distance. When mounting, all delay times must be taken into account, such as the response times of the safety sensor and control elements as well as the stopping time of the machine, among others.

The following standards specify calculation formulas:

- IEC 61496-2, "Active optoelectronic protective devices": distance of the reflecting surfaces/deflecting mirrors
- ISO 13855, "Safety of machines - The positioning of protective equipment in respect of approach speeds of parts of the human body": mounting situation and safety distances

NOTICE	
	<p>In accordance with ISO 13855, with a vertical protective field, it is possible to pass under beams over 300 mm or pass over beams under 900 mm. If the protective field is horizontal, climbing on the safety sensor must be prevented through suitable installation or with covers and the like.</p>


6.1.1 Calculation of safety distance S

NOTICE	
	When using reduced resolution or blanking, observe the necessary additional distances to the safety distance (see chapter 6.1.5 "Resolution and safety distance for fixed and floating blanking as well as reduced resolution").

General formula for calculating the safety distance S of an Optoelectronic Protective Device acc. to ISO 13855

$$S = K \cdot T + C$$

S	[mm]	=	Safety distance
K	[mm/s]	=	Approach speed
T	[s]	=	Total time of the delay, sum from ($t_a + t_i + t_m$)
t_a	[s]	=	Response time of the protective device
t_i	[s]	=	Response time of the safety relay
t_m	[s]	=	Stopping time of the machine
C	[mm]	=	Additional distance to the safety distance

NOTICE	
	If longer stopping times are determined during regular inspections, an appropriate additional time must be added to t_m .

6.1.2 Calculation of safety distance if protective fields act orthogonally to the approach direction

With vertical protective fields, ISO 13855 differentiates between

- S_{RT} : safety distance concerning access **through** the protective field
- S_{RO} : safety distance concerning access **over** the protective field

The two values are distinguished by the way additional distance C is determined:

- C_{RT} : from a calculation formula or as a constant (see chapter 6.1.1 "Calculation of safety distance S")
- C_{RO} : from the following table "Reaching over the vertical protective field of electro-sensitive protective equipment (excerpt from ISO 13855)"

The larger of the two values S_{RT} and S_{RO} is to be used.

Calculation of safety distance S_{RT} acc. to ISO 13855 when access occurs through the protective field:

Calculation of safety distance S_{RT} for point of operation guarding

$$S_{RT} = K \cdot T + C_{RT}$$

S_{RT}	[mm]	=	Safety distance
K	[mm/s]	=	Approach speed for point of operation guarding with approach reaction and normal approach direction to the protective field (resolution 14 to 40 mm): 2000 mm/s or 1600 mm/s, when $S_{RT} > 500$ mm
T	[s]	=	Total time of the delay, sum from ($t_a + t_i + t_m$)
t_a	[s]	=	Response time of the protective device
t_i	[s]	=	Response time of the safety relay
t_m	[s]	=	Stopping time of the machine
C_{RT}	[mm]	=	Additional distance for point of operation guarding with approach reaction with resolutions of 14 to 40 mm, $d =$ resolution of protective device $C_{RT} = 8 \times (d - 14)$ mm

Calculation example

The feeding-in area in a press with a stopping time (including press Safety PLC) of 190 ms is to be safeguarded with a safety light curtain with 20 mm of resolution and 1200 mm of protective field height. The safety light curtain has a response time of 22 ms.

↳ Calculate safety distance S_{RT} using the formula acc. to ISO 13855.

$$S_{RT} = K \cdot T + C_{RT}$$

K	[mm/s]	=	2000
T	[s]	=	(0.022 + 0.190)
C_{RT}	[mm]	=	$8 \times (20 - 14)$
S_{RT}	[mm]	=	$2000 \text{ mm/s} \times 0.212 \text{ s} + 48 \text{ mm}$
S_{RT}	[mm]	=	472

S_{RT} is smaller than 500 mm; this is why the calculation may **not** be repeated with 1600 mm/s.

NOTICE

Implement the necessary stepping behind protection, for example with OSSD linkage (see chapter 4.6.2 "Linkage of electronic safety-related switching outputs").

Calculation of safety distance S_{RT} for access guarding

$$S_{RT} = K \cdot T + C_{RT}$$

S_{RT}	[mm]	=	Safety distance
K	[mm/s]	=	Approach speed for access guarding with approach direction orthogonal to the protective field: 2000 mm/s or 1600 mm/s, when $S_{RT} > 500 \text{ mm}$
T	[s]	=	Total time of the delay, sum from $(t_a + t_i + t_m)$
t_a	[s]	=	Response time of the protective device
t_i	[s]	=	Response time of the safety relay
t_m	[s]	=	Stopping time of the machine
C_{RT}	[mm]	=	Additional distance for access guarding with approach reaction with resolutions of 14 to 40 mm, $d =$ resolution of protective device $C_{RT} = 8 \times (d - 14) \text{ mm}$. Additional distance for access guarding for resolutions $> 40 \text{ mm}$: $C_{RT} = 850 \text{ mm}$ (standard value for arm length)

Calculation example

Access to a robot with a stopping time of 250 ms is to be safeguarded with a safety light curtain with 90 mm of resolution and 1500 mm of protective field height whose response time is 6 ms. The safety light curtain directly switches the contactors whose response time is contained in the 250 ms. An additional interface therefore does not have to be taken into consideration.

↳ Calculate safety distance S_{RT} using the formula acc. to ISO 13855.

$$S_{RT} = K \cdot T + C_{RT}$$

K	[mm/s]	=	1600
T	[s]	=	(0.006 + 0.250)
C_{RT}	[mm]	=	850
S_{RT}	[mm]	=	1600 mm/s × 0.256 s + 850 mm
S_{RT}	[mm]	=	1260

This safety distance is not available in the application. This is why a new calculation is done with a safety light curtain with 40 mm of resolution (response time = 14 ms):

↳ Re-calculate safety distance S_{RT} using the formula acc. to ISO 13855.

$$S_{RT} = K \cdot T + C_{RT}$$

K	[mm/s]	=	1600
T	[s]	=	(0.014 + 0.250)
C_{RT}	[mm]	=	8 × ~ (40 - 14)
S_{RT}	[mm]	=	1600 mm/s × 0.264 s + 208 mm
S_{RT}	[mm]	=	631

The safety light curtain with a 40 mm resolution is thus suitable for this application.

NOTICE

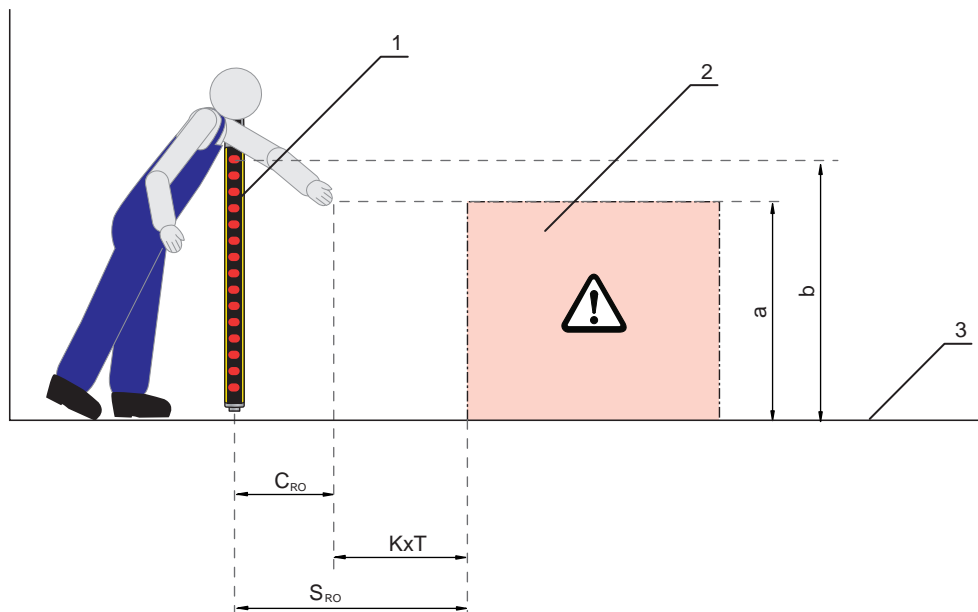
For the calculation with $K = 2000$ mm/s, safety distance S_{RT} equals 736 mm. The adoption of approach speed $K = 1600$ mm/s is therefore permitted.

Calculation of safety distance S_{RO} acc. to ISO 13855 when protective field is accessed from above:

Calculation of safety distance S_{RO} for point of operation guarding

$$S_{RO} = K \cdot T + C_{RO}$$

S_{RO}	[mm]	= Safety distance
K	[mm/s]	= Approach speed for point of operation guarding with approach reaction and normal approach direction to the protective field (resolution 14 to 40 mm): 2000 mm/s or 1600 mm/s, when $S_{RO} > 500$ mm
T	[s]	= Total time of the delay, sum from ($t_a + t_i + t_m$)
t_a	[s]	= Response time of the protective device
t_i	[s]	= Response time of the safety relay
t_m	[s]	= Stopping time of the machine
C_{RO}	[mm]	= Additional distance in which a body part can move towards the protective device before the protective device triggers: value (see the following table "Reaching over the vertical protective field of electro-sensitive protective equipment (excerpt from ISO 13855)").



- 1 Safety sensor
- 2 Danger zone
- 3 Floor
- a Height of the point of operation
- b Height of the upper beam of the safety sensor

Fig. 6.1: Additional distance to the safety distance when reaching over and under

Tab. 6.1: Reaching over the vertical protective field of electro-sensitive protective equipment(excerpt from ISO 13855)

Height a of the point of operation [mm]	Height b of the upper edge of the protective field of the electro-sensitive protective equipment											
	900	1000	1100	1200	1300	1400	1600	1800	2000	2200	2400	2600
	Additional distance C _{RO} to the danger zone [mm]											
2600	0	0	0	0	0	0	0	0	0	0	0	0
2500	400	400	350	300	300	300	300	300	250	150	100	0
2400	550	550	550	500	450	450	400	400	300	250	100	0
2200	800	750	750	700	650	650	600	550	400	250	0	0
2000	950	950	850	850	800	750	700	550	400	0	0	0
1800	1100	1100	950	950	850	800	750	550	0	0	0	0
1600	1150	1150	1100	1000	900	850	750	450	0	0	0	0
1400	1200	1200	1100	1000	900	850	650	0	0	0	0	0
1200	1200	1200	1100	1000	850	800	0	0	0	0	0	0
1000	1200	1150	1050	950	750	700	0	0	0	0	0	0
800	1150	1050	950	800	500	450	0	0	0	0	0	0
600	1050	950	750	550	0	0	0	0	0	0	0	0
400	900	700	0	0	0	0	0	0	0	0	0	0
200	600	0	0	0	0	0	0	0	0	0	0	0
0	0	0	0	0	0	0	0	0	0	0	0	0

Depending on the specified values you can work with the above-mentioned table in three ways:

1. Given are:

- Height a of the point of operation
- Distance S of the point of operation from the safety sensor, and additional distance C_{RO}

To be determined is the required height b of the upper beam of the safety sensor and thereby its protective field height.

- ↪ Look for the line with the specification of the point of operation height in the left column.
- ↪ In this line, look for the column with the next highest specification for additional distance C_{RO} .
- ⇒ The required height of the upper beam of the safety sensor is up top in the column head.

2. Given are:

- Height a of the point of operation
- Height b of the upper beam of the safety sensor

To be determined is the required distance S of the safety sensor to the point of operation and thereby additional distance C_{RO} .

- ↪ In the column head, look for the column with the next lowest entry for the height of the upper beam of the safety sensor.
- ↪ Look for the line with the next highest specification of the point of operation height a in this column.
- ⇒ In the intersection point of the line and the column, you will find additional distance C_{RO} .

3. Given are:

- Distance S of the point of operation from the safety sensor, and additional distance C_{RO} .
- Height b of the upper beam of the safety sensor

To be determined is the permitted height a of the point of operation.

- ↪ In the column head, look for the column with the next lowest entry for the height of the upper beam of the safety sensor.
- ↪ Look for the next lowest value for real additional distance C_{RO} in this column.
- ⇒ In this line, go to the left column: here you will find the permitted height of the point of operation.
- ↪ Now calculate safety distance S using the general formula acc. to ISO 13855 (see chapter 6.1.1 "Calculation of safety distance S").
- ⇒ The larger of the two values S_{RT} and S_{RO} is to be used.

Calculation example

The feeding-in area in a press with a stopping time of 130 ms is to be safeguarded with a safety light curtain with 20 mm of resolution and 600 mm of protective field height. The response time of the safety light curtain is 12 ms; the press Safety PLC has a response time of 40 ms.

The safety sensor can be reached over. The upper edge of the protective field is located at a height of 1400 mm; the point of operation is located at a height of 1000 mm

Additional distance C_{RO} to the point of operation is 700 mm (see table "Reaching over the vertical protective field of electro-sensitive protective equipment (excerpt from ISO 13855)").

- ↪ Calculate safety distance S_{RO} using the formula acc. to ISO 13855.

$$S_{RO} = K \cdot T + C_{RO}$$

K	[mm/s]	=	2000
T	[s]	=	(0.012 + 0.040 + 0.130)
C_{RO}	[mm]	=	700
S_{RO}	[mm]	=	2000 mm/s × 0.182 s + 700 mm
S_{RO}	[mm]	=	1064

S_{RO} is larger than 500 mm; this is why the calculation may be repeated with approach speed 1600 mm/s:

$$S_{RO} = K \cdot T + C_{RO}$$

K	[mm/s]	=	1600
T	[s]	=	(0.012 + 0.040 + 0.130)
C_{RO}	[mm]	=	700
S_{RO}	[mm]	=	1600 mm/s × 0.182 s + 700 mm
S_{RO}	[mm]	=	992

NOTICE



Depending on the machine construction, stepping behind protection, e.g. using a second horizontally arranged safety light curtain, is necessary. In most cases, it will be more appropriate to choose a longer safety light curtain which makes the additional distance C_{RO} equal to 0.

6.1.3 Calculation of safety distance S for parallel approach to the protective field

Calculation of safety distance S for danger zone guarding

$$S = K \cdot T + C$$

S	[mm]	=	Safety distance
K	[mm/s]	=	Approach speed for danger zone guarding with approach direction parallel to the protective field (resolution up to 90 mm): 1600 mm/s
T	[s]	=	Total time of the delay, sum from ($t_a + t_i + t_m$)
t_a	[s]	=	Response time of the protective device
t_i	[s]	=	Response time of the safety relay
t_m	[s]	=	Stopping time of the machine
C	[mm]	=	Additional distance for danger zone guarding with approach reaction H = height of the protective field, H_{min} = minimum installation height permitted, but no smaller than 0, d = resolution of the protective device $C = 1200 \text{ mm} - 0.4 \times H$; $H_{min} = 15 \times (d - 50)$

Calculation example

The danger zone in front of a machine with a stopping time of 140 ms is to be safeguarded as close to the floor height as possible using a horizontal safety light curtain as a replacement for a PS mat. Installation height H_{min} can be = 0 - additional distance C to the safety distance is then 1200 mm. The shortest possible safety sensor is to be used; the first value to be selected is to be 1350 mm.

The receiver with 40 mm of resolution and 1350 mm protective field height has a response time of 13 ms, an additional relay interface a response time of 10 ms.

↪ Calculate safety distance S_{RO} using the formula acc. to ISO 13855.

$$S = K \cdot T + C$$

K	[mm/s]	=	1600
T	[s]	=	(0.140 + 0.013 + 0.010)
C	[mm]	=	1200
S	[mm]	=	1600 mm/s × 0.163 s + 1200 mm
S	[mm]	=	1461

The safety distance of 1350 mm is not sufficient; 1460 mm are necessary.

This is why the calculation is repeated with a protective field height of 1500 mm. The response time is now 14 ms.

↳ Re-calculate safety distance S_{RO} using the formula acc. to ISO 13855.

$$S = K \cdot T + C$$

K	[mm/s]	=	1600
T	[s]	=	(0.140 + 0.014 + 0.010)
C	[mm]	=	1200
S	[mm]	=	1600 mm/s × 0.164 s + 1200 mm
S	[mm]	=	1463

A suitable safety sensor has been found; its protective field height is 1500 mm.

The following changes should now be taken into account in this example of the application conditions:

Small parts are occasionally thrown out of the machine; these can fall through the protective field. This should not trigger the safety function. In addition, the installation height is increased to 300 mm.

There are two ways to solve this:

- DoubleScan or MaxiScan
- Reduced resolution

DoubleScan or **MaxiScan**: They increase the response time so that a longer device can be used, if necessary.

DoubleScan

$$S = K \cdot T + C$$

K	[mm/s]	=	1600
T	[s]	=	(0.140 + 0.028 + 0.010)
C	[mm]	=	1200 - 0.4 × 300
S	[mm]	=	1600 mm/s × 0.178 s + 1080 mm
S	[mm]	=	1365

MaxiScan

$$S = K \cdot T + C$$

K	[mm/s]	=	1600
T	[s]	=	(0.140 + 0.100 + 0.010)
C	[mm]	=	1200 - 0.4 × 300
S	[mm]	=	1600 mm/s × 0.250 s + 1080 mm
S	[mm]	=	1480

Both methods are suitable. MaxiScan is preferred because it is sturdier.

NOTICE



Please note that the start/restart interlock in the device is deactivated in operating modes 1, 2, 3 with SingleScan and DoubleScan. It must be implemented in the downstream machine control.



Reduced resolution: The effective resolution for 1-beam reduction and 40 mm resolution is 64 mm and is therefore suitable at an installation height of 300 mm (up to 70 mm resolution). The falling pieces must be small enough that they interrupt no more than one beam.

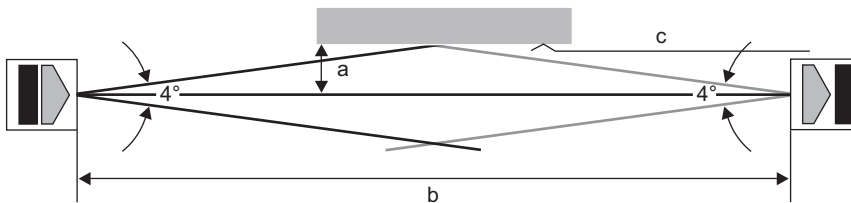
$$S = K \cdot T + C$$

- K [mm/s] = 1600
- T [s] = (0.140 + 0.013 + 0.010)
- C [mm] = 1200 - 0.4 × 300
- S [mm] = 1600 mm/s × 0.163 s + 1080 mm
- S_{RO} [mm] = 1341**

At an installation height of 300 mm, a receiver with 40 mm of resolution and 1350 mm of protective field height as well as activated reduced resolution is also suitable.

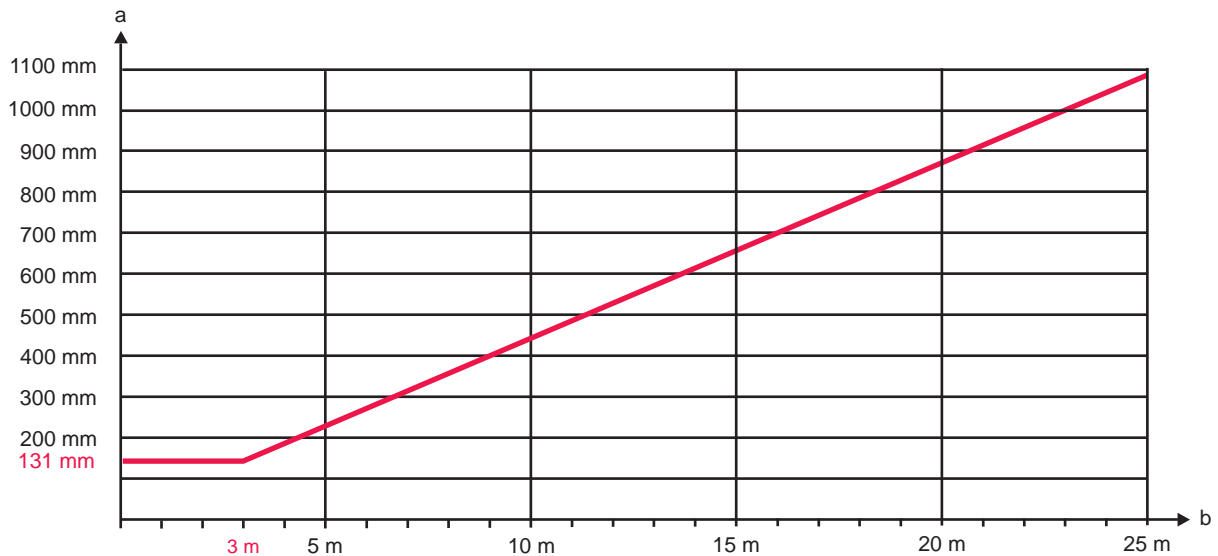
6.1.4 Minimum distance to reflective surfaces

	WARNING
	<p>Failure to maintain minimum distances to reflective surfaces may result in serious injury!</p> <p>Reflective surfaces can indirectly deflect the transmitter beams to the receiver. In this case, interruption of the protective field is not detected.</p> <ul style="list-style-type: none"> ↪ Determine the minimum distance a (see figure below). ↪ Make certain that all reflective surfaces are the necessary minimum distance away from the protective field according to IEC 61496-2 (see the following diagram “Minimum distance to reflective surfaces as a function of the protective field width”). ↪ Check that reflective surfaces do not impair the detection capability of the safety sensor before start-up and at appropriate intervals.



- a Required minimum distance to reflective surfaces [mm]
- b Protective field width [m]
- c Reflective surface

Fig. 6.2: Minimum distance to reflective surfaces depending on protective field width



a Required minimum distance to reflective surfaces [mm]

b Protective field width [m]

Fig. 6.3: Minimum distance to reflective surfaces as a function of the protective field width

Tab. 6.2: Formula for calculating the minimum distance to reflective surfaces

Distance (b) transmitter-receiver	Calculation of the minimum distance (a) to reflective surfaces
$b \leq 3 \text{ m}$	$a \text{ [mm]} = 131$
$b > 3 \text{ m}$	$a \text{ [mm]} = \tan(2.5^\circ) \times 1000 \times b \text{ [m]} = 43.66 \times b \text{ [m]}$

6.1.5 Resolution and safety distance for fixed and floating blanking as well as reduced resolution

The calculation of the safety distance must always be based on the effective resolution. If the effective resolution deviates from the physical resolution, this must be documented near the protective device on the supplied sign in a lasting, wipe-resistant manner.

Tab. 6.3: Effective resolution and additional distance to the safety distance during fixed blanking with ± 1 beam size tolerance for access guarding in accordance with ISO 13855 when approaching the protective field or- thogonally

Physical resolution	Effective resolution on the ob- ject edges	Additional distance to the safety distance $C = 8 \times (d-14)$ or 850 mm
14 mm	34 mm	160 mm
20 mm	45 mm	850 mm
30 mm	80 mm	850 mm
40 mm	83 mm	850 mm
90 mm	283 mm	850 mm

WARNING

Faulty application of blanking functions may result in serious injury!

↪ Note that the additional distances to the safety distance may require additional measures be taken for preventing stepping behind.

Resolution, response time and safety distance when using the Floating blanking function

Tab. 6.4: Effective resolution and additional distance to the safety distance during floating blanking for point of operation guarding in accordance with ISO 13855 when approaching the protective field orthogonally

Physical resolution	Effective resolution on the object edges	Additional distance to the safety distance $C = 8 \times (d-14)$
14 mm	24 mm	80 mm
20 mm	33 mm	152 mm

Due to the operating principle, floating blanking extends the response time. This must be taken into consideration when calculating the safety distance. The additional time t_{FB} to the response time is dependent on the number of beams in the largest beam area with floating blanking or the length of protective field area L_{FB} and is calculated according to the following:

Tab. 6.5: Additional time to response time t_{FB} during floating blanking

Physical resolution	Additional time to response time
14 mm	$t_{FB} = (L_{FB} / 10 \text{ mm} \times 0.2 \text{ ms}) + 1 \text{ ms}$
20 mm	$t_{FB} = (L_{FB} / 13 \text{ mm} \times 0.2 \text{ ms}) + 1 \text{ ms}$
30 mm	$t_{FB} = (L_{FB} / 25 \text{ mm} \times 0.2 \text{ ms}) + 1 \text{ ms}$
40 mm	$t_{FB} = (L_{FB} / 25 \text{ mm} \times 0.2 \text{ ms}) + 1 \text{ ms}$
90 mm	$t_{FB} = (L_{FB} / 75 \text{ mm} \times 0.2 \text{ ms}) + 1 \text{ ms}$

L_{FB} = length of the largest protective field area with floating blanking in mm

Resolution and safety distance when using the Reduced blanking function

Reduced resolution requires that the safety distance is calculated with the respective effective resolution corresponding to the following table instead of the physical resolution specified on the name plate.

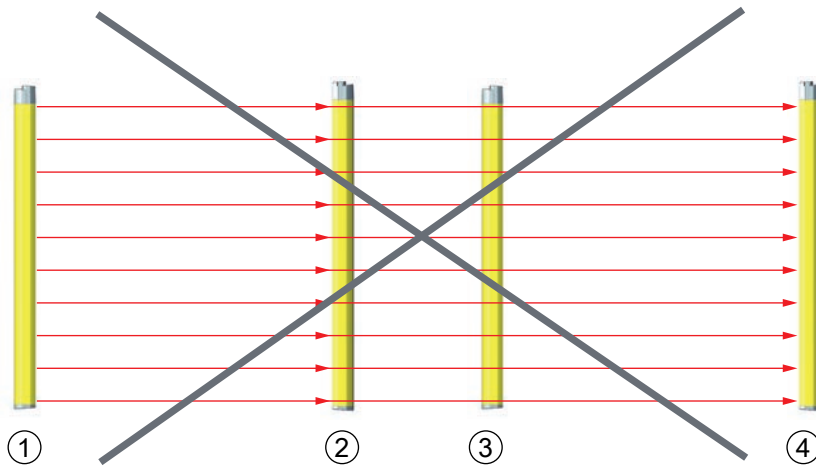
Tab. 6.6: Change of the effective resolution via the "Reduced resolution" function

Physical resolution	Effective resolution (1-beam)	Permitted size of non-monitored blanked objects	
		"worst case" at max. distance btw. transmitter - receiver	"best case" at min. distance btw. transmitter - receiver
14 mm	24	0 - 6 mm	0 - 12 mm
20 mm	33	0 - 5 mm	0 - 18 mm
30 mm	55	0 - 20 mm	0 - 28 mm
40 mm	58	0 - 12 mm	0 - 35 mm
90 mm	163	0 - 62 mm	0 - 85 mm

↪ Add the scanning time needed for the largest beam area with floating blanking to the response time.

6.1.6 Preventing mutual interference between adjacent devices

If a receiver is located in the beam path of an adjacent transmitter, optical crosstalk, and thus erroneous switching and failure of the protective function, may result.



- 1 Transmitter 1
- 2 Receiver 1
- 3 Transmitter 2
- 4 Receiver 2

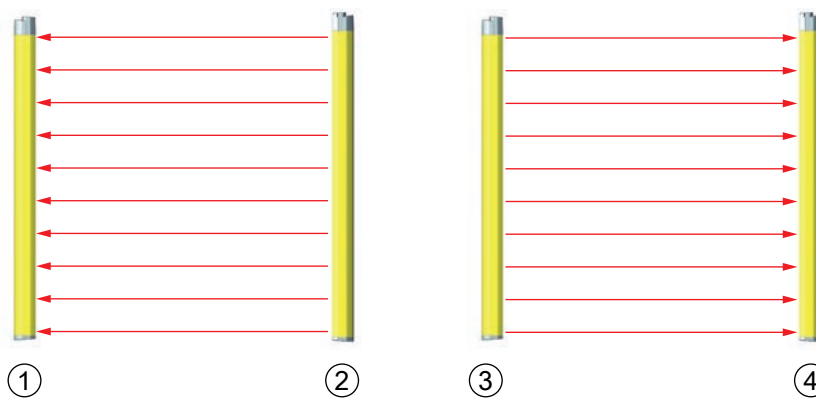
Fig. 6.4: Optical crosstalk between adjacent safety sensors (transmitter 1 influences receiver 2) due to incorrect mounting

NOTICE

Possible impairment of the availability due to systems mounted close to each other!
 The transmitter of one system can influence the receiver of the other system.
 ↪ Prevent optical crosstalk between adjacent devices.

↪ Mount adjacent devices with a shield between them or install a dividing wall to prevent mutual interference.

↪ Mount the adjacent devices opposite from one another to prevent mutual interference.






- 1 Receiver 1
- 2 Transmitter 1
- 3 Transmitter 2
- 4 Receiver 2

Fig. 6.5: Opposite mounting

6.2 Arrangement of the muting sensors



Muting sensors detect material and supply the signals necessary for muting. Standard IEC/TS 62046 provides basic information on arranging the muting sensors. This information must be observed when mounting the muting sensors.

 WARNING	
	<p>Improper installation may result in serious injury!</p> <p>If the distance between transmitter and receiver is larger than the width of the object so that gaps of more than 180 mm are created, suitable measures, e.g. through additional guarding, must be taken to stop the dangerous movement before persons enter the area.</p> <ul style="list-style-type: none"> ↳ Make sure that no persons can reach the danger zone alongside the transport material during muting. ↳ Make sure that muting is only temporarily activated and only as long as the access to the danger zone is blocked by the transport material.
NOTICE	
	<p>If accessible distances exist between the transport material and the safety sensor, PS mats or wicket gates monitored with safety switches have been tried, tested and proven as additional safeguards. Such measures prevent injuries caused, for example, by crushing in the access area.</p>

6.2.1 Basic information

Before you begin with the selection and mounting of the muting sensors (see chapter 6.2.2 "Selecting optoelectronic muting sensors"), please note the following:

- Muting must be triggered by two independent muting signals and must not be fully dependent on software signals, e.g. from a PLC.
- Always mount muting sensors so that the minimum distance to the protective device is maintained (see chapter 6.2.3 "Minimum distance for optoelectronic muting sensors").
- Always mount the muting sensors so that the material is detected and not the transport device, e.g. the pallet.
- Material must be allowed to pass through unimpeded.



 WARNING	
	<p>Unintentionally triggered muting may result in serious injury!</p> <ul style="list-style-type: none"> ↳ Mount the muting sensors in such a way that muting cannot be unintentionally triggered by a person, e.g. by simultaneously activating the muting sensors with a foot. ↳ Mount the muting indicator so that it is always visible from all sides.

6.2.2 Selecting optoelectronic muting sensors

Muting sensors detect material and supply the signals necessary for muting. If muting conditions are fulfilled, the safety sensor can use the signals from the muting sensors to bridge the protective function. The signals can be generated by e.g. optoelectronic sensors from Leuze electronic.

Any transducers which output a +24 VDC switching signal when detecting the permitted transport material can still be used as muting sensors:

- Photoelectric sensors (transmitter/receiver or retro-reflective photoelectric sensors) whose beam paths intersect behind the protective field within the danger zone.
 - A photoelectric sensor and an acknowledgment signal from the conveyor drive or a PLC signal, provided they are activated independently of each other and fulfill the simultaneity conditions.
 - Switching signals from induction loops that are activated e.g. by a high-lift truck.
 - Roller conveyor switches which are activated by the transport material and arranged so that they cannot be simultaneously actuated by a person.
- ↳ When arranging the muting sensors, take the filter times of the signal inputs into account (switch on filter time approx. 120 ms, switch-off filter times approx. 300 ms).

NOTICE	
	<p>For the connection of the muting sensors, Leuze recommends the use of the AC-SCM8U sensor connection module.</p> <p>If the sensor connection module is not used, it must be ensured that muting cannot be triggered by a ground fault or the interruption of the signal lines or power supply of the muting sensors.</p> <p>Overview of suitable Leuze muting sensors, see chapter 15 "Order guide and accessories".</p>
NOTICE	
	<p>When using muting sensors with push-pull output, a time difference of at least 20 ms is necessary for the muting signals.</p>


6.2.3 Minimum distance for optoelectronic muting sensors

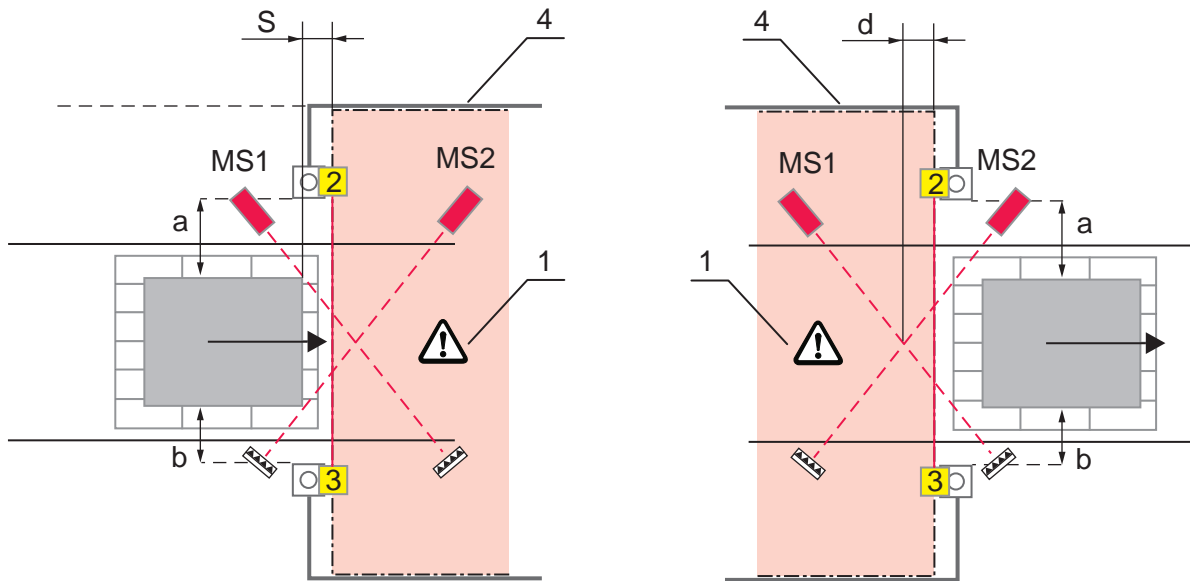
The minimum distance is the distance between the protective field of the AOPD and the detection points of the muting sensor light beams. This distance must be maintained when mounting the muting sensors to prevent the pallet or material from reaching the protective field before the muting signals can bridge the protective function of the AOPD. The minimum distance is dependent on the time needed by the system to process the muting signals (approx. 120 ms).

- ↪ Calculate the minimum distance depending on the application case for the timing controlled 2-sensor muting (see chapter 6.2.4 "Arrangement of the muting sensors for timing controlled 2-sensor muting").
- ↪ When arranging the muting sensors, make certain that the calculated minimum distance to the protective field is maintained.

6.2.4 Arrangement of the muting sensors for timing controlled 2-sensor muting

When doing so, both the MS1 and MS2 sensors must be arranged so that they can be activated simultaneously within 4 s by the transport material but cannot be simultaneously activated by a person within this time. Arrangements with crossed beams are often used. The intersection point is located here within the danger zone. This prevents muting from being triggered unintentionally. With this arrangement, an object can be transported through the protective field in both directions.

NOTICE	
	<p>Muting accessories from Leuze electronic, for example muting sensor sets and matching device columns, facilitate the installation of muting applications significantly.</p>



- 1 Danger zone
- 2 Receiver
- 3 Transmitter
- MS1 Muting sensor 1
- MS2 Muting sensor 2
- S Minimum distance between the protective field of the AOPD and the detection points of the muting-sensor light beams
- a,b Distance between muting object and other fixed edges or objects (<200 mm)
- d Distance from the intersection point of the muting-sensor light beams to the protective-field plane (<50 mm)

Fig. 6.6: Typical arrangement of the muting sensors for timing controlled 2-sensor muting (example acc. to IEC TS 62046)

With timing controlled 2-sensor muting, the beams from the muting sensors should intersect behind the protective field of the safety sensor, i.e. within the danger zone, to prevent muting from being triggered unintentionally.

Distances a and b between fixed edges and the muting object (e.g. transport material) must be such that a person cannot enter through these openings undetected while the pallet passes through the muting zone. However, if it is assumed that persons are located here, the risk of crushing must be prevented, e.g. with wicket gates, which are integrated electrically into the safety circuit.

Minimum distance S

$$S \geq v \cdot 0,12 \text{ s}$$

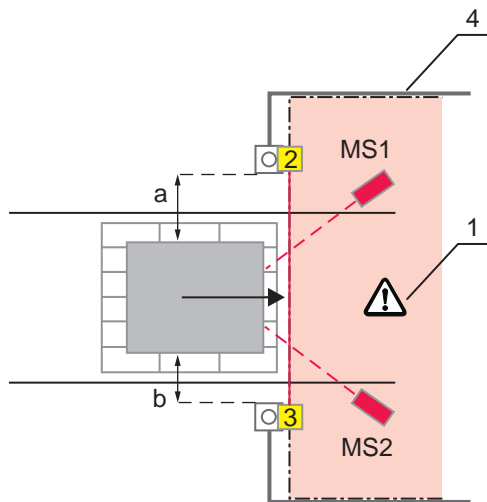
- S [mm] = Minimum distance between the protective field of the AOPD and the detection points of the muting-sensor light beams
- v [m/s] = Speed of the material

Distance d should be as small as practical

- d [mm] = Distance from the intersection point of the muting-sensor light beams to the protective-field plane < 200 mm

Arrangement of diffuse sensors

An additional option for arranging the muting sensors is shown in the following figure. The diffuse sensors are arranged and set within the danger zone so that their scanning points detect a valid, approaching muting object within the danger zone, but a person is not able to reach both scanning points simultaneously.



- 1 Danger zone
- 2 Receiver
- 3 Transmitter
- MS1 Muting sensor 1
- MS2 Muting sensor 2
- a,b Distance between muting object and other fixed edges or objects (<200 mm)

Fig. 6.7: Muting with two diffuse sensors

Height of the muting-sensor light beams

The two light beams of the muting sensors must have a minimum height of H.

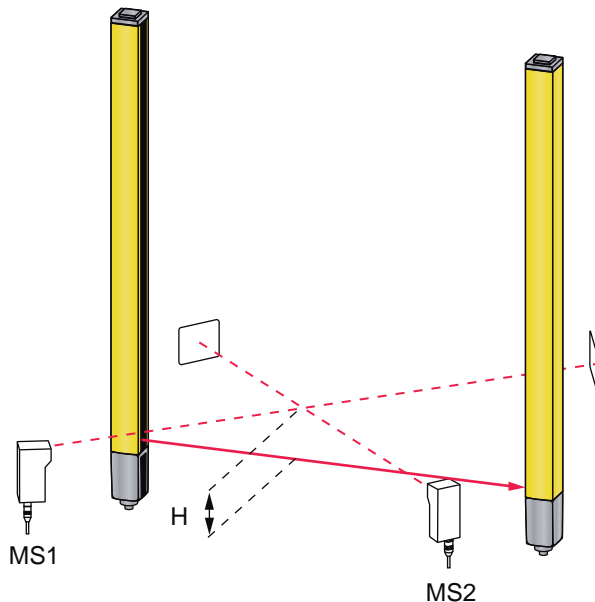



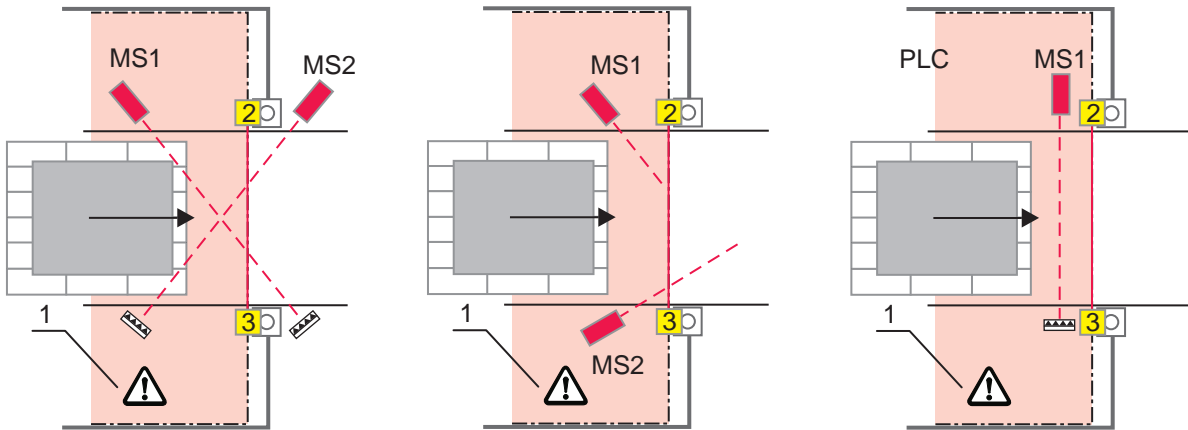
Fig. 6.8: Arrangement of the muting sensors with respect to height

- ↳ Mount the muting sensors so that the intersection point of their light beams is at the same height or higher than the lowest light beam of the safety sensor.
- ⇒ This prevents—or hinders—manipulation with the feet since the protective field is interrupted before the muting-sensor light beam.

NOTICE

 To increase safety and make manipulation more difficult, MS1 and MS2 should, if possible, be mounted at different heights (i.e. no point-shaped intersection of the light beams).

6.2.5 Arrangement of the muting sensors for timing controlled 2-sensor muting especially for exit applications



- 1 Danger zone
- 2 Receiver
- 3 Transmitter
- MS1 Muting sensor 1
- MS2 Muting sensor 2
- PLC PLC signal


Fig. 6.9: Arrangement of the muting sensor for timing controlled 2-sensor muting in an exit application

NOTICE

 The installation height of the muting sensor is not significant here, since manipulation within the danger zone can be ruled out.

The two muting signals must be activated simultaneously within 4 s and the PLC signal must be independent of the photoelectric sensor signal. An additional arrangement (see figure above) utilizes diffuse sensors which are arranged and set so that the scanning area of one of the two sensors does not extend out of the danger zone. This assumes that the transport material no longer stops when MS1 is exited.

NOTICE

 The muting function remains active up to 4 s after MS1 becomes free. This arrangement is also impossible to manipulate with safety light curtains up to a resolution of 40 mm from outside of the danger zone, as the protective field is interrupted before MS1 is reached.

6.3 Mounting the safety sensor

Proceed as follows:

- Select the type of fastening, e.g. sliding blocks (see chapter 6.3.3 "Fastening via BT-NC60 sliding blocks").
- Have a suitable tool at hand and mount the safety sensor in accordance with the notices regarding the mounting locations (see chapter 6.3.1 "Suitable mounting locations").
- If possible, affix safety notice stickers on the mounted safety sensor or device column (included in delivery contents).

After mounting, you can electrically connect (see chapter 7 "Electrical connection"), start up, align (see chapter 8 "Starting up the device"), and test (see chapter 9.1 "Before commissioning and following modifications") the safety sensor.

6.3.1 Suitable mounting locations

Area of application: Mounting

Tester: Technician who mounts the safety sensor

Tab. 6.7: Checklist for mounting preparations

Check:	Yes	No
Do the protective field height and dimensions satisfy the requirements of ISO 13855?		
Is the safety distance to the point of operation maintained (see chapter 6.1.1 "Calculation of safety distance S")?		
Is the minimum distance to reflective surfaces maintained (see chapter 6.1.4 "Minimum distance to reflective surfaces")?		
Is it impossible for safety sensors that are mounted next to one another to mutually interfere with one another (see chapter 6.1.6 "Preventing mutual interference between adjacent devices")?		
Can the point of operation or the danger zone only be accessed through the protective field?		
Has bypassing the protective field by crawling under, reaching over, or jumping over been prevented or has corresponding additional distance C_{RO} in accordance with ISO 13855 been observed?		
Is stepping behind the protective device prevented or is mechanical protection available?		
Do the transmitter and receiver connections point in the same direction?		
Can the transmitter and receiver be fastened in such a way that they cannot be moved and turned?		
Is the safety sensor accessible for testing and replacing?		
Is it impossible to actuate the reset button from within the danger zone?		
Can the entire danger zone be seen from the installation site of the reset button?		
Can reflection caused by the installation site be ruled out?		

NOTICE



If you answer one of the items on the checklist above with **no**, the mounting location must be changed.

6.3.2 Definition of directions of movement

The following terms for alignment movements of the safety sensor around one of its axes are used:

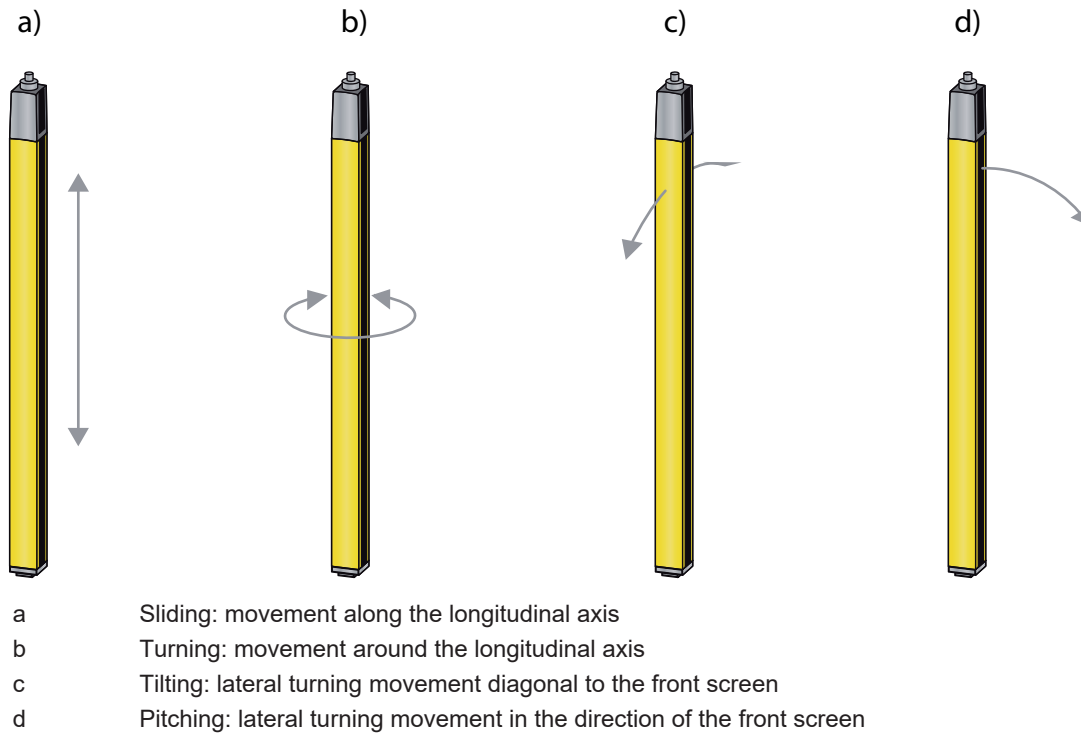


Fig. 6.10: Directions of movement during alignment of the safety sensor

6.3.3 Fastening via BT-NC60 sliding blocks

By default, transmitter and receiver are delivered with 2 BT-NC60 sliding blocks each in the side slot. This makes fastening the safety sensor to the machine or system to be safeguarded easy via four M6 screws. Sliding in the direction of slot to set the height is possible, but turning, tilting and pitching is not.

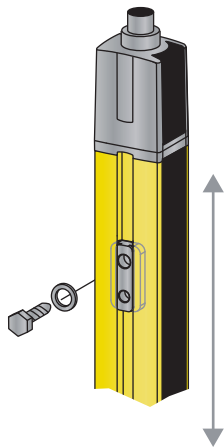


Fig. 6.11: Mounting via sliding blocks BT-NC60

6.3.4 Fastening via BT-2HF swivel mount

With the swivel mount (see chapter 15 "Order guide and accessories"), sold separately, the safety sensor can be aligned as follows:

- Sliding through the vertical threaded holes in the wall plate of the swivel mount
- Turning by 360° around the longitudinal axis by fixing on the screw-on cone
- Pitching in the direction of the protective field with horizontal threaded holes in the wall mounting
- Tilting around main axis

The wall mounting through threaded holes makes it possible to lift the mounting bracket after the screws have been loosened over the connection cap. Therefore, the mounting brackets do not need to be removed from the wall when exchanging the device. Loosening the screws is sufficient.

For increased mechanical loads, mounting brackets are also available in a vibration-damped version (BT-2HF-S) (see chapter 15 "Order guide and accessories").

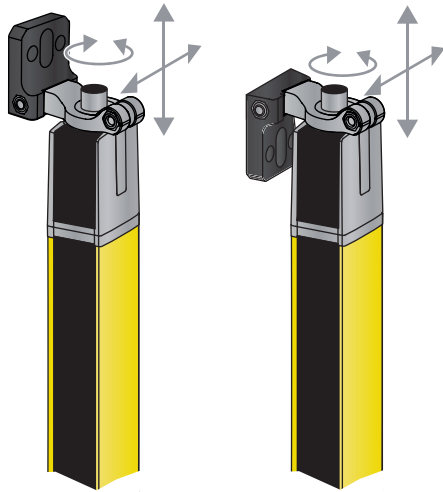


Fig. 6.12: Mounting via swivel mount BT-2HF

6.3.5 Fastening via BT-2SB10 swiveling mounting brackets

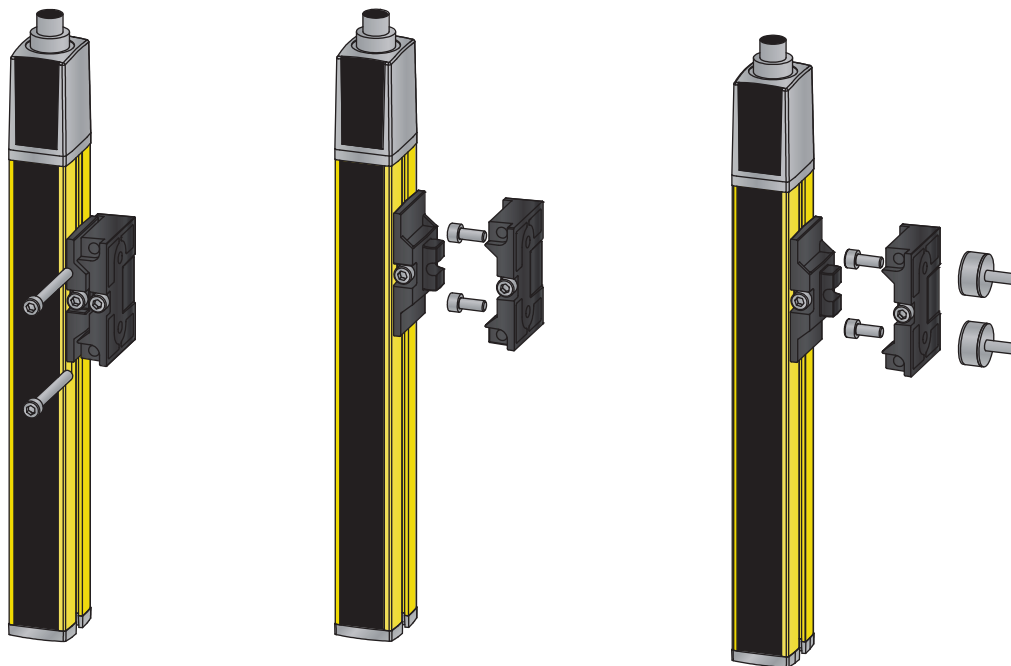


Fig. 6.13: Mounting via swiveling mounting brackets BT-2SB10

For larger protective field heights > 900 mm, the use of the BT-2SB10 swiveling mounting brackets is recommended (see chapter 15 "Order guide and accessories"). For increased mechanical requirements, these are also available as vibration-damped version (BT-2SB10-S). Depending on the installation situation, environmental conditions and protective field length (> 1200 mm), other mounting brackets may also be necessary.

6.3.6 One-sided mounting on the machine table

The safety sensor can be mounted directly on the machine table via an M5 screw on the blind hole in the end cap. On the other end, a BT-2HF swivel mount can be used, for example, so that turning movements for alignment are possible despite the fact that the sensor is mounted on one side. The full resolution of the safety sensor is thus preserved on all points of the protective field down to the machine table.

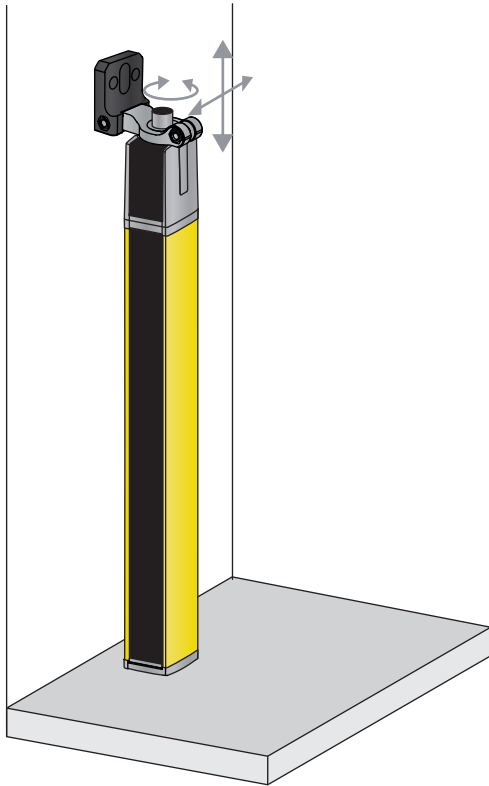


Fig. 6.14: Mounting directly on the machine table



WARNING



Impairment of the protective function due to reflections on the machine table!

- ↪ Make sure that reflections on the machine table are prevented reliably.
- ↪ After mounting and every day after that, check the detection capability of the safety sensor in the entire protective field using a test rod (see chapter 9.3.1 "Checklist – periodically by the operator").

6.4 Mounting accessories

6.4.1 AC-SCM8 sensor connection module

The AC-SCM8 and AC-SCM8-BT sensor connection modules are used for the local connection of sensors as well as controls and indicators near the receiver. While AC-SCM8 is the connection module in the standard housing which is mounted directly on the machine via the M4 screws, the AC-SCM8-BT also contains a mounting plate which opens up further mounting options:

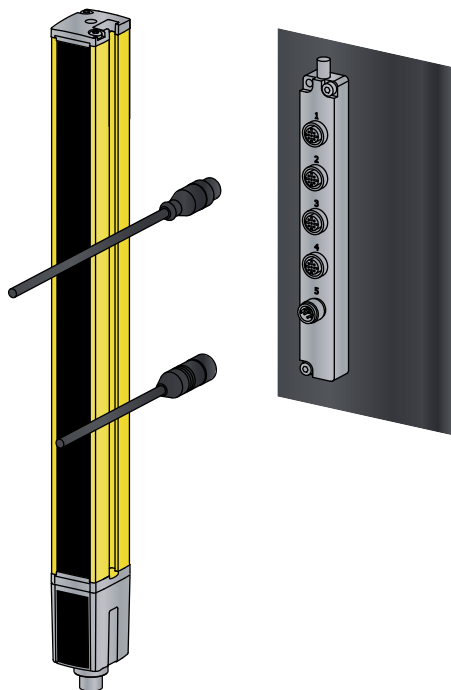


Fig. 6.15: Mounting options of the AC-SCM8

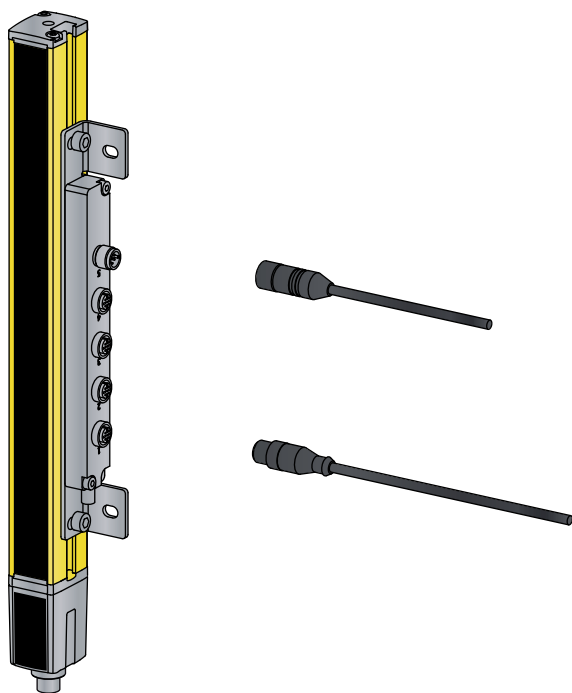


Fig. 6.16: Mounting options of the AC-SCM8-BT

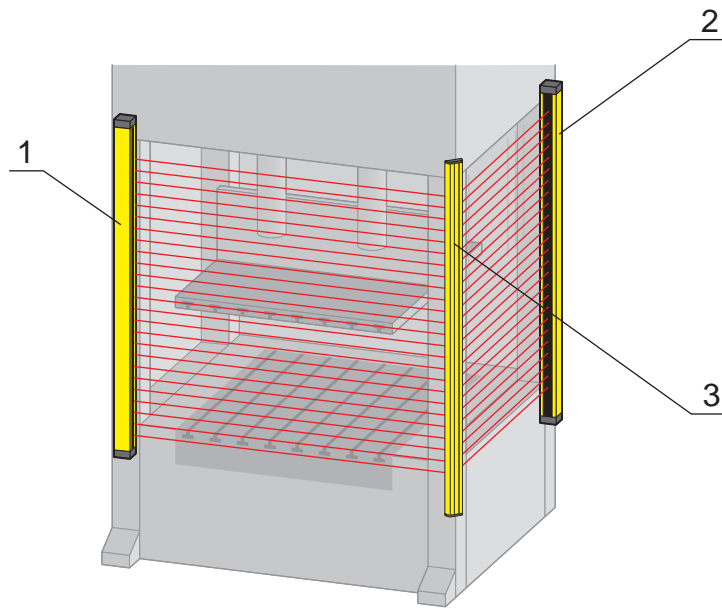
6.4.2 Deflecting mirror for multiple-side guarding

For multiple-side guarding, redirecting the protective field with one or two deflecting mirrors is economical. To do this, Leuze electronic supplies:

- The UM60 deflecting mirror for mounting on the machine in various lengths (see chapter 15 "Order guide and accessories")
- suitable BT-2UM60 swivel mounts
- UMC-1000-S2 ... UMC-1900-S2 deflecting mirror columns with spring-damped base for free-standing floor mounting

The range is reduced by approx. 10 % per deflection. A laser alignment aid with red light laser is recommended for the alignment of transmitter and receiver (see chapter 8.3 "Aligning of deflecting mirrors with the laser alignment aid").

↪ Note that the distance between the transmitter and the first deflecting mirror cannot be larger than 3 m.



- | | |
|---|-------------------------|
| 1 | Transmitter |
| 2 | Receiver |
| 3 | UM60 deflecting mirrors |

Fig. 6.17: Arrangement with deflecting mirror for 2-side guarding of a point of operation

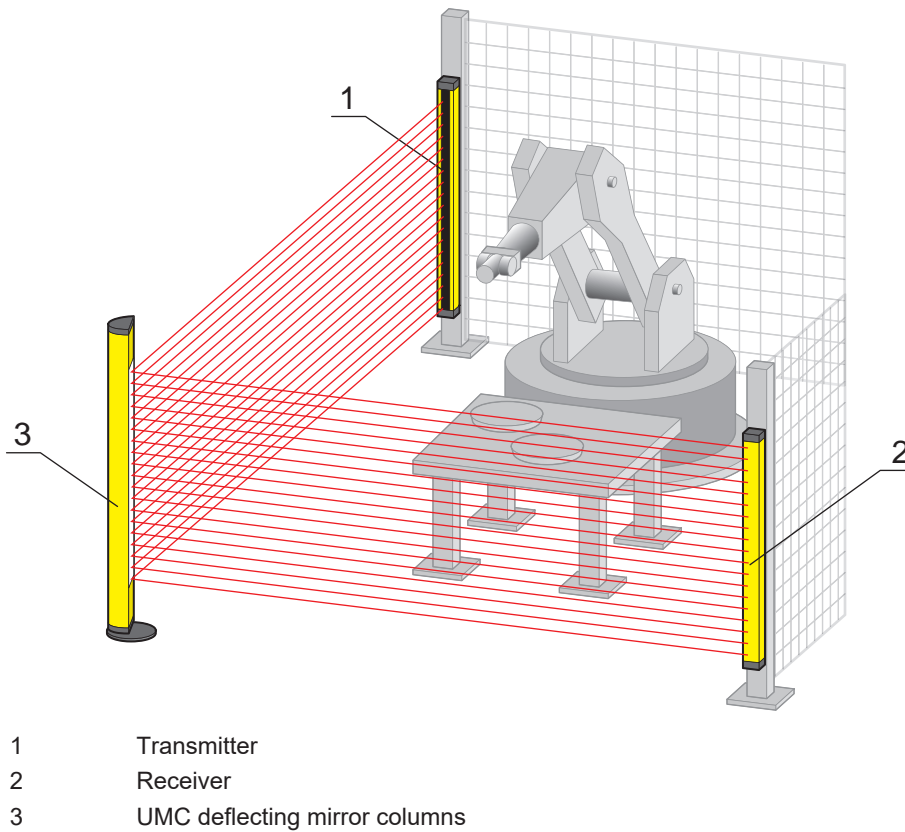


Fig. 6.18: Arrangement with deflecting mirror columns for two-side guarding of a point of operation

6.4.3 MLC-PS protective screen

If there is a risk that the protective plastic screens of the safety sensors could get damaged, e.g. by welding sparks, placing the additional, easy-to-replace MLC-PS protective screen in front of the safety sensors can protect the device protective screen and considerably increase the availability of the safety sensor. Mounting is performed using special clamp brackets, which are fastened on the lateral slot, via an Allen screw accessible from the front on each. The range of the safety sensor is reduced by approx. 5%; when protective screens are used on the transmitter and the receiver it is reduced by 10%. Mounting bracket sets with 2 and 3 clamp brackets are available.

NOTICE



If the length equals 1200 mm or higher, 3 clamp brackets are recommended.

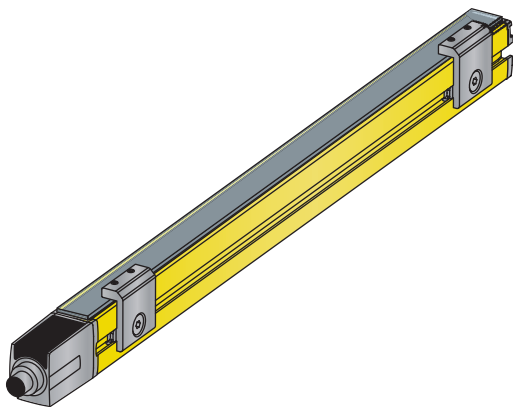








Fig. 6.19: MLC-PS protective screen fastened with MLC-2PSF clamp bracket

7 Electrical connection

 WARNING	
	<p>Faulty electrical connection or improper function selection may result in serious injury!</p> <ul style="list-style-type: none"> ↪ Only allow qualified persons (see chapter 2.2 "Necessary competencies") to perform the electrical connection. ↪ Make certain that the safety sensor is protected against overcurrent. ↪ For access guarding, activate the start/restart interlock and make certain that it cannot be unlocked from within the danger zone. ↪ Select the functions so that the safety sensor can be used as intended (see chapter 2.1 "Intended use and foreseeable misuse"). ↪ Select the safety-relevant functions for the safety sensor (see chapter 4 "Functions"). ↪ Always loop both safety-related switching outputs OSSD1 and OSSD2 into the work circuit of the machine. ↪ Signal outputs must not be used for switching safety-relevant signals.
NOTICE	
	<p>SELV/PELV!</p> <ul style="list-style-type: none"> ↪ Acc. to EN 60204-1, the external power supply must demonstrate the ability to bridge short-term mains failures of up to 20 ms. The power supply unit must ensure safe mains separation (SELV/PELV) and a current reserve of at least 2 A.
NOTICE	
	<p>Laying cables!</p> <ul style="list-style-type: none"> ↪ Lay all connection cables and signal lines within the electrical installation space or permanently in cable ducts. ↪ Lay the cables and lines so that they are protected against external damages. ↪ For further information: see EN ISO 13849-2, Table D.4.
NOTICE	
	<p>Device connection!</p> <ul style="list-style-type: none"> ↪ Use shielded cables for device connection.
NOTICE	
	<p>Reset!</p> <p>Pin1 of the receiver is a clocked input and output. It is thus not possible to couple the reset signal with other devices. This can result in an erroneous, automatic reset trigger.</p>

7.1 Pin assignment transmitter and receiver

7.1.1 MLC 500 transmitter

MLC 500 transmitters are equipped with a 5-pin M12 connector.

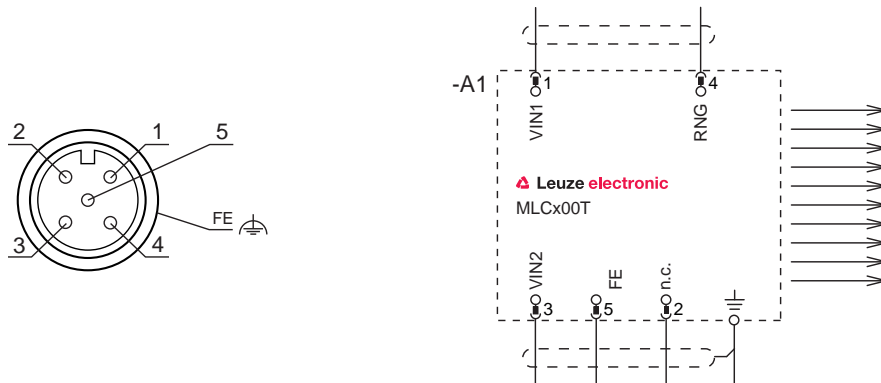


Fig. 7.1: Pin assignment and connection diagram transmitter

Tab. 7.1: Pin assignment transmitter

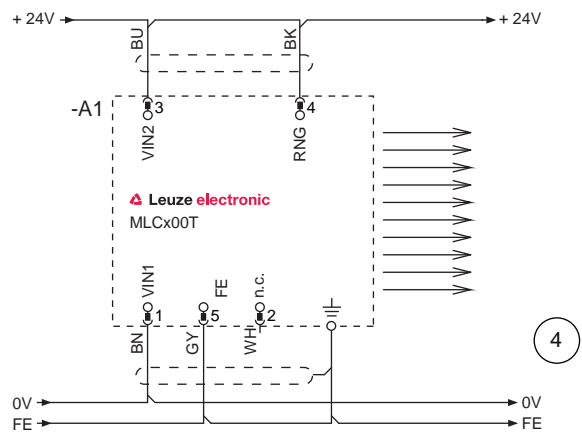
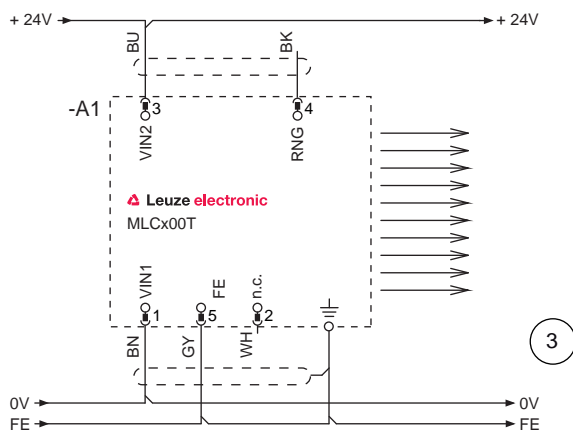
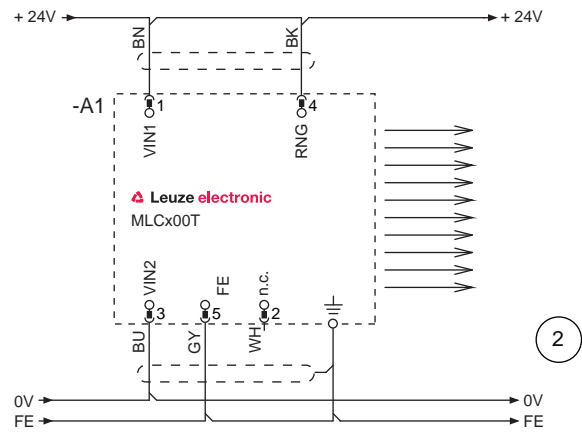
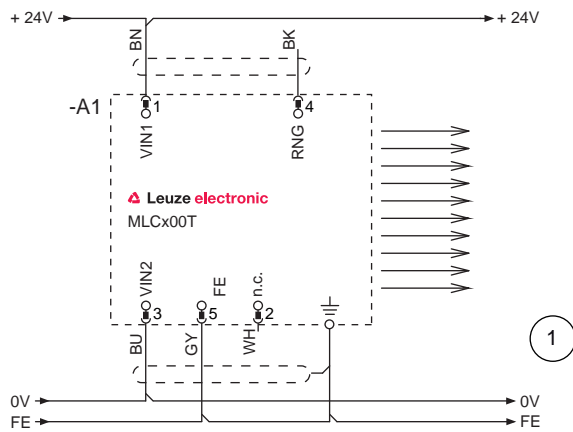
Pin	Core color (CB-M12-xx000E-5GF)	Transmitter
1	Brown	VIN1 - supply voltage
2	White	n.c.
3	Blue	VIN2 - supply voltage
4	Black	RNG - range
5	Gray	FE - functional earth, shield
FE		FE - functional earth, shield

The polarity of the supply voltage selects the transmission channel of the transmitter:

- VIN1 = +24 V, VIN2 = 0 V: transmission channel C1
- VIN1 = 0 V, VIN2 = +24 V: transmission channel C2

The wiring of pin 4 determines the transmitting power and thereby the range:

- Pin 4 = +24 V: standard range
- Pin 4 = 0 V or open: reduced range



- 1 Transmission channel C1, reduced range
- 2 Transmission channel C1, standard range
- 3 Transmission channel C2, reduced range
- 4 Transmission channel C2, standard range

Fig. 7.2: Connection examples transmitter

7.1.2 MLC 530 receiver

MLC 530 receivers are equipped with a 8-pin M12 connector.

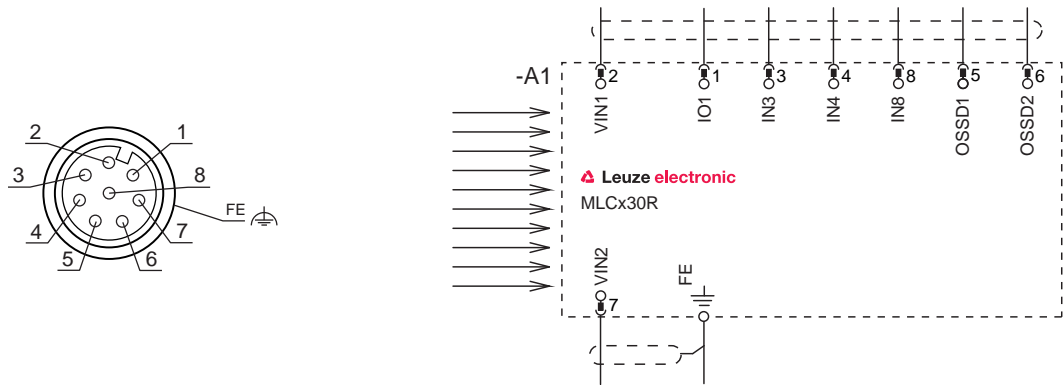


Fig. 7.3: Pin assignment and connection diagram receiver

Tab. 7.2: Pin assignment receiver

Pin	Core color (CB-M12-xx000E-5GF)	Receiver
1	White	IO1 - control-input function selection, control-input reset button, signal output
2	Brown	VIN1 - supply voltage
3	Green	IN3 - control input
4	Yellow	IN4 - control input
5	Gray	OSSD1 - safety-related switching output
6	Pink	OSSD2 - safety-related switching output
7	Blue	VIN2 - supply voltage
8	Red	IN8 - control input
FE		FE - functional earth, shield

7.2 AC-SCM8 sensor connection module

The sensor connection module is an optional accessory (see chapter 15 "Order guide and accessories"). It is used to connect the different types of sensors to the receiver. It is connected directly to the receiver with its 0.5 m long connection cable. The 8 wires are led through the module and are available on the 8-pin plug of the module. The sensors are connected to these cables via the 5-pin M12 sockets of the connection module.

NOTICE	
	The length of the sensor connection module cable must not be increased.

Tab. 7.3: AC-SCM8 sensor connection module pin assignment

Pin	Connection to the MLC 530	X1	X2	X3	X4	X5
1	IO1	24 V	24 V	24 V	24 V	IO1
2	VIN1	IO1	IN8	IN3	IN4	VIN1
3	IN3	0 V	0 V	0 V	0 V	IN3
4	IN4	IO1	IN3	IN4	IN8	IN4
5	OSSD1	IN8	IO1	IO1	IO1	OSSD1
6	OSSD2					OSSD2
7	VIN2					VIN2
8	IN8					IN8
Shield on connector housing (X1) and coupling ring (X5)	FE					FE

The inner wiring of the sensor connection module is specially adapted to the operating modes of the receivers. Independent of the polarity of the operating voltage of the cabinet, +24 V DC on pin 1 and 0 V on pin 3 is always applied to the 5-pin A-coded sockets of the connection module. On each socket X2, X3 and X4, one of the possible receiver control inputs 3, 4 and 8 is applied on pin 4. A second signal is present on pin 2 of all sockets, so that all pin combinations, 3/4, 3/8 and 4/8, are available on every socket. The shield of the connection cable is distributed on the thread of each socket.

When connecting sensors which deliver a single-channel signal, such as photoelectric sensors as muting sensors, a three-wire connection cable with connection to pins 1, 3 and 4 must be used. Four- or five-wire connection cables are necessary for the connection of two-channel sensors and operational controls. Suitable connection cables are available as accessories (see chapter 15 "Order guide and accessories").

NOTICE

Circuit diagram examples for the sensor connection module can be found in the following chapters for the respective operating modes.

7.3 Operating mode 1

The following functions can be selected via external wiring:

- Fixed blanking can be taught without size tolerance and activated/deactivated during operation (see chapter 4.7.1 "Fixed blanking").
- Integration of contact-based safety circuit possible (see chapter 4.6.1 "Contact-based safety circuit").
- The two functions named can be combined (see table below).

Permanent settings which cannot be changed by control signals:

- Internal start/restart interlock deactivated
- SingleScan selected

NOTICE

Teach blanking by opening the bridge between pin 1 and pin 8 with a teach key switch and applying a voltage of +24 V to pin 1 and a voltage of 0 V to pin 8 (see table below).

Tab. 7.4: Pin assignment operating mode 1

Pin	Continuous operation with blanking	Continuous operation without blanking	Teaching the blanking (open bridge, apply voltage)	Integration of a contact-based safety circuit
1 (IO1)	Bridge to pin 8 (IN8)	Bridge to pin 8 (IN8)	+24 V	
3 (IN3)	+24 V	0 V		Normal closed contact between "Active/inactive blanking" switch and device or Normal closed contact between existing "Active/inactive blanking" wiring and device
4 (IN4)	0 V	+24 V		Normal closed contact between "Active/inactive blanking" switch and device or Normal closed contact between existing "Active/inactive blanking" wiring and device
8 (IN8)	Bridge to pin 1 (IO1)	Bridge to pin 1 (IO1)	0 V	
2	0 V	0 V	0 V	0 V
7	+24 V	+24 V	+24 V	+24 V
5	OSSD1	OSSD1	OSSD1	OSSD1
6	OSSD2	OSSD2	OSSD2	OSSD2

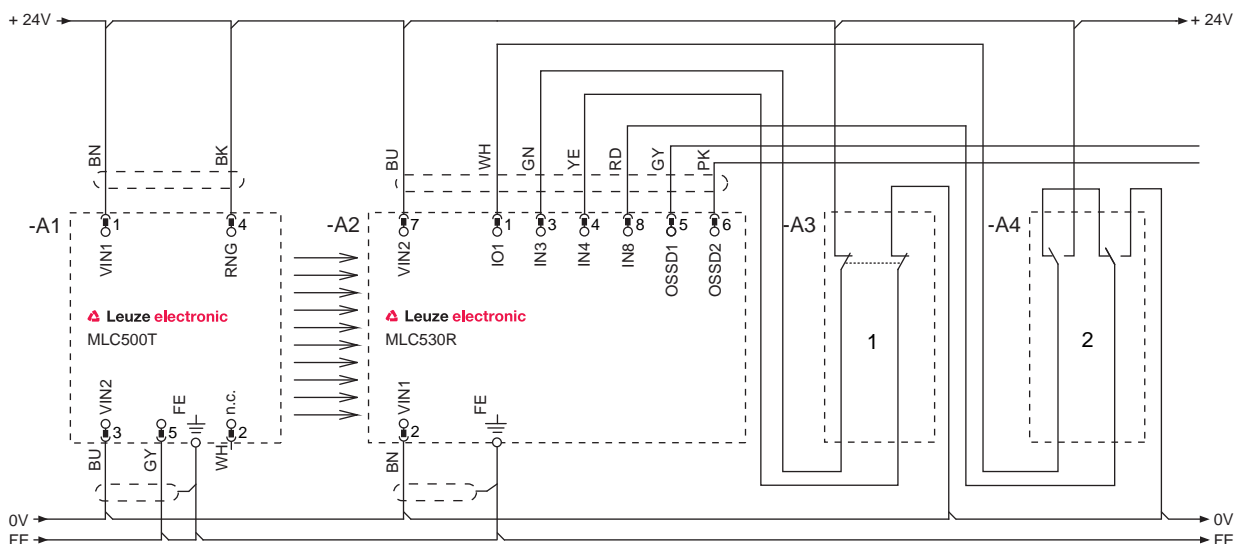


Fig. 7.4: Operating mode 1: circuit diagram example of linkage with position switch for monitoring for the presence of machine parts with fixed blanking

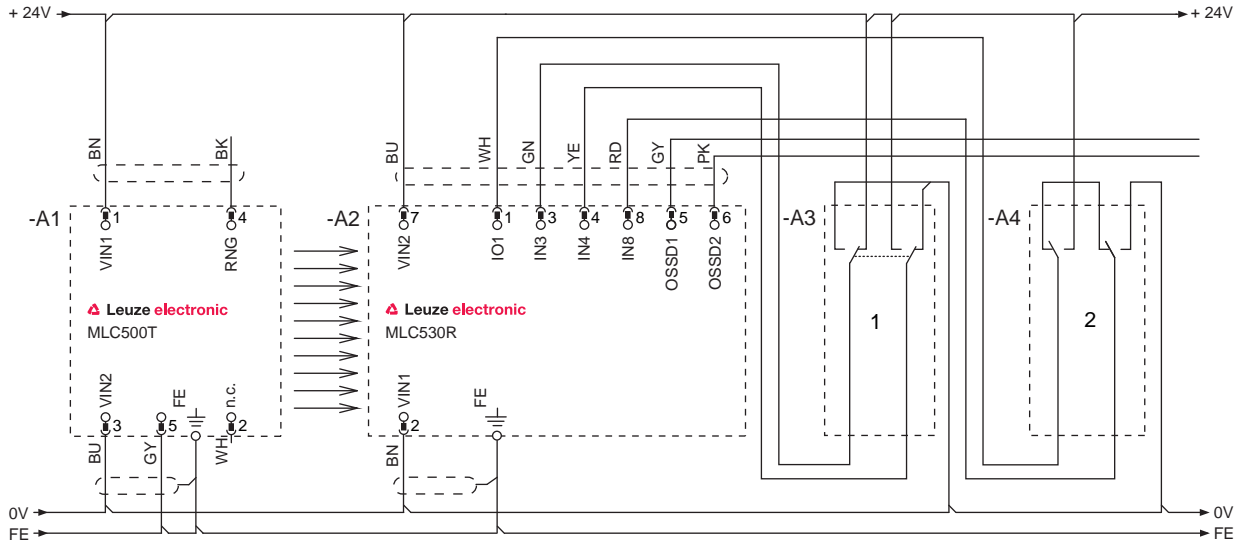


Fig. 7.5: Operating mode 1: circuit diagram example with manual protective field changeover for activating/deactivating fixed blanking areas

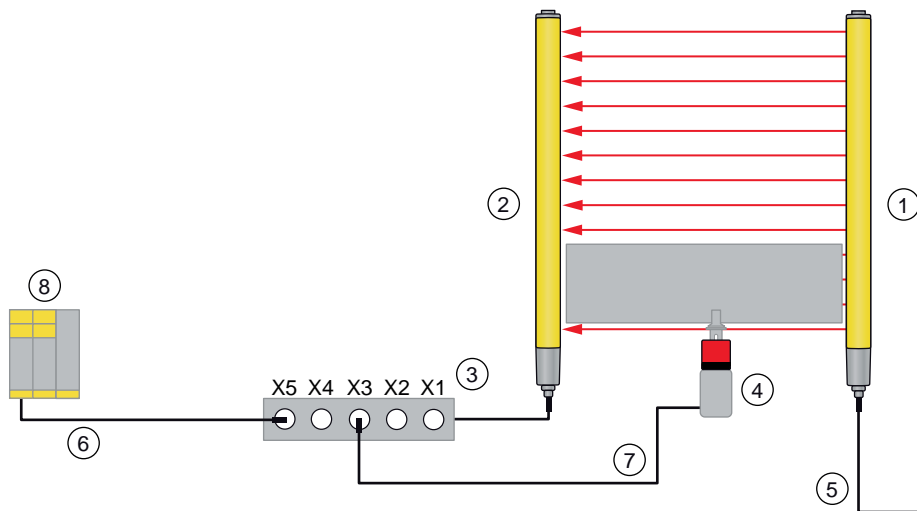


Fig. 7.6: Operating mode 1: connection example with position switch for monitoring a blanked object to prevent manipulation

- 1 MLC 500 transmitter
- 2 MLC 530 receiver
- 3 AC-SCM8 sensor connection module
- 4 S200 safety position switch
- 5 Connection cable, 5-pin
- 6 Connection cable, 8-pin
- 7 Connection or interconnection cable, 5-pin
- 8 MSI 100 safety relay


7.4 Operating mode 2

The following functions can be selected via external wiring:

- Fixed blanking can be taught without size tolerance (see chapter 4.7.1 "Fixed blanking").
- Linkage of electronic safety-related switching outputs possible (see chapter 4.6.2 "Linkage of electronic safety-related switching outputs").
- Linkage of contact-based safety-related switching outputs in addition to linkage of electronic safety-related switching outputs possible (see chapter 4.6.1 "Contact-based safety circuit").
- The functions listed can be combined (see table below).

Permanent settings which cannot be changed by control signals:

- Internal start/restart interlock deactivated
- SingleScan selected

NOTICE	
	Teach blanking by opening the bridge between pin 1 and pin 4 with a teach key switch and applying a voltage of +24 V to pin 1 and a voltage of 0 V to pin 4 (see chapter 7.3 "Operating mode 1", table).

Tab. 7.5: Pin assignment operating mode 2

Pin	Linkage of electronic safety-related switching outputs	Teaching the blanking (open bridge, apply voltage)	Fixed blanking and linkage of electronic safety-related switching outputs
1 (IO1)	Bridge to pin 4 (IN4)	+24 V	
3 (IN3)	OSSD1 from the upstream device		Normal closed contact between electronic safety-related switching outputs and device
4 (IN4)	Bridge to pin 1 (IO1)	0 V	
8 (IN8)	OSSD2 from the upstream device		Normal closed contact between electronic safety-related switching outputs and device
2	0 V	0 V	0 V
7	+24 V	+24 V	+24 V
5	OSSD1	OSSD1	OSSD1
6	OSSD2	OSSD2	OSSD2

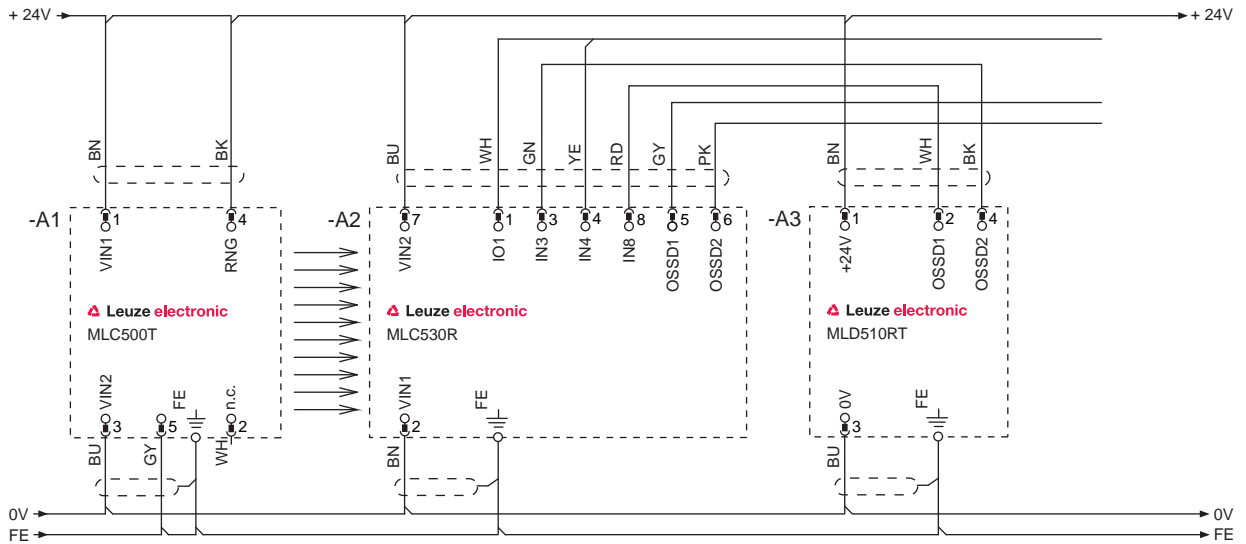
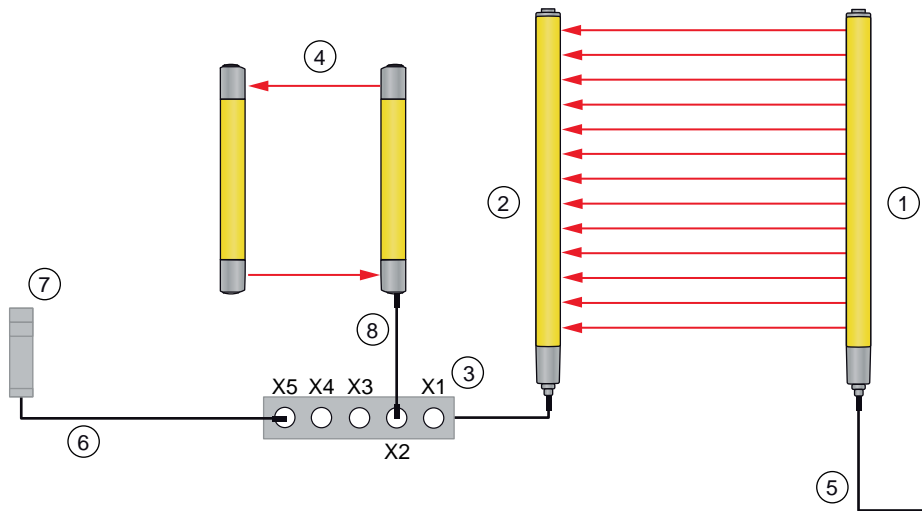


Fig. 7.7: Operating mode 2: circuit diagram example of linkage of electronic safety-related switching outputs for the combined monitoring of access points and areas



- 1 MLC 500 transmitter
- 2 MLC 530 receiver
- 3 AC-SCM8 sensor connection module
- 4 Multiple light beam safety device, MLD510-RT2 transceiver and MLD-M002 deflecting mirror
- 5 Connection cable, 5-pin
- 6 Connection cable, 8-pin
- 7 MSI-SR4 safety relay with RES and EDM
- 8 Interconnection cable, 5-pin

Fig. 7.8: Operating mode 2: connection example with MLC 530 and ??? for combining point of operation and access guarding


7.5 Operating mode 3

The following functions are summarized in function groups (FG) which can be selected by switching between IN4 and IN8. In FG1, fixed and/or floating blanking can be selected, reduced resolution and SingleScan are pre-set and permanent and there is an option of integrating a contact-based safety circuit. In FG2, fixed blanking can be activated, DoubleScan is pre-set and permanent and there is an option of integrating a contact-based safety circuit.

- Fixed blanking (see chapter 4.7.1 "Fixed blanking")
- Floating blanking (see chapter 4.7.2 "Floating blanking") as well as the combination of fixed and floating blanking (see table below).
- SingleScan, DoubleScan can be selected (see chapter 4.5 "Scan mode")
- Integration of contact-based safety circuit possible (see chapter 4.6.1 "Contact-based safety circuit")
- Reduced resolution (reduction by 1 beam) possible (see chapter 4.7.4 "Reduced resolution")

Permanent settings which cannot be changed by control signals:

- Internal start/restart interlock deactivated

NOTICE	
	Teach blanking by opening the bridge between pin 1 and pin 3 with a teach key switch and applying a voltage of +24 V to pin 1 and a voltage of 0 V to pin 3 (see chapter 7.3 "Operating mode 1", table).

Tab. 7.6: Operating mode 3 pin assignment with both FG1 and FG2 function groups

Pin	FG1: fixed and floating blanking as well as reduced resolution and SingleScan	FG2: fixed blanking and DoubleScan	Teaching the blanking (open bridge, apply voltage)	Integration of a contact-based safety circuit in FG1 and FG2
1 (IO1)	Bridge to pin 3 (IN3)	Bridge to pin 3 (IN3)	+24 V	
3 (IN3)	Bridge to pin 1 (IO1)	Bridge to pin 1 (IO1)	0 V	
4 (IN4)	+24 V	0 V		Normal closed contact between supply voltage or control output and pin
8 (IN8)	0 V	+24 V		Normal closed contact between protective field inputs and device
2	0 V	0 V	0 V	0 V
7	+24 V	+24 V	+24 V	+24 V
5	OSSD1	OSSD1	OSSD1	OSSD1
6	OSSD2	OSSD2	OSSD2	OSSD2

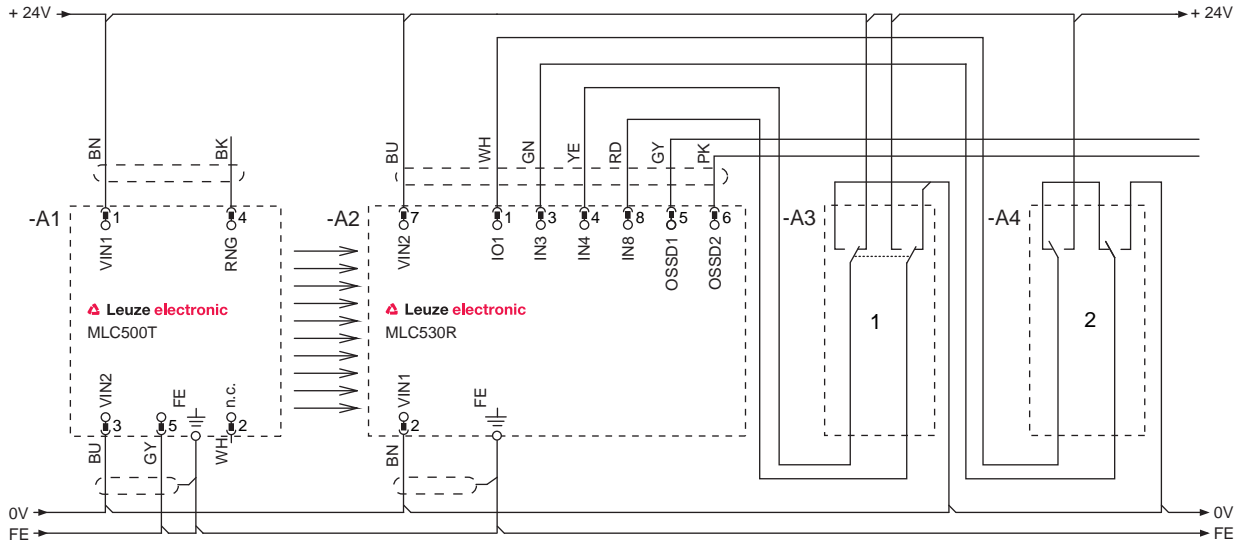


Fig. 7.9: Operating mode 3: circuit diagram example of a linked, contact-based position switch for monitoring of the blanked object and a changeover switch for switching between function groups FG1 and FG2

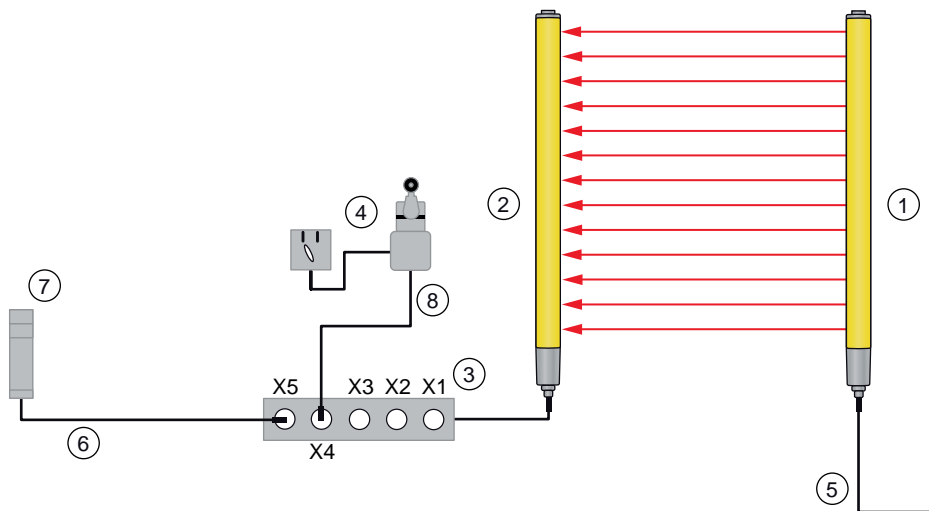


Fig. 7.10: Operating mode 3: connection example with changeover key switch for selecting function groups and contact-based position switches

- 1 MLC 500 transmitter
- 2 MLC 530 receiver
- 3 AC-SCM8 sensor connection module
- 4 S300 position switch + changeover switch
- 5 Connection cable, 5-pin
- 6 Connection cable, 8-pin
- 7 MSI-SR4 safety relay with RES and EDM
- 8 Connection or interconnection cable, 5-pin


7.6 Operating mode 4

The following functions can be selected via external wiring:

- Fixed blanking (see chapter 4.7.1 "Fixed blanking")
- Timing controlled 2-sensor muting (see chapter 4.8 "Timing controlled muting")

Permanent settings which cannot be changed by control signals:

- MaxiScan activated (see chapter 4.5 "Scan mode")
- Start/restart interlock activated (see chapter 4.1 "Start/restart interlock RES")

NOTICE	
	Teach blanking by opening the bridge between pin 1 and pin 8 with a teach key switch and applying a voltage of +24 V to pin 1 and a voltage of 0 V to pin 8 (see chapter 7.3 "Operating mode 1", table).

Tab. 7.7: Pin assignment operating mode 4

Pin	Timing controlled 2-sensor muting	Teaching the blanking (open bridge, apply voltage)	Reset muting restart / RES (0.15 to 4 s) or muting override (max. 150 s)
1 (IO1)	Bridge to pin 8 (IN8)	+24 V	+24 V
3 (IN3)	Muting signal 1 (+24 V muting begins, 0 V muting ends)		
4 (IN4)	Muting signal 2 (+24 V muting begins, 0 V muting ends)		
8 (IN8)	Bridge to pin 1 (IO1)	0 V	
2	+24 V	+24 V	+24 V
7	0 V	0 V	0 V
5	OSSD1	OSSD1	OSSD1
6	OSSD2	OSSD2	OSSD2

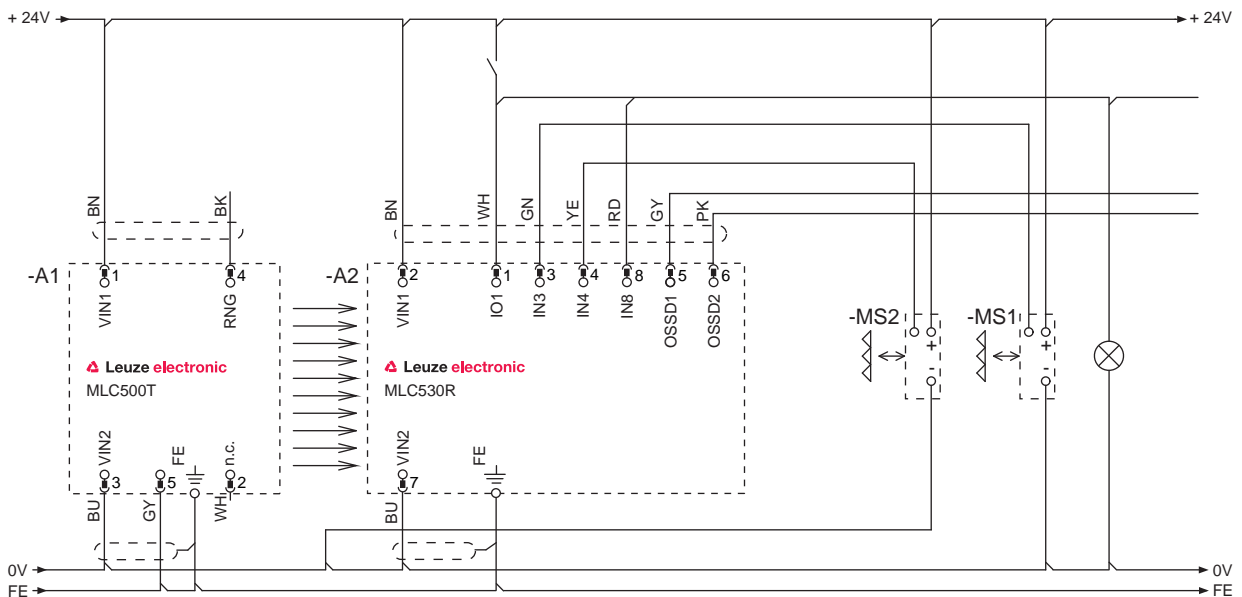


Fig. 7.11: Operating mode 4: circuit diagram example for timing controlled 2-sensor muting

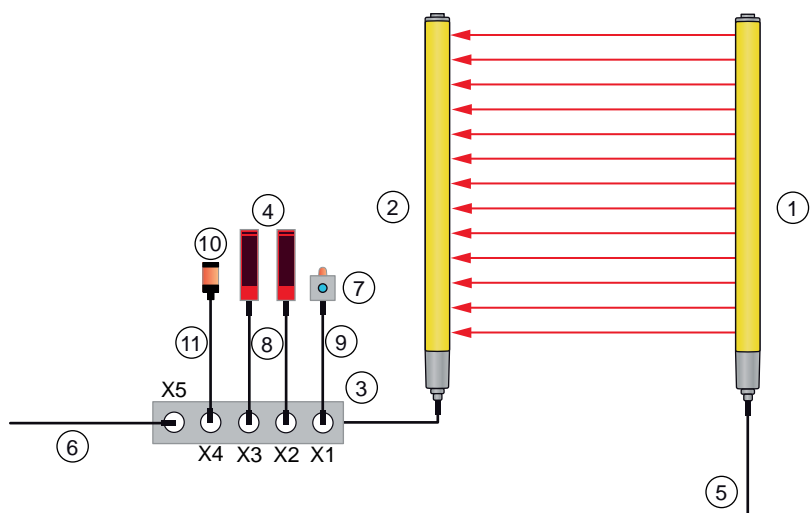


Fig. 7.12: Operating mode 4: connection example for timing controlled 2-sensor muting with control unit

- | | |
|----|----------------------------------|
| 1 | MLC 500 transmitter |
| 2 | MLC 530 receiver |
| 3 | AC-SCM8 sensor connection module |
| 4 | PRK 46B/4D.2-S12 muting sensors |
| 5 | Connection cable, 5-pin |
| 6 | Connection cable, 8-pin |
| 7 | AC-ABF-SL1 control unit |
| 8 | Interconnection cable, 3-pin |
| 9 | Interconnection cable, 5-pin |
| 10 | MS70/LED muting indicators |
| 11 | Connection cable, 5-pin |



WARNING



Impairment of the protective function due to faulty muting signals

↪ Note the order of the ground connections! The ground connection of receiver MLC 530R (VIN2) must be wired between the ground connections of muting sensors MS1 and MS2. For the muting sensors and the safety sensor, a shared power supply unit is to be used. The connection lines of the muting sensors must be laid separated from one another and protected.


7.7 Operating mode 6

The following functions can be selected via external wiring:

- Fixed blanking (see chapter 4.7.1 "Fixed blanking")
- Timing controlled 2-sensor muting (partial) (see chapter 4.8.1 "Partial muting")

Permanent settings which cannot be changed by control signals:

- MaxiScan activated (see chapter 4.5 "Scan mode")
- Start/restart interlock activated (see chapter 4.1 "Start/restart interlock RES")

NOTICE	
	Teach blanking by opening the bridge between pin 1 and pin 3 with a teach key switch and applying a voltage of +24 V to pin 1 and a voltage of 0 V to pin 3 (see chapter 7.3 "Operating mode 1", table).

Tab. 7.8: Pin assignment operating mode 6

Pin	Timing controlled 2-sensor muting (parallel), partial	Teaching the blanking (open bridge, apply voltage)	Reset muting restart / RES (0.15 to 4 s) or muting override (max. 150 s)
1 (IO1)	Bridge to pin 3 (IN3)	+24 V	+24 V
3 (IN3)	Bridge to pin 1 (IO1)	0 V	+24 V
4 (IN4)	Muting signal 1 (+24 V muting begins, 0 V muting ends)		
8 (IN8)	Muting signal 2 (+24 V muting begins, 0 V muting ends)		
2	+24 V	+24 V	+24 V
7	0 V	0 V	0 V
5	OSSD1	OSSD1	OSSD1
6	OSSD2	OSSD2	OSSD2

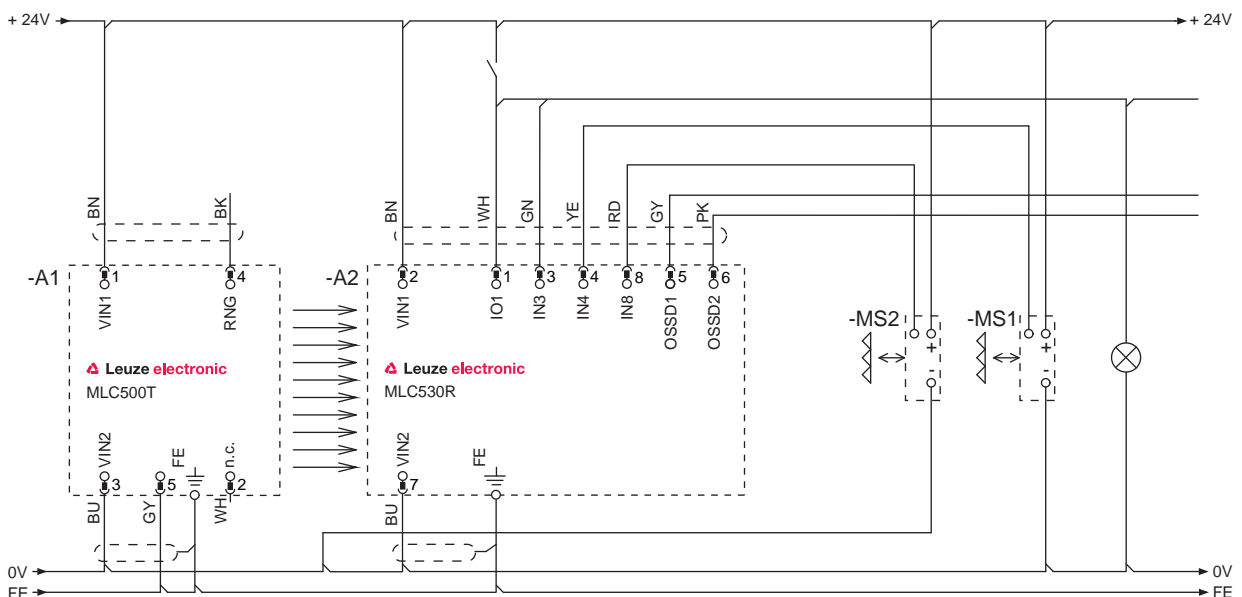


Fig. 7.13: Operating mode 6: circuit diagram example with timing controlled 2-sensor muting (partial)

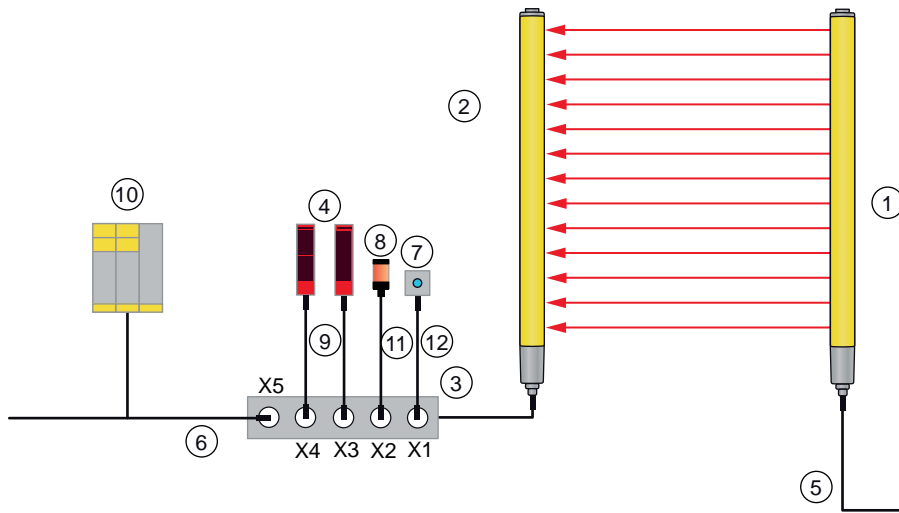


Fig. 7.14: Operating mode 6: connection example with timing controlled 2-sensor muting (partial), with control unit and muting indicator

- 1 MLC 500 transmitter
- 2 MLC 530 receiver
- 3 AC-SCM8 sensor connection module
- 4 PRK 46B/4D.2-S12 muting sensors
- 5 Connection cable, 5-pin
- 6 Connection cable, 8-pin
- 7 AC-ABF10 control unit
- 8 MS70/LED muting indicators
- 9 Interconnection cable, 3-pin
- 10 PLC, creates a muting signal to IN8
- 11 Connection cable, 5-pin
- 12 Interconnection cable, 5-pin





WARNING



Impairment of the protective function due to faulty muting signals

Note the order of the ground connections! The ground connection of receiver MLC 530R (VIN2) must be wired between the ground connections of muting sensors MS1 and MS2. For the muting sensors and the safety sensor, a shared power supply unit is to be used. The connection lines of the muting sensors must be laid separated from one another and protected.

8 Starting up the device

 WARNING	
	<p>Improper use of the safety sensor may result in serious injury!</p> <ul style="list-style-type: none"> ↳ Make certain that the entire device and the integration of the optoelectronic protective device were inspected by qualified and instructed persons (see chapter 2.2 "Necessary competencies"). ↳ Make certain that a dangerous process can only be started while the safety sensor is switched on.

Prerequisites:

- Safety sensor mounted (see chapter 6 "Mounting") and connected (see chapter 7 "Electrical connection") correctly
- Operating personnel were instructed in proper use
- Dangerous process is switched off, outputs of the safety sensor are disconnected, and the system is protected against being switched back on
- ↳ After start-up, check the function of the safety sensor (see chapter 9.1 "Before commissioning and following modifications").

8.1 Switching on


Requirements for the supply voltage (power supply unit):

- Safe mains separation is ensured.
- Current reserve of at least 2 A is available.
- The RES function is activated - either in the safety sensor or in the downstream control.
- ↳ Switch on the safety sensor.
- ⇒ The safety sensor performs a self test and then displays the response time of the receiver.

Check operational readiness of sensor

- ↳ Check whether LED1 is permanently lit green or red (see chapter 3.3.2 "Operating indicators on the MLC 530 receiver").
- ⇒ The safety sensor is ready for use.

8.2 Aligning the sensor

NOTICE	
	<p>Faulty or incorrect alignment may result in an operating fault!</p> <ul style="list-style-type: none"> ↳ The alignment performed during start-up should only be performed by qualified persons (see chapter 2.2 "Necessary competencies"). ↳ Observe the data sheets and mounting instructions of the individual components.

Prealignment

Fasten the transmitter and receiver in a vertical or horizontal position and at the same height so that

- the front screens are directed at each other.
- the transmitter and receiver connections point in the same direction.
- the transmitter and receiver are arranged parallel to each other, i.e. they are the same distance from each other at the beginning and end of the device.

Alignment can be performed with a clear protective field by observing the LEDs and the 7-segment display (see chapter 3.3 "Display elements").

- ↳ Loosen the screws on the mounting brackets or device columns.

NOTICE

Loosen the screws only enough so that the devices can just be moved.

- ↵ Turn the receiver to the left until LED1 still flashes green but does not yet illuminate red. If necessary, you may have to turn the transmitter beforehand.
 - ⇒ The receiver with activated alignment display shows flashing segments in the 7-segment display.
- ↵ Note the value of the twist angle.
- ↵ Turn the receiver to the right until LED1 still flashes green but does not yet illuminate red.
- ↵ Note the value of the twist angle.
- ↵ Set the optimum position of the receiver. This lies in the middle of the two values for the twist angle to the left and right.
- ↵ Tighten the fastening screws of the receiver.
- ↵ Now align the transmitter according to the same method, paying attention to the display elements of the receiver while doing so (see chapter 3.3.2 "Operating indicators on the MLC 530 receiver").

NOTICE

Separate alignment aids such as the AC-ALM are also available as accessories.



8.3 Aligning of deflecting mirrors with the laser alignment aid**NOTICE**

With its clearly visible red light spot, the external laser alignment aid facilitates the correct setting of the transmitter and receiver as well as the deflecting mirrors.

- ↵ Fasten the laser alignment aid on top on the side groove of the transmitter. Mounting instructions are included in the accessories.
- ↵ Switch on the laser. Take note of the operating instructions of the laser alignment aid concerning the safety notices and the activation of the laser alignment aid.
- ↵ Loosen the mounting bracket of the transmitter and turn or tilt or pitch the device so that the laser spot strikes the top of the first deflecting mirror (see chapter 6.3.2 "Definition of directions of movement").
- ↵ Now set the laser below on the transmitter and adjust it so that the laser spot strikes the bottom of the deflecting mirror.
- ↵ Now set the laser back up top on the transmitter and check if the laser spot still strikes the top of the deflecting mirror. If it does not, the mounting height of the transmitter must be changed, if applicable.
- ↵ Repeat the process until the laser strikes the respective point of the deflecting mirror, both on top and on bottom.
- ↵ Turn, tilt or pitch the deflecting mirror so that the laser spot strikes either the next deflecting mirror or the receiver in both positions.
- ↵ Repeat the process in reverse after setting the laser alignment aid above and below on the receiver. The laser beam must strike the transmitter in both cases if the receiver has been correctly aligned.
- ↵ Remove the laser alignment aid from the safety sensor.
- ↵ The protective field is free. Depending on the operating mode, the green or the red and the yellow LED on the receiver must be illuminated. With automatic restart the OSSDs switch on.

8.4 Unlocking start/restart interlock, muting-restart

The reset button can be used to unlock the start/restart interlock or to trigger a muting restart or muting override. In this way, the responsible person can restore the ON state of the safety sensor following process interruptions (due to triggering of protective function, failure of the voltage supply, muting errors) (see chapter 4.8.2 "Muting restart").

 WARNING	
	<p>Premature unlocking of the start/restart interlock may result in serious injury!</p> <p>If the start/restart interlock is unlocked, the system can start up automatically.</p> <p>↳ Before unlocking the start/restart interlock, make certain that no people are in the danger zone.</p>

The red LED of the receiver illuminates as long as the restart is locked (OSSD off). The yellow LED illuminates when the protective field is free and RES is activated (ready to be unlocked).

- ↳ Make certain that the active protective field is clear.
- ↳ Make certain that there are no people in the danger zone.
- ↳ Press and release the reset button within 0.15 to 4 s. The receiver switches to the ON state.

If you keep the reset button pressed longer than 4 s:

- Starting at 4 s: the reset request is ignored.
- Starting at 30 s: a +24 V short circuit is assumed on the reset input and the receiver switches to the interlock state (see chapter 11.1 "What to do in case of failure?").

8.5 Teaching of fixed blanking areas

Objects for "fixed blanking" cannot change their position during the teach event. The object must have a minimum size corresponding to the physical resolution of the ESPE. Teaching is done in the following steps:

- Initiating by actuating and releasing the teach key switch
- Accepting by actuating and releasing the teach key switch after 60 s or less.

A new teach event deletes the previously taught state. If the "Fixed blanking" function is to be deselected, this can be done by teaching a free protective field.

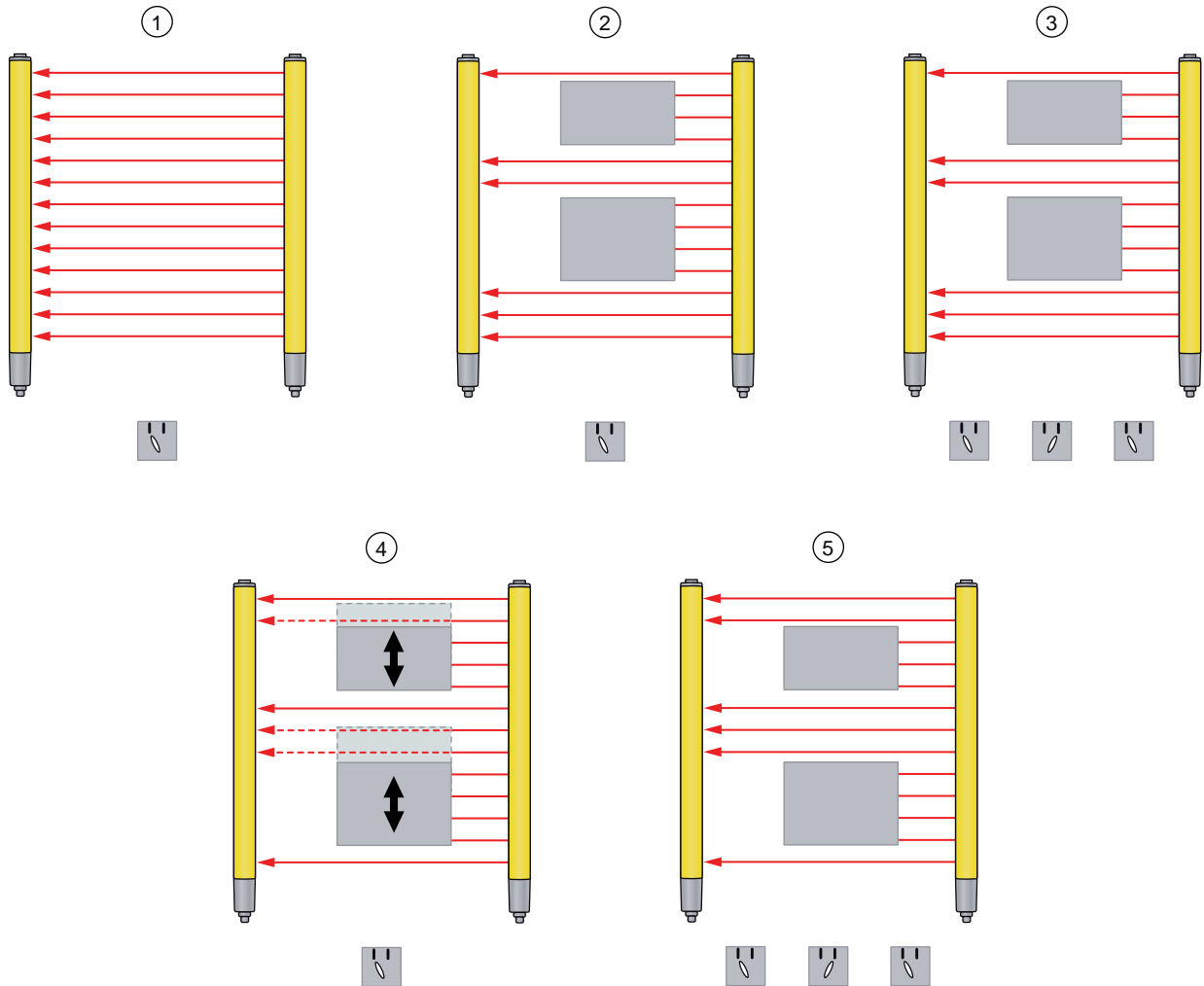
8.6 Teaching of floating blanking areas

Every object for "floating blanking" must move within its protective field area during teaching. Each protective field area must be separated by at least one light beam without blanking from the nearest protective field area, otherwise the two protective field areas will be interpreted as one continuous field. The objects must have a minimum size corresponding to the physical resolution of the ESPE.

Teaching of moving objects is done together with the teaching of fixed objects in the following steps:

- Initiating by actuating and releasing the teach key switch
- Moving of all moving objects to be blanked one after another in their beam areas within 60 s
- Accepting by actuating and releasing the teach key switch


If the "Floating blanking" function is to be deselected, this can be managed by re-teaching a free protective field or a protective field with only stationary objects.



- 1 Initial situation
- 2 Bring objects into the protective field
- 3 Start teaching - activate and release key switch
- 4 Moving of all moving objects to be blanked within 60 s in their blanking areas
- 5 End teaching - activate and release key switch

Fig. 8.1: Teaching floating and fixed blanking areas

9 Testing

NOTICE	
	<ul style="list-style-type: none"> ↪ Safety sensors must be replaced at the end of their mission time (see chapter 14 "Technical data"). ↪ Always exchange entire safety sensors. ↪ Observe any nationally applicable regulations regarding the tests. ↪ Document all tests in a comprehensible manner and include the configuration of the safety sensor along with the data for the safety- and minimum distances in the documentation.

9.1 Before commissioning and following modifications

 WARNING	
	<p>Unpredictable machine behavior during start-up may result in serious injury!</p> <ul style="list-style-type: none"> ↪ Make certain that there are no people in the danger zone.


- ↪ Before they begin work, train the operators on their respective tasks. The training is the responsibility of the operating company.
- ↪ Attach notes regarding daily testing in the respective national language of the operator on the machine in a highly visible location, e.g. by printing out the corresponding chapter (see chapter 9.3 "Periodically by the operator").
- ↪ Test the electrical function and installation according to this document.

Acc. to IEC 62046 and national regulations (e.g. EU directive 2009/104/EC), tests are to be performed by competent persons (see chapter 2.2 "Necessary competencies") in the following situations:

- Prior to commissioning
- Following modifications to the machine
- After longer machine downtime
- Following retrofitting or new configuration of the machine

- ↪ As preparation, check the most important criteria for the safety sensor according to the following checklist (see chapter 9.1.1 "Checklist for integrator – to be performed prior to commissioning and following modifications"). Completing the checklist does not replace testing by competent persons (see chapter 2.2 "Necessary competencies")!
- ⇒ Not until proper function of the safety sensor is ascertained may it be integrated in the control circuit of the system.

9.1.1 Checklist for integrator – to be performed prior to commissioning and following modifications

NOTICE	
	<p>Completing the checklist does not replace testing by a qualified person (see chapter 2.2 "Necessary competencies")!</p> <ul style="list-style-type: none"> ↪ If you answer one of the items on the following check list with no, the machine must no longer be operated. ↪ IEC 62046 contains additional recommendations on testing protective devices.

Tab. 9.1: Checklist for integrator – to be performed prior to the initial start-up and following modifications

Check:	Yes	No	not applicable
Is the safety sensor operated acc. to the specific environmental conditions that are to be maintained (see chapter 14 "Technical data")?			
Is the safety sensor correctly aligned and are all fastening screws and connectors secure?			

Check:	Yes	No	not applicable
Are safety sensor, connection cables, connectors, protection caps and command devices undamaged and without any sign of manipulation?			
Does the safety sensor satisfy the required safety level (PL, SIL, category)?			
Are both safety-related switching outputs (OSSDs) integrated in the downstream machine control acc. to the required safety category?			
Are switching elements that are controlled by the safety sensor monitored according to the required safety level (PL, SIL, category) (e.g., contactors through EDM)?			
Are all points of operation near the safety sensor accessible only through the protective field of the safety sensor?			
Are the necessary additional protective devices in the immediate surroundings (e.g., safety guard) properly mounted and secured against tampering?			
If it is possible to be present undetected between the safety sensor and point of operation: is an assigned start/restart interlock functional?			
Is the command device for unlocking the start/restart interlock mounted in such a way that it cannot be reached from within the danger zone and so that the complete danger zone can be seen from the installation location?			
Has the maximum stopping time of the machine been measured and documented?			
Is the required safety distance maintained?			
Does interruption with a test object intended for this purpose cause the dangerous movement(s) to stop?			
Is the safety sensor effective during the entire dangerous movement(s)?			
Is the safety sensor effective in all relevant operating modes of the machine?			
Is start-up of dangerous movements reliably prevented if an active light beam or the protective field is interrupted with a test object intended for this purpose?			
Was the sensor detection capacity successfully tested (see chapter 9.3.1 "Checklist – periodically by the operator")?			
Were distances to reflective surfaces taken into account during configuration and no reflection bypasses subsequently detected?			
Are notices for regular testing of the safety sensor legible to the operator and are they located in a highly visible location?			
Are changes to the safety function (e.g. SPG, blanking, protective field switchover) not easy to achieve through tampering?			
Are settings that could result in an unsafe state possible only by means of key, password or tool?			
Are there incentives that pose stimulus for tampering?			
Were the operators instructed prior to starting work?			

9.2 To be performed periodically by competent persons

The reliable interaction of safety sensor and machine must be regularly tested by qualified persons (see chapter 2.2 "Necessary competencies") in order to detect changes to the machine or impermissible tampering with the safety sensor.

Acc. to IEC 62046 and national regulations (e.g., EU directive 2009/104/EC), tests of elements which are subject to wear must be performed by qualified persons (see chapter 2.2 "Necessary competencies") at regular intervals. Testing intervals may be regulated by nationally applicable regulations (recommendation acc. to IEC 62046: 6 months).




- ↪ Only allow testing to be performed by qualified persons (see chapter 2.2 "Necessary competencies").
- ↪ Observe the nationally applicable regulations and the time periods specified therein.
- ↪ As preparation, observe the checklist (see chapter 9.1 "Before commissioning and following modifications").

9.3 Periodically by the operator


The function of the safety sensor must be checked depending on the given risk according to the following checklist so that damages or prohibited tampering can be detected.

Depending on the risk assessment, the test cycle must be defined by the integrator or operating company (e.g., daily, on shift changes, ...) or is specified by national regulations or regulations of the employer's liability insurance association and may be dependent on the machine type.

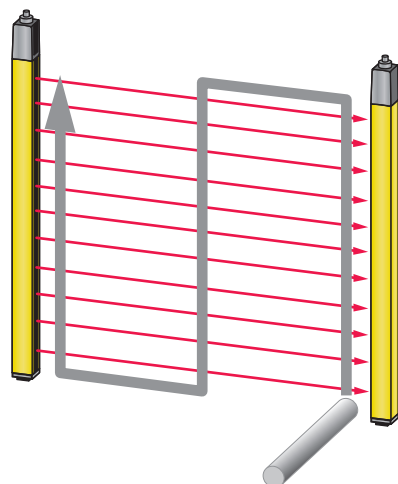
Due to complex machines and processes, it may be necessary under certain circumstances to check some points at longer time intervals. Observe the classification in "Test at least" and "Test when possible".

NOTICE	
	For larger distances between transmitter and receiver and when using deflecting mirrors, a second person may be necessary.
 WARNING	
	<p>Unpredictable machine behavior during the test may result in serious injury!</p> <ul style="list-style-type: none"> ↪ Make certain that there are no people in the danger zone. ↪ Before they begin work, train the operators on their respective tasks and provide suitable test objects and an appropriate test instruction.

9.3.1 Checklist – periodically by the operator

NOTICE	
	<p>↪ If you answer one of the items on the following check list with no, the machine must no longer be operated.</p>

Tab. 9.2: Checklist – regular function test by trained operators/persons

Test at least:	Yes	No
Are safety sensor and connectors securely mounted and free of obvious signs of damage, changes or tampering?		
Were no obvious changes made to access or entry possibilities?		
<p>Test the effectiveness of the safety sensor:</p> <ul style="list-style-type: none"> • The LED 1 on the safety sensor must illuminate green (see chapter 3.3.2 "Operating indicators on the MLC 530 receiver"). • Interrupt an active beam or the protective field (see figure) with a suitable, opaque test object: <div style="text-align: center;">  </div> <p>Checking the protective field function with test rod (only for safety light curtains with a resolution of 14 ... 40 mm). For light curtains with different resolution ranges, this check is to be performed separately for each resolution range.</p> <ul style="list-style-type: none"> • Does the OSSD LED on the receiver illuminate constantly red while the protective field is interrupted? 		
When possible, test during running operation:	Yes	No
Protective device with approach function: during machine operation, the protective field is interrupted with the test object – are the obviously dangerous machine parts stopped without noticeable delay?		
Protective device with presence detection: the protective field is interrupted with the test object – does this prevent operation of the obviously dangerous machine parts?		

10 Maintenance

NOTICE



Faulty operation if transmitter and receiver are soiled!

The surfaces of the front screen of transmitters, receivers and, where applicable, deflecting mirror must not be scratched or roughened at the positions where beams enter and exit.

↳ Do not use chemical cleaners.

Prerequisites for cleaning:

- The system is safely shut down and protected against restart.

↳ Clean the safety sensor periodically depending on the degree of contamination.

NOTICE



Prevent electrostatic charging of the front screens!


↳ To clean the front screens of transmitter and receiver, use only damp cloths.

11 Troubleshooting

11.1 What to do in case of failure?

After switching the safety sensor on, the display elements (see chapter 3.3 "Display elements") assist in checking the correct functionality and in faultfinding.

In case of failure, you can determine the fault from the LED displays or read a message from the 7-segment display. With the error message you can determine the cause of the error and initiate measures to rectify it.

NOTICE	
	<p>If the safety sensor responds with an error display, you will often be able to eliminate the cause yourself!</p> <ul style="list-style-type: none"> ↳ Switch off the machine and leave it switched off. ↳ Analyze and eliminate the cause of the fault using the following table. ↳ If you are unable to rectify the fault, contact the Leuze electronic branch responsible for you or call the Leuze electronic customer service (Service and support).

11.2 Operating indicators of the LEDs

Tab. 11.1: LED indicators at the transmitter - causes and measures

LED	State	Cause	Measure
LED1	OFF	Transmitter without supply voltage	Check the power supply unit and the electrical connection. Exchange the power supply unit, if applicable.
	Red	Device failed	Replace the device.

Tab. 11.2: LED indicators at the receiver - causes and measures

LED	State	Cause	Measure
LED1	OFF	Device failed	Replace the device.
	Red (7-segment display during start-up: "C1" or "C2" according to the number of green LEDs on the transmitter)	Alignment incorrect or protective field interrupted	Remove all objects from the protective field. Align the transmitter and receiver to each other or place blanked objects correctly concerning size and position.
	Red (7-segment display during start-up: "C1". LEDs on transmitter: both green)	Receiver is set on C1, transmitter on C2	Set the transmitter and receiver on the same transmission channel and align both correctly.
	Red (7-segment display during start-up: "C2". LED1 on transmitter: green)	Receiver is set on C2, transmitter on C1	Remove all objects from the protective field. Align the transmitter and receiver to each other or place blanked objects correctly concerning size and position.
	Red, flashing slowly, approx. 1 Hz (7-segment display "E x y")	External error	Check the connection of the cables and the control signals.
	Red, flashing fast, approx. 10 Hz (7-segment display "F x y")	Internal error	If restart fails, exchange the device.
	Green, flashing slowly, approx. 1 Hz	Weak signal due to contamination or poor alignment	Clean the front screens and check the alignment of transmitter and receiver.
LED2	Yellow	Start/restart interlock is locked and protective field is free - ready for unlocking	If there are no people in the danger zone, operate the reset button.
	Yellow flashing	The control circuit is open in operating mode 1, 2 and 3	Close the input circuit with the correct polarity and timing.
LED3	Blue, quickly flashing	Teaching error	Re-teach the blanking areas. Depending on the operating mode, object movements are not permitted during teaching.
	Blue, very quickly flashing	A muting restart is required in operating modes 4 and 6	Press the reset button to override the muting zone.
	Blue, very quickly flashing	Teaching of blankings still active	Press the teach button again.

11.3 Error messages 7-segment display

Tab. 11.3: Messages of the 7-segment display (F: internal device error, E: external error, U: usage info during application errors)

Error	Cause/description	Measures	Sensor behavior
F[No. 0-255]	Internal error	In the event of an unsuccessful restart, contact customer service.	
OFF	Very high overvoltage (± 40 V)	Supply the device with the correct voltage.	

Error	Cause/description	Measures	Sensor behavior
E01	Cross connection between OSSD1 and OSSD2	Check the wiring between OSSD1 and OSSD2.	Automatic reset
E02	Overload on OSSD1	Check the wiring or exchange the connected component (reducing the load).	Automatic reset
E03	Overload on OSSD2	Check the wiring or exchange the connected component (reducing the load).	Automatic reset
E04	High-impedance short circuit to VCC OSSD1	Check the wiring. Exchange the cable, if applicable.	Automatic reset
E05	High-impedance short circuit to VCC OSSD2	Check the wiring. Exchange the cable, if applicable.	Automatic reset
E06	Short circuit against GND at OSSD1	Check the wiring. Exchange the cable, if applicable.	Automatic reset
E07	Short circuit against +24 V at OSSD1	Check the wiring. Exchange the cable, if applicable.	Automatic reset
E08	Short circuit against GND at OSSD2	Check the wiring. Exchange the cable, if applicable.	Automatic reset
E09	Short circuit against +24 V at OSSD2	Check the wiring. Exchange the cable, if applicable.	Automatic reset
E10, E11	OSSD error, source unknown	Check the wiring. Exchange the cable and the receiver if necessary.	Automatic reset
E14	Undervoltage (< +15 V)	Supply the device with the correct voltage.	Automatic reset
E15	Overvoltage (> +32 V)	Supply the device with the correct voltage.	Automatic reset
E16	Overvoltage (> +40 V)	Supply the device with the correct voltage.	Locking
E17	Foreign transmitter detected	Remove foreign transmitters and increase the distance to the reflective surfaces. Actuate the start button if available.	Locking
E18	Ambient temperature too high	Ensure correct environmental conditions	Automatic reset
E19	Ambient temperature too low	Ensure correct environmental conditions	Automatic reset
E22	Interference detected on plug pin 3. Signal output: output signal is not equal to the signal input read-back value: it switches simultaneously with the other signal line.	Check the wiring.	Automatic reset
E23	Interference detected on plug pin 4. Signal output: output signal is not equal to the signal input read-back value: it switches simultaneously with the other signal line.	Check the wiring.	Automatic reset

Error	Cause/description	Measures	Sensor behavior
E24	Interference detected on plug pin 8. Signal output: output signal is not equal to the signal input read-back value: it switches simultaneously with the other signal line.	Check the wiring.	Automatic reset
E36	Simultaneity condition violated during protective field switchover	Check the control of the protective field switchover.	Automatic reset
E39	Actuation duration (2.5 min) exceeded for reset button or cable short circuited	Press the reset button. If the restart is unsuccessful, check the wiring of the reset button.	Automatic reset
E41	Invalid change of operating mode due to reversal of the supply voltage polarity during operation	Check the wiring and programming of the device which controls this signal.	Locking
E60	Fault in the beam configuration	Repeat the teach event.	Automatic reset
E61	Response time exceeded	Reboot. If the problem occurs again, swap out the device.	Automatic reset
E62	Blanking areas overlap (teach error)	Repeat the teach event.	Automatic reset
E80 ... E86	Invalid operating mode due to setting error, general operating mode change	E.g. reset button pressed during start-up, check the circuit diagram and the wiring and restart.	Locking
E87	Operating mode changed	Check the wiring. Restart the sensor.	Locking
E92, E93	Error in the saved transmission channel	Perform channel switching again.	Automatic reset
E97	Linkage of electronic safety-related switching outputs: OSSDs did not switch simultaneously	Check the wiring.	Automatic reset
E98	Linkage of electronic safety-related switching outputs: OSSDs return no test pulses.	Check the wiring.	Automatic reset
U40	Muting signals switch simultaneously	Fix the short circuit between the muting signal lines. Check the arrangement of the muting sensors, if required. If necessary, exchange the muting sensors for one-end high-side switching sensors.	No muting. OSSD remains on until the protective field is violated.
U41	Concurrency expectation of the muting signals not met: second signal outside tolerance of 4 s	Check the arrangement of the muting sensors or the programming of the controlling PLC if required.	No muting. OSSD remains on until the protective field is violated.
U43	No valid muting condition: muting end before protective field release	Select a valid muting condition.	OSSD switches off.
U51	Only one muting signal active in case of protective field violation, the second muting signal is missing	Check the mounting of the muting sensors and the activation of the muting signals.	OSSD switches off.

Error	Cause/description	Measures	Sensor behavior
U52	Oscillating muting sensor detected	Check the wiring or whether the muting sensor is defective. Exchange the muting sensor if necessary.	Muting not possible for approx. 20 s.
U55	Muting restart timing / muting override timeout of 120 s exceeded	Check the further processing of the OSSD signals and the design of the muting system.	OSSD switches off.
U56	Muting restart not possible, no active muting signal	Check the arrangement and connections of the muting sensors and carry out muting restart again if required.	OSSD remains off.
U57	Partial muting: topmost beam interrupted	Check the object size, e.g., pallet height. Change the operating mode (e.g., standard muting) if required and restart the safety sensor. Make sure that both synchronization beams are never simultaneously interrupted by the object and that the protective field is interrupted a maximum of 4 s after activation of the PLC signal.	OSSD switches off.
U58	Muting timeout (> 10 min) expired	Actuate the restart button	OSSD switches off.
U59	Only one muting sensor has switched on and off again, without protective field violation.	Check the arrangement and alignment of the muting sensors.	OSSD remains on.
U61	2.5 min teach timeout exceeded. Teach-in not finished or not finished correctly	Repeat the teach event. Fixed blanking: interrupt beams uniquely or release them. Floating blanking: move teach object slowly.	OSSD remains off.
U62	Simultaneity error of the signals from the teach button (key switch). Time difference > 4 s	Exchange the teach button (key switch).	OSSD remains off.
U63	2.5 min teach timeout exceeded	Maintain the correct time sequence during teaching.	OSSD remains off.
U69	Response time after teach-in of floating blanking too long (> 99 ms)	Teach in smaller protective field areas with floating blanking or use a device with fewer beams.	OSSD remains off.
U71	Teach data not plausible	Repeat the teach event.	OSSD remains off.
U74	The reset input has switched at the same time as a signal line (cross connection).	Eliminate the cross connection between the signal lines and press the reset button again.	OSSD remains off. Restart interlock not reset.
U75	Teach data inconsistent	Repeat the teach event.	OSSD remains off.
U76	Teaching error	Repeat the teach event. Check whether LED 1 on the transmitter illuminates green.	OSSD remains off.

11.4 Muting indicator

Flashing of the external muting indicator and quick flashing of the blue LED signal that no valid muting condition is present when the protective field is interrupted.

- ☞ Check whether the muting timeout has been exceeded or the concurrency condition (both muting signals within 4 s) has not been met.

12 Disposing

↳ For disposal observe the applicable national regulations regarding electronic components.

13 Service and support

Service hotline

You can find the contact information for the hotline in your country on our website www.leuze.com under **Contact & Support**.

Repair service and returns

Defective devices are repaired in our service centers competently and quickly. We offer you an extensive service packet to keep any system downtimes to a minimum. Our service center requires the following information:

- Your customer number
- Product description or part description
- Serial number and batch number
- Reason for requesting support together with a description

Please register the merchandise concerned. Simply register return of the merchandise on our website www.leuze.com under **Contact & Support > Repair Service & Returns**.

To ensure quick and easy processing of your request, we will send you a returns order with the returns address in digital form.

14 Technical data

14.1 General specifications

Tab. 14.1: Protective field data

Physical resolution [mm]	Operating range [m]		Protective field height [mm]	
	min.	max.	min.	max.
14	0	6	150	3000
20	0	15	150	3000
30	0	10	150	3000
40	0	20	150	3000
90	0	20	450	3000

Tab. 14.2: Safety-relevant technical data

Type in accordance with IEC 61496	Type 4
SIL in accordance with IEC 61508	SIL 3
SILCL in accordance with IEC 62061	SILCL 3
Performance Level (PL) in accordance with ISO 13849-1:2015	PL e
Category in accordance with ISO 13849-1:2015	Cat. 4
Average probability of a failure to danger per hour (PFH _d)	9.9x10 ⁻⁹ 1/h
Mission time (T _M)	20 years

Tab. 14.3: General system data

Connection technology	M12, 5-pin (transmitter) M12, 8-pin (receiver)
Supply voltage U _v , transmitter and receiver	+24 V, ± 20 %, compensation necessary at 20 ms voltage dip, min. 250 mA (+ OSSD load)
Residual ripple of the supply voltage	± 5 % within the limits of U _v
Current consumption - transmitter	50 mA
Current consumption receiver	150 mA (without load)
Common value for ext. fuse in the supply line for transmitter and receiver	2 A semi time-lag
CULus range of validity	Connection with cables acc. to the listed R/C (CYJV2/7 or CYJV/7) cables or cables with corresponding data.
Synchronization	Optical between transmitter and receiver
Protection class	III
Degree of protection	IP 65
Ambient temperature, operation	-30 ... +55 °C
Ambient temperature, storage	-30 ... 70 °C
Ambient temperature, MLCxxx/V operation	0 ... 55 °C
Relative humidity (non-condensing)	0 ... 95 %
Vibration resistance	50 m/s ² acceleration, 10 - 55 Hz in acc. with IEC 60068-2-6; 0.35 mm amplitude

MLCxxx/V vibration resistance	55-2000 Hz in acc. with EN 60068-2-6: <ul style="list-style-type: none"> • 55-116 Hz: ± 0.75 mm amplitude • 116-2000 Hz: 200 m/s² acceleration (or vibration response < 400 m/s²) • Excitation axes: all three spatial axes • Frequency change: 1 oct/min • Number of frequency sweeps: 100 sweeps per axis (50 cycles)
Shock resistance	100 m/s ² acceleration, 16 ms acc. to IEC 60068-2-6
MLCxxx/V shock resistance	<ul style="list-style-type: none"> • 400 m/s² acceleration, 1 ms • 50000 impacts per spatial axis Excitation axes: all three spatial axes
Profile cross section	29 mm x 35.4 mm
Dimensions	see chapter 14.3 "Dimensions, weight, response time"
Weight	see chapter 14.3 "Dimensions, weight, response time"

Tab. 14.4: System data - transmitter

Light source	LED; exempt group in acc. with IEC 62471
Wavelength	940 nm
Pulse duration	800 ns
Pulse pause	1.9 μ s (min.)
Mean power	<50 μ W
Input current pin 4 (range)	Against +24 V: 10 mA Against 0 V: 10 mA

NOTICE



The UL testing only includes fire and shock tests.

Tab. 14.5: System data receiver, indication signals and control signals

Pin	Signal	Type	Electrical data
1	RES/STATE	Input: Output:	Against +24 V: 10 mA Against 0 V: 80 mA
3, 4, 8	Depending on the operating mode	Input:	Against 0 V: 4 mA Against +24 V: 4 mA

Tab. 14.6: Technical data of the electronic safety-related switching outputs (OSSDs) on the receiver

Safety-related PNP transistor outputs (short-circuit monitored, cross-circuit monitored)	Minimum	Typical	Maximum
Class (source)	C2		
Switching voltage high active ($U_v - 1.5V$)	18 V	22.5 V	27 V
Switching voltage low		0 V	+2.5 V
Switching current		300 mA	380 mA

Safety-related PNP transistor outputs (short-circuit monitored, cross-circuit monitored)	Minimum	Typical	Maximum
Residual current		<2 µA	200 µA In the event of a failure (if the 0 V cable is interrupted), each of the outputs behaves as a 120 kΩ resistor to U _v . A downstream safety PLC must not detect this as a logical "1".
Load capacity			0.3 µF
Load inductivity			2 H
Permissible wire resistance for load			<200 Ω Note the additional restrictions due to cable length and load current.
Permissible wire cross section		0.25 mm ²	
Permissible cable length between receiver and load			100 m
Test pulse width		60 µs	340 µs
Test pulse distance	(5 ms)	60 ms	
OSSD restart delay time after beam interruption		100 ms	

NOTICE



The safety-related transistor outputs perform the spark extinction. With transistor outputs, it is therefore neither necessary nor permitted to use the spark extinction circuits recommended by contactor or valve manufacturers (RC elements, varistors or recovery diodes), since these considerably extend the decay times of inductive switching elements.

Tab. 14.7: Patents

US patents	US 6,418,546 B
------------	----------------

14.2 Electromagnetic compatibility


The device corresponds to CISPR 11/ EN 55011 Group 1 and Class B.

- Group 1: All devices that do not belong to Group 2 (lab equipment, devices for industrial process measurement and control).
- Group 2: All devices that intentionally generate HF energy for material processing / modification (microwave and induction ovens, electric welding equipment).
- Class A: Industrial systems in which the 230 V supply network is provided by means of a separate transformer (from medium voltage).
- Class B: Commercial, industrial locations and residential areas that are supplied by the public 230 V network (low-voltage network) or are connected to it.

14.3 Dimensions, weight, response time

Dimensions, weight and response time are dependent on

- the resolution
- the length
- of the operating mode selected (SingleScan, DoubleScan, MaxiScan)

NOTICE	
	<p>The response times apply for operating modes 1, 2 and 3 (function group FG2). In operating mode 3 (function group FG1, DoubleScan), the specified value doubles! In operating mode 3 (fixed or floating blanking), the response time is extended accordingly (see chapter 6.1.5 "Resolution and safety distance for fixed and floating blanking as well as reduced resolution"). In operating modes 4 and 6 (MaxiScan), the response time always has a fixed value: 100 ms! The linkage of a contact-based safety circuit or of electronic switching outputs in operating modes 1 or 3 extends the response time by 120 ms, or by 3.5 ms in operating mode 2.</p>

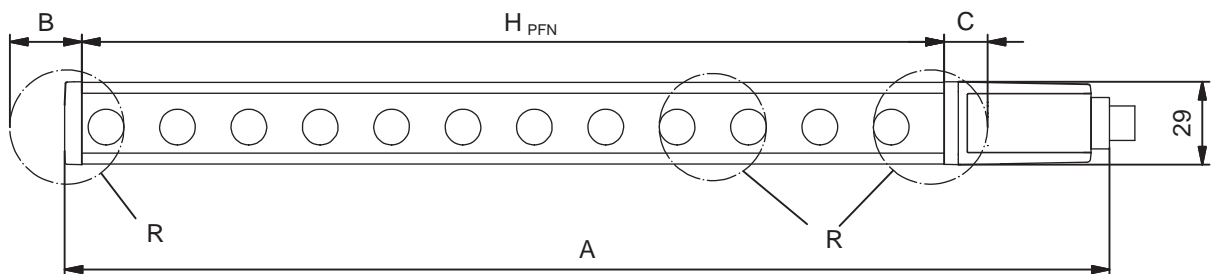


Fig. 14.1: Dimensions of transmitter and receiver

Effective protective field height H_{PFE} goes beyond the dimensions of the optics area to the outer borders of the circles labeled with R.

Calculation of the effective protective field height

$$H_{PFE} = H_{PFN} + B + C$$

H_{PFE}	mm	Effective protective field height
H_{PFN}	mm	Rated protective field height, this corresponds to the length of the yellow housing part (see tables below)
A	mm	Total height
B	mm	Additional dimensions for calculation of the effective protective field height (see table below)
C	mm	Value for calculating the effective protective field height (see tables below)

Tab. 14.8: Additional dimensions for calculating the effective protective field height

R = resolution	B	C
14 mm	6 mm	6 mm
20 mm	7 mm	10 mm
30 mm	19 mm	9 mm
40 mm	25 mm	15 mm
90 mm	50 mm	40 mm

Tab. 14.9: Dimensions (nominal protective field heights), weights and response times for operating modes 1, 2 and 3 (function group FG2)

Device type	Transmitter and receiver			Receiver				
	Dimensions [mm]		Weight [kg]	Response time [ms] acc. to resolution				
Type	H _{PFN}	A			14 mm	20 mm	30 mm	40 mm
MLC...-150	150	216	0.30	5	4	3	3	-
MLC...-225	225	291	0.37	-	5	3	3	-
MLC...-300	300	366	0.45	8	7	4	4	-
MLC...-450	450	516	0.60	11	9	5	5	3
MLC...-600	600	666	0.75	14	12	7	7	3
MLC...-750	750	816	0.90	17	14	8	8	4
MLC...-900	900	966	1.05	20	17	9	9	4
MLC...-1050	1050	1116	1.20	23	19	10	10	4
MLC...-1200	1200	1266	1.35	26	22	12	12	5
MLC...-1350	1350	1416	1.50	30	24	13	13	5
MLC...-1500	1500	1566	1.65	33	26	14	14	6
MLC...-1650	1650	1716	1.80	36	29	15	15	6
MLC...-1800	1800	1866	1.95	39	31	17	17	7
MLC...-1950	1950	2016	2.10	42	34	18	18	7
MLC...-2100	2100	2166	2.25	45	36	19	19	7
MLC...-2250	2250	2316	2.40	48	39	20	20	8
MLC...-2400	2400	2466	2.55	51	41	22	22	8
MLC...-2550	2550	2616	2.70	55	44	23	23	9
MLC...-2700	2700	2766	2.85	58	46	24	24	9
MLC...-2850	2850	2916	3.00	61	49	25	25	9
MLC...-3000	3000	3066	3.15	64	51	26	26	10

NOTICE



The specified response times apply for operating modes 1, 2 and 3 (function group FG2). In operating mode 3 (function group FG1, DoubleScan), the specified value doubles! In operating modes 4 and 6 (MaxiScan), the response time always has a fixed value: 100 ms!

14.4 Dimensioned drawings: Accessories

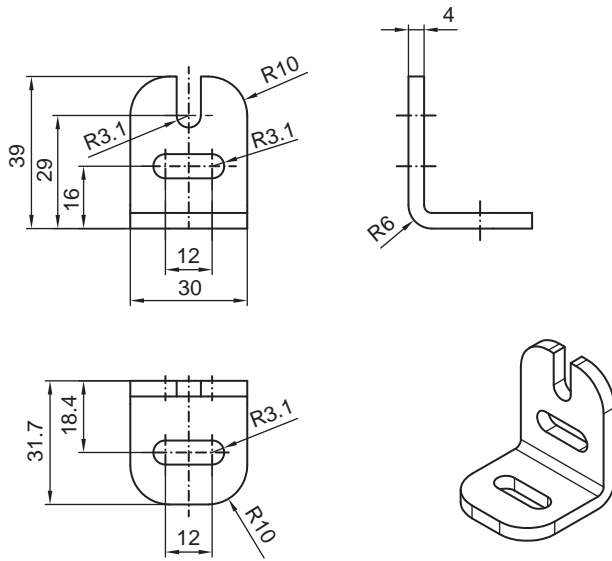


Fig. 14.2: BT-L mounting bracket

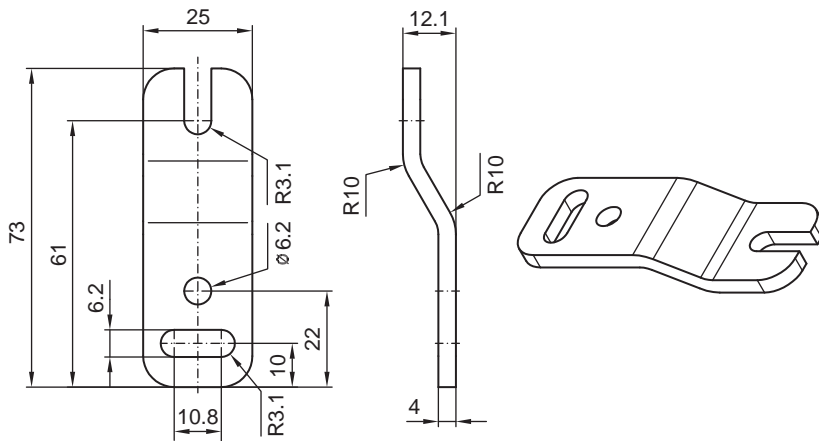


Fig. 14.3: BT-Z parallel bracket

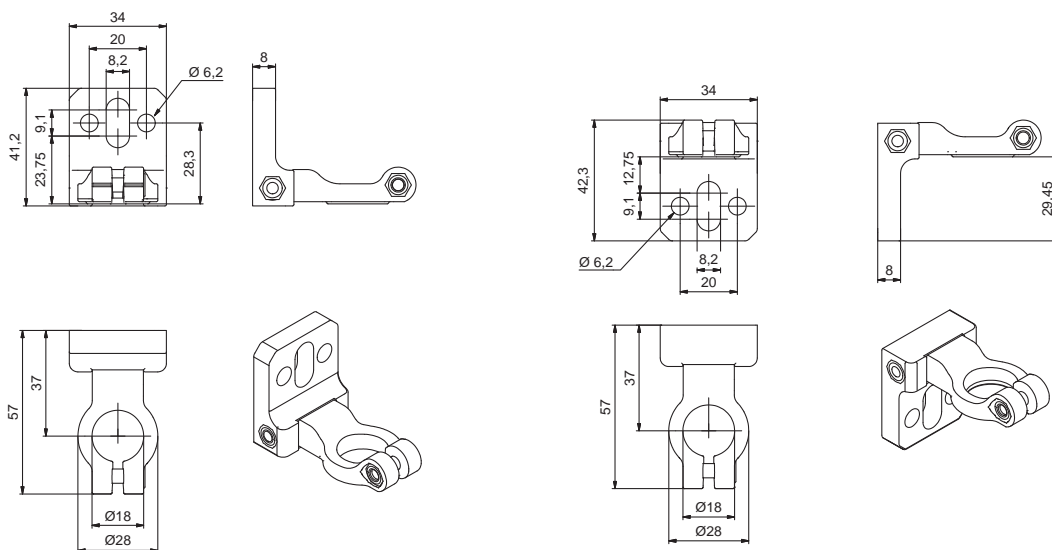


Fig. 14.4: Swivel mount BT-2HF

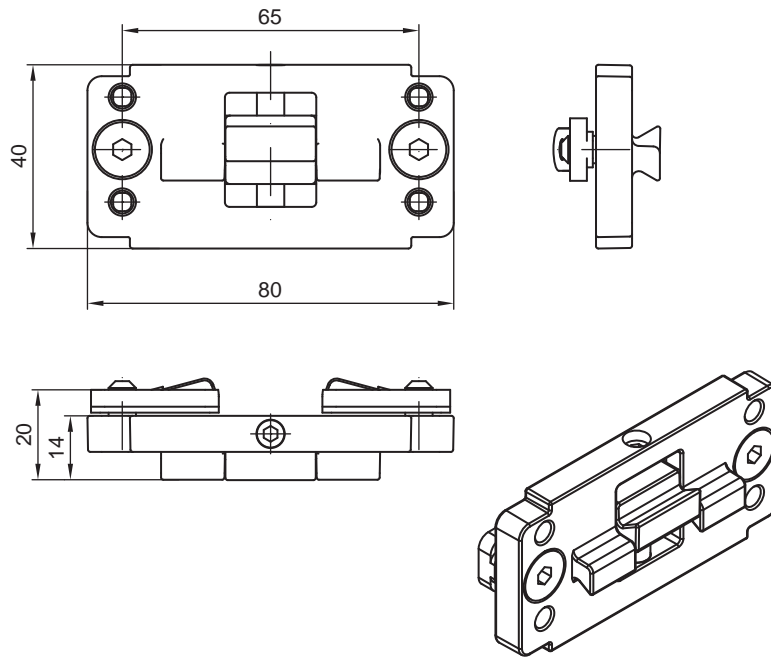


Fig. 14.5: BT-P40 clamp bracket for mounting in UDC device columns

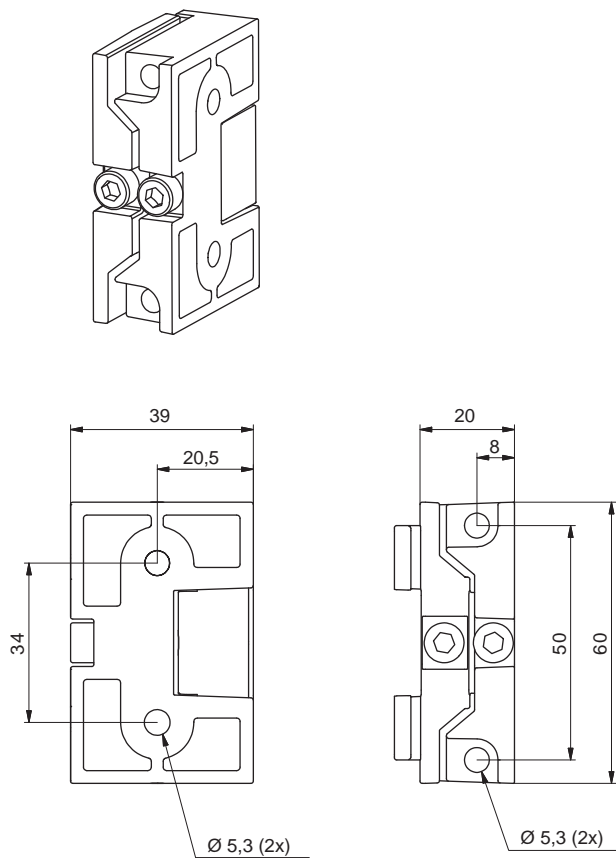


Fig. 14.6: Swiveling mounting bracket BT-2SB10

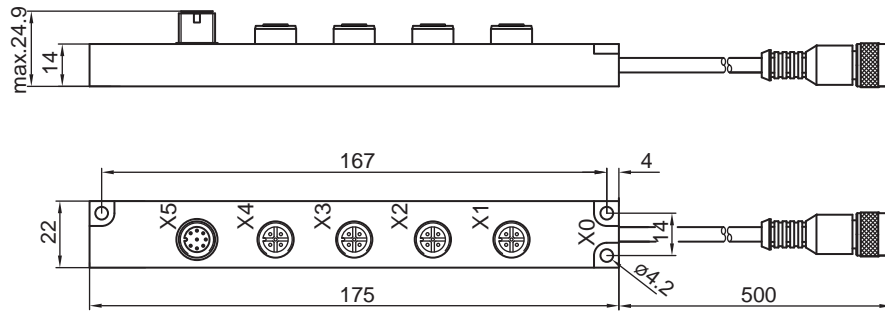


Fig. 14.7: Sensor connection module AC-SCM8

15 Order guide and accessories

Nomenclature

Part designation:

MLCxyy-za-hhhhei-ooo

Tab. 15.1: Part number code

MLC	Safety sensor
x	Series: 3 for MLC 300
x	Series: 5 for MLC 500
yy	Function classes: 00: transmitter 01: transmitter (AIDA) 02: transmitter with test input 10: basic receiver - automatic restart 11: basic receiver - automatic restart (AIDA) 20: standard receiver - EDM/RES selectable 30: extended receiver - blanking/muting
z	Device type: T: transmitter R: receiver
a	Resolution: 14: 14 mm 20: 20 mm 30: 30 mm 40: 40 mm 90: 90 mm
hhh	Protective field height: 150 ... 3000: from 150 mm to 3000 mm
e	Host/Guest (optional): H: Host MG: Middle Guest G: Guest
i	Interface (optional): /A: AS-i
ooo	Option: EX2: explosion protection (zones 2 + 22) /V: high Vibration-proof SPG: Smart Process Gating

Tab. 15.2: Part descriptions, examples

Examples for part designation	Properties
MLC500T14-600	Type 4 transmitter, PL e, SIL 3, resolution 14 mm, protective field height 600 mm
MLC500T30-900	Type 4 transmitter, PL e, SIL 3, resolution 30 mm, protective field height 900 mm
MLC530R90-1500	Type 4 Extended receiver, PL e, SIL 3, resolution 90 mm, protective field height 1500 mm

Scope of delivery

- Transmitter including 2 sliding blocks, 1 instruction sheet
- Receiver including 2 sliding blocks, 1 self-adhesive notice sign "Important notices and notices for the machine operator", 1 set of connecting and operating instructions (PDF file on CD-ROM)

Tab. 15.3: Part numbers of MLC 500 transmitter depending on resolution and protective field height

Protective field height hhhh [mm]	14 mm MLC500T14- hhhh	20 mm MLC500T20- hhhh	30 mm MLC500T30- hhhh	40 mm MLC500T40- hhhh	90 mm MLC500T90- hhhh
150	68000101	68000201	68000301	68000401	-
225	-	68000202	68000302	68000402	-
300	68000103	68000203	68000303	68000403	-
450	68000104	68000204	68000304	68000404	68000904
600	68000106	68000206	68000306	68000406	68000906
750	68000107	68000207	68000307	68000407	68000907
900	68000109	68000209	68000309	68000409	68000909
1050	68000110	68000210	68000310	68000410	68000910
1200	68000112	68000212	68000312	68000412	68000912
1350	68000113	68000213	68000313	68000413	68000913
1500	68000115	68000215	68000315	68000415	68000915
1650	68000116	68000216	68000316	68000416	68000916
1800	68000118	68000218	68000318	68000418	68000918
1950	68000119	68000219	68000319	68000419	68000919
2100	68000121	68000221	68000321	68000421	68000921
2250	68000122	68000222	68000322	68000422	68000922
2400	68000124	68000224	68000324	68000424	68000924
2550	68000125	68000225	68000325	68000425	68000925
2700	68000127	68000227	68000327	68000427	68000927
2850	68000128	68000228	68000328	68000428	68000928
3000	68000130	68000230	68000330	68000430	68000930

Tab. 15.4: Part numbers of MLC 530 receiver depending on resolution and protective field height

Protective field height hhhh [mm]	14 mm MLC530R14- hhhh	20 mm MLC530R20- hhhh	30 mm MLC530R30- hhhh	40 mm MLC530R40- hhhh	90 mm MLC530R90- hhhh
150	68003101	68003201	68003301	68003401	-
225	-	68003202	68003302	68003402	-
300	68003103	68003203	68003303	68003403	-
450	68003104	68003204	68003304	68003404	68003904
600	68003106	68003206	68003306	68003406	68003906
750	68003107	68003207	68003307	68003407	68003907
900	68003109	68003209	68003309	68003409	68003909
1050	68003110	68003210	68003310	68003410	68003910
1200	68003112	68003212	68003312	68003412	68003912
1350	68003113	68003213	68003313	68003413	68003913
1500	68003115	68003215	68003315	68003415	68003915
1650	68003116	68003216	68003316	68003416	68003916
1800	68003118	68003218	68003318	68003418	68003918
1950	68003119	68003219	68003319	68003419	68003919
2100	68003121	68003221	68003321	68003421	68003921
2250	68003122	68003222	68003322	68003422	68003922
2400	68003124	68003224	68003324	68003424	68003924
2550	68003125	68003225	68003325	68003425	68003925
2700	68003127	68003227	68003327	68003427	68003927
2850	68003128	68003228	68003328	68003428	68003928
3000	68003130	68003230	68003330	68003430	68003930

Tab. 15.5: Part numbers of MLC 500/V transmitter depending on resolution and protective field height

Protective field height hhhh [mm]	14 mm MLC500T14-hhhh	30 mm MLC500T30-hhhh
150	68000131	68000331
300	68000133	68000333
450	68000134	68000334
600	68000136	68000336
750	68000137	68000337
900	68000139	68000339

Tab. 15.6: Part numbers of MLC 530/V receiver depending on resolution and protective field height

Protective field height hhhh [mm]	14 mm MLC530R14-hhhh	30 mm MLC530R30-hhhh
300	68003133	68003333
450	68003134	68003334
600	68003136	68003336
750	68003137	68003337
900	68003139	68003339

Tab. 15.7: Accessories

Part no.	Article	Description
Connection cables for MLC 500 transmitter, shielded		
50133860	KD S-M12-5A-P1-050	Connection cable, 5-pin, 5 m long
50133861	KD S-M12-5A-P1-100	Connection cable, 5-pin, 10 m long
678057	CB-M12-15000E-5GF	Connection cable, 5-pin, 15 m long
678058	CB-M12-25000E-5GF	Connection cable, 5-pin, 25 m long
50137013	KD S-M12-5A-P1-500	Connection cable, 5-pin, 50 m long
Connection cables for MLC 530 receiver, shielded		
50135128	KD S-M12-8A-P1-050	Connection cable, 8-pin, 5 m long
50135129	KD S-M12-8A-P1-100	Connection cable, 8-pin, 10 m long
50135130	KD S-M12-8A-P1-150	Connection cable, 8-pin, 15 m long
50135131	KD S-M12-8A-P1-250	Connection cable, 8-pin, 25 m long
50135132	KD S-M12-8A-P1-500	Connection cable, 8-pin, 50 m long
User-configurable connectors for MLC 500 transmitter		
429175	CB-M12-5GF	Cable socket, 5-pin, metal housing, shield on housing
User-configurable connectors for MLC 530 receiver		
429178	CB-M12-8GF	Cable socket, 8-pin, metal housing, shield on housing
Sensor connection modules		
520160	AC-SCM8U	Sensor connection module for control and display units and operational controls with 4 M12x5 sockets and one M12x8 plug
520162	AC-SCM8U-BT-L	Sensor connection module for control and display units and operational controls incl. retaining plate and mounting devices
Interconnection cables, 3-wire, PUR, unshielded, socket and plug		
548050	CB-M12-1500X-3GF/WM	Cable crossed: socket straight pin 2 @ plug angled pin 4, length 1.5 m
548051	CB-M12-1500X-3GF/GM	Cable crossed: socket straight pin 2 @ plug straight pin 4, length 1.5 m
150680	CB-M12-1500-3GF/GM	Socket straight, plug straight, length 1.5 m
150681	CB-M12-1500-3GF/WM	Socket straight, plug angled, length 1.5 m
150682	CB-M12-5000-3GF/GM	Socket straight, plug straight, length 5 m
150683	CB-M12-5000-3GF/WM	Socket straight, plug angled, length 5 m

Part no.	Article	Description
150684	CB-M12-15000-3GF/GM	Socket straight, plug straight, length 15 m
150685	CB-M12-15000-3GF/WM	Socket straight, plug angled, length 15 m
Display and confirmation units		
426363	AC-ABF-SL1	Display and confirmation unit
426290	AC-ABF10	Display and confirmation unit
426296	AC-ABF70	Display and confirmation unit, 2x connection cable M12
Mounting technology		
429056	BT-2L	L mounting bracket, 2x
429057	BT-2Z	Z mounting bracket, 2x
429393	BT-2HF	360° swivel mount, 2x incl. 1 MLC cylinder
429394	BT-2HF-S	360° swivel mount, vibration-damped, 2x incl. 1 MLC cylinder
424422	BT-2SB10	Swiveling mounting bracket for groove mounting, $\pm 8^\circ$, 2x
424423	BT-2SB10-S	Swiveling mounting bracket for groove mounting, $\pm 8^\circ$, vibration damped, 2x
425740	BT-10NC60	Sliding block with M6 thread, 10 x
425741	BT-10NC64	Sliding block with M6 and M4 thread, 10 x
425742	BT-10NC65	Sliding block with M6 and M5 thread, 10 x
Device columns		
549855	UDC-900-S2	Device column, U-shaped, profile height 900 mm
549856	UDC-1000-S2	Device column, U-shaped, profile height 1000 mm
549852	UDC-1300-S2	Device column, U-shaped, profile height 1300 mm
549853	UDC-1600-S2	Device column, U-shaped, profile height 1600 mm
549854	UDC-1900-S2	Device column, U-shaped, profile height 1900 mm
549857	UDC-2500-S2	Device column, U-shaped, profile height 2500 mm
Deflecting mirror columns		
549780	UMC-1000-S2	Continuous deflecting mirror column 1000 mm
549781	UMC-1300-S2	Continuous deflecting mirror column 1300 mm
549782	UMC-1600-S2	Continuous deflecting mirror column 1600 mm
549783	UMC-1900-S2	Continuous deflecting mirror column 1900 mm
Deflecting mirror		
529601	UM60-150	Deflecting mirror, mirror length 210 mm
529603	UM60-300	Deflecting mirror, mirror length 360 mm
529604	UM60-450	Deflecting mirror, mirror length 510 mm
529606	UM60-600	Deflecting mirror, mirror length 660 mm
529607	UM60-750	Deflecting mirror, mirror length 810 mm
529609	UM60-900	Deflecting mirror, mirror length 960 mm
529610	UM60-1050	Deflecting mirror, mirror length 1110 mm
529612	UM60-1200	Deflecting mirror, mirror length 1260 mm
529613	UM60-1350	Deflecting mirror, mirror length 1410 mm


Part no.	Article	Description
529615	UM60-1500	Deflecting mirror, mirror length 1560 mm
529616	UM60-1650	Deflecting mirror, mirror length 1710 mm
529618	UM60-1800	Deflecting mirror, mirror length 1860 mm
430105	BT-2UM60	Mounting bracket for UM60, 2x
Protective screens		
347070	MLC-PS150	Protective screen, length 148 mm
347071	MLC-PS225	Protective screen, length 223 mm
347072	MLC-PS300	Protective screen, length 298 mm
347073	MLC-PS450	Protective screen, length 448 mm
347074	MLC-PS600	Protective screen, length 598 mm
347075	MLC-PS750	Protective screen, length 748 mm
347076	MLC-PS900	Protective screen, length 898 mm
347077	MLC-PS1050	Protective screen, length 1048 mm
347078	MLC-PS1200	Protective screen, length 1198 mm
347079	MLC-PS1350	Protective screen, length 1348 mm
347080	MLC-PS1500	Protective screen, length 1498 mm
347081	MLC-PS1650	Protective screen, length 1648 mm
347082	MLC-PS1800	Protective screen, length 1798 mm
429038	MLC-2PSF	Mounting device for MLC protective screen, 2 x
429039	MLC-3PSF	Mounting device for MLC protective screen, 3 x
Muting indicators		
548000	MS851	Muting indicator with incandescent lamp
660600	MS70/2	Muting double indicator with incandescent lamp
660611	MS70/LED-M12-2000-4GM	LED muting indicator with connection cable 2 m
Optoelectronic muting sensors		
PRK3C series, retro-reflective photoelectric sensors with polarization filter		
50141869	PRK3C/4P	Polarized retro-reflective photoelectric sensor, red light
50140945	PRK3C/PX-M8	Polarized retro-reflective photoelectric sensor, red light, M8 connector, 4-pin
50140946	PRK3C/PX-200-M12	Polarized retro-reflective photoelectric sensor, red light, M12 connector, 4-pin, cable length 200 mm
50140947	PRK3C/PX-200-M8	Polarized retro-reflective photoelectric sensor, red light, M8 connector, 4-pin, cable length 200 mm
50140948	PRK3C/P-M8.3	Polarized retro-reflective photoelectric sensor, red light, M8 connector, 3-pin
PRK25C series, retro-reflective photoelectric sensors with polarization filter		
50134272	PRK25C.A/4P	Polarized retro-reflective photoelectric sensor, red light, autocollimation
50134274	PRK25C.A/4P-200-M12	Polarized retro-reflective photoelectric sensor, red light, autocollimation, M12 connector, 4-pin, cable length 200 mm

Part no.	Article	Description
50134271	PRK25C.A/4P-M12	Polarized retro-reflective photoelectric sensor, red light, autocollimation, M12 connector, 4-pin
50134273	PRK25C.A/4P-M8	Polarized retro-reflective photoelectric sensor, red light, autocollimation, M8 connector, 4-pin
50134256	PRK25C.A2/4P	Polarized retro-reflective photoelectric sensor, red light, autocollimation
50134258	PRK25C.A2/4P-200-M12	Polarized retro-reflective photoelectric sensor, red light, autocollimation, M12 connector, 4-pin, cable length 200 mm
50134255	PRK25C.A2/4P-M12	Polarized retro-reflective photoelectric sensor, red light, autocollimation, M12 connector, 4-pin
50134257	PRK25C.A2/4P-M8	Polarized retro-reflective photoelectric sensor, red light, autocollimation, M8 connector, 4-pin
50134288	PRK25C.D/4P	Polarized retro-reflective photoelectric sensor, red light
50134290	PRK25C.D/4P-200-M12	Polarized retro-reflective photoelectric sensor, red light, M12 connector, 4-pin, cable length 200 mm
50134287	PRK25C.D/4P-M12	Polarized retro-reflective photoelectric sensor, red light, M12 connector, 4-pin
50134289	PRK25C.D/4P-M8	Polarized retro-reflective photoelectric sensor, red light, M8 connector, 4-pin
50139557	PRK25C.D/PX-2000-M12	Polarized retro-reflective photoelectric sensor, red light, M12 connector, 4-pin, cable length 2000 mm
50139556	PRK25C.D/PX-200-M12	Polarized retro-reflective photoelectric sensor, red light, M12 connector, 4-pin, cable length 200 mm
50139555	PRK25C.D/PX-M8	Polarized retro-reflective photoelectric sensor, red light, M8 connector, 4-pin
50134296	PRK25C.D1/4P	Polarized retro-reflective photoelectric sensor, red light
50134298	PRK25C.D1/4P-200-M12	Polarized retro-reflective photoelectric sensor, red light, M12 connector, 4-pin, cable length 200 mm
50134295	PRK25C.D1/4P-M12	Polarized retro-reflective photoelectric sensor, red light, M12 connector, 4-pin
50134297	PRK25C.D1/4P-M8	Polarized retro-reflective photoelectric sensor, red light, M8 connector, 4-pin
50137345	PRK25C.XA2/4P	Polarized retro-reflective photoelectric sensor, red light, autocollimation
50137343	PRK25C.XA2/4P-M12	Polarized retro-reflective photoelectric sensor, red light, autocollimation, M12 connector, 4-pin
50134280	PRK25C/4P	Polarized retro-reflective photoelectric sensor, red light
50134282	PRK25C/4P-200-M12	Polarized retro-reflective photoelectric sensor, red light, M12 connector, 4-pin, cable length 200 mm
50134279	PRK25C/4P-M12	Polarized retro-reflective photoelectric sensor, red light, M12 connector, 4-pin
50134281	PRK25C/4P-M8	Polarized retro-reflective photoelectric sensor, red light, M8 connector, 4-pin
50139663	PRK25CL1.1/4P	Polarized retro-reflective photoelectric sensor, red light, laser class 1

Part no.	Article	Description
50139656	PRK25CL1.1/4P-M12	Polarized retro-reflective photoelectric sensor, red light, laser class 1, M12 connector, 4-pin
50139661	PRK25CL1.1/4P-M8	Polarized retro-reflective photoelectric sensor, red light, laser class 1, M8 connector, 4-pin
50139658	PRK25CL1.1/PX-M12	Polarized retro-reflective photoelectric sensor, red light, laser class 1, M12 connector, 4-pin
PRK46C series, retro-reflective photoelectric sensors with polarization filter		
50127015	PRK46C.1/4P-M12	Polarized retro-reflective photoelectric sensor, red light, M12 connector, 4-pin
50127025	PRK46C.D/4P	Polarized retro-reflective photoelectric sensor, red light
50127026	PRK46C.D/4P-200-M12	Polarized retro-reflective photoelectric sensor, red light, M12 connector, 4-pin, cable length 200 mm
50127024	PRK46C.D/4P-M12	Polarized retro-reflective photoelectric sensor, red light, M12 connector, 4-pin
50127031	PRK46C.D/PX-200-M12	Polarized retro-reflective photoelectric sensor, red light, M12 connector, 4-pin, cable length 200 mm
50127027	PRK46C.D/PX-M12	Polarized retro-reflective photoelectric sensor, red light, M12 connector, 4-pin
50129753	PRK46C.D1/4P-M12	Polarized retro-reflective photoelectric sensor, red light, M12 connector, 4-pin
50127028	PRK46C.D1/PX-M12	Polarized retro-reflective photoelectric sensor, red light, M12 connector, 4-pin
50127013	PRK46C/4P	Polarized retro-reflective photoelectric sensor, red light
50127014	PRK46C/4P-200-M12	Polarized retro-reflective photoelectric sensor, red light, M12 connector, 4-pin, cable length 200 mm
50127012	PRK46C/4P-M12	Polarized retro-reflective photoelectric sensor, red light, M12 connector, 4-pin
50127017	PRK46C/PX-200-M12	Polarized retro-reflective photoelectric sensor, red light, M12 connector, 4-pin, cable length 200 mm
Laser alignment aids		
560020	LA-78U	External laser alignment aid
520004	LA-78UDC	External laser alignment aid for fastening in Device Column
520101	AC-ALM-M	Alignment aid
Test rods		
349945	AC-TR14/30	Test rod 14/30 mm
349939	AC-TR20/40	Test rod 20/40 mm

16 EC Declaration of Conformity

The safety light curtains of the MLC series have been developed and manufactured in accordance with the applicable European standards and directives.

NOTICE	
	<p>You can download the EC Declaration of Conformity from the Leuze website.</p> <ul style="list-style-type: none">↳ Call up the Leuze website: www.leuze.com.↳ Enter the type designation or part number of the device as the search term. The part number can be found on the name plate of the device under the "Part No." entry.↳ The documents can be found on the product page for the device under the <i>Downloads</i> tab.