

Technical data sheet

Safety relay

Part no.: 50133015

MSI-SR-CM42R-03

Contents

- Technical data
- Dimensioned drawings
- Electrical connection
- Circuit diagrams
- Notes



For illustration purposes only



Technical data

Basic data

Series	MSI-SR-CM42
Application	Extension unit for base devices in safety applications

Functions

Restart	Automatic
---------	-----------

Characteristic parameters

SIL	3, IEC 61508
SILCL	3, IEC/EN 62061
Performance Level (PL)	e, EN ISO 13849-1
PFH _D	1,5E-09 per hour
Mission time T _M	20 years, EN ISO 13849-1
Category	4, EN ISO 13849-1

Electrical data

Performance data	
Supply voltage U _B	24 V, DC, -20 ... 20 %
Supply circuit	
Rated power DC	1.4 W
Output circuit	
Release current paths	4
Signaling current paths	2
Contact material	Ag alloy, gold-plated
Usage category AC-15 (NO contact)	Ue 230V, Ie 3A
Usage category DC-13 (NO contact)	Ue 24V, Ie 1A
Short circuit protection (NO contact)	gG class safety fuse 6A, melting integral
Max. thermal continuous current I _{th} , release current paths	6 A
Max. thermal continuous current I _{th} , signaling current paths	1 A
Max. total current I ² of all current paths	144 A ²
Mechanical life time	100,000,000 switching cycles
Control circuit	
Max. peak current at the control inputs (safety circuit/reset circuit)	110 mA
Max. cable resistance, per channel	≤ (5 + (1.333 × U _B / U _N - 1) × 200) Ω
Release time t _R	15 ms
Recovery time t _W	30 ms

Connection

Number of connections	1 Piece(s)
-----------------------	------------

Connection 1

Function	Signal IN
	Signal OUT
	Voltage supply
Type of connection	Terminal
Type of terminal	Spring-cage terminal
No. of pins	16 -pin

Cable properties

Connection cross sections	2 x 0.2 to 1.5 mm ² , wire
	2 x 0.2 to 1.5 mm ² , wire
	2 x 0.25 to 1.5 mm ² , wire with wire-end sleeve

Mechanical data

Dimension (W x H x L)	22.5 mm x 106.5 mm x 114 mm
Net weight	180 g
Housing color	Gray
Type of fastening	Snap-on mounting

Environmental data

Ambient temperature, operation	-25 ... 65 °C
--------------------------------	---------------

Certifications

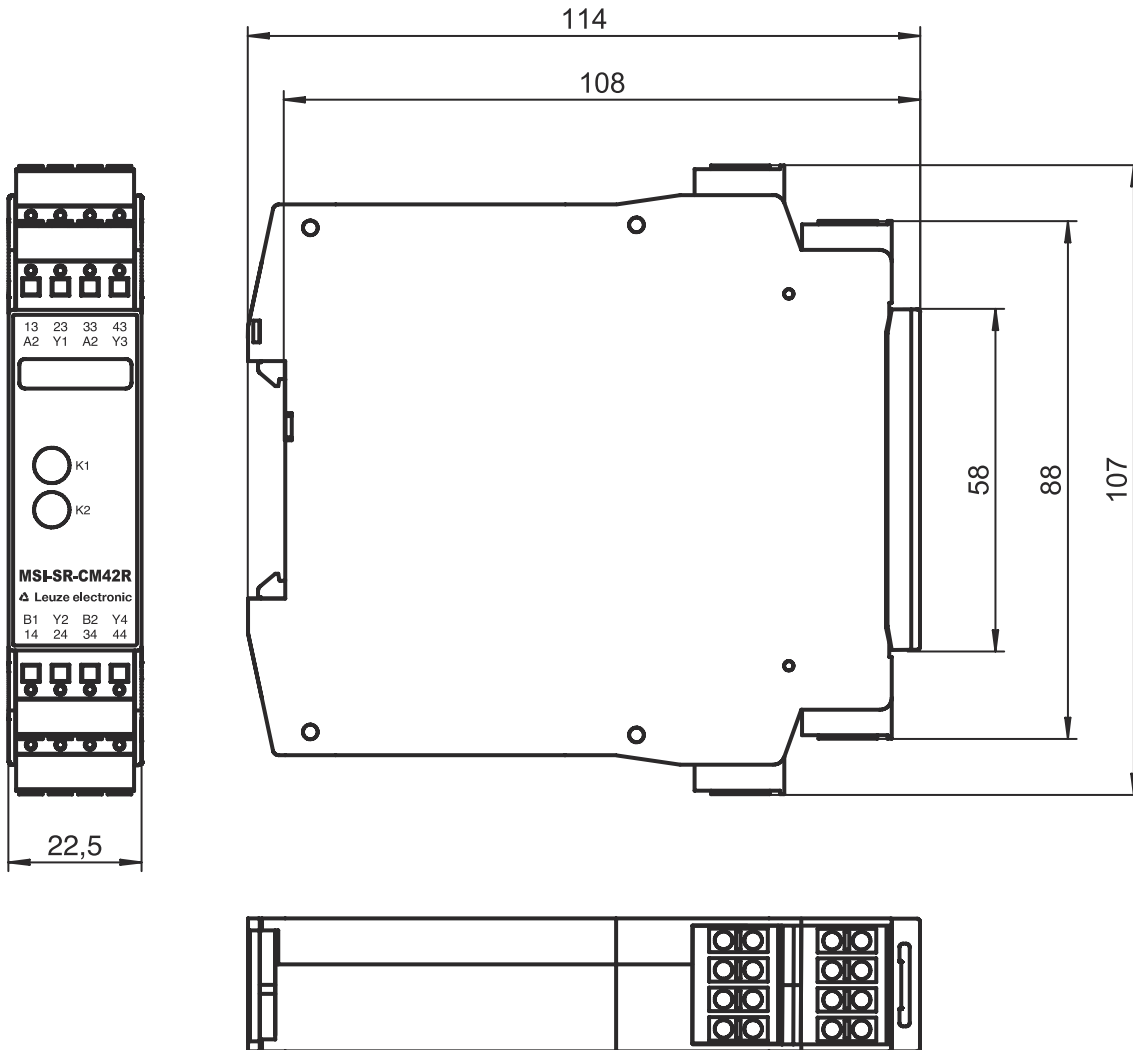
Approvals	c UL US
-----------	---------

Classification

Customs tariff number	85364190
ECLASS 5.1.4	27371800
ECLASS 8.0	27371819
ECLASS 9.0	27371819
ECLASS 10.0	27371819
ECLASS 11.0	27371819
ECLASS 12.0	27371819
ECLASS 13.0	27371819
ECLASS 14.0	27371819
ECLASS 15.0	27371819
ECLASS 16.0	27371819
ETIM 5.0	EC001449
ETIM 6.0	EC001449
ETIM 7.0	EC001449
ETIM 8.0	EC001449
ETIM 9.0	EC001449
ETIM 10.0	EC001449
UNSPSC 26.08	32151800

Dimensioned drawings

All dimensions in millimeters



Electrical connection

Connection 1

Function	Signal IN
	Signal OUT
	Voltage supply
Type of connection	Terminal
Type of terminal	Spring-cage terminal
No. of pins	16 -pin

Terminal

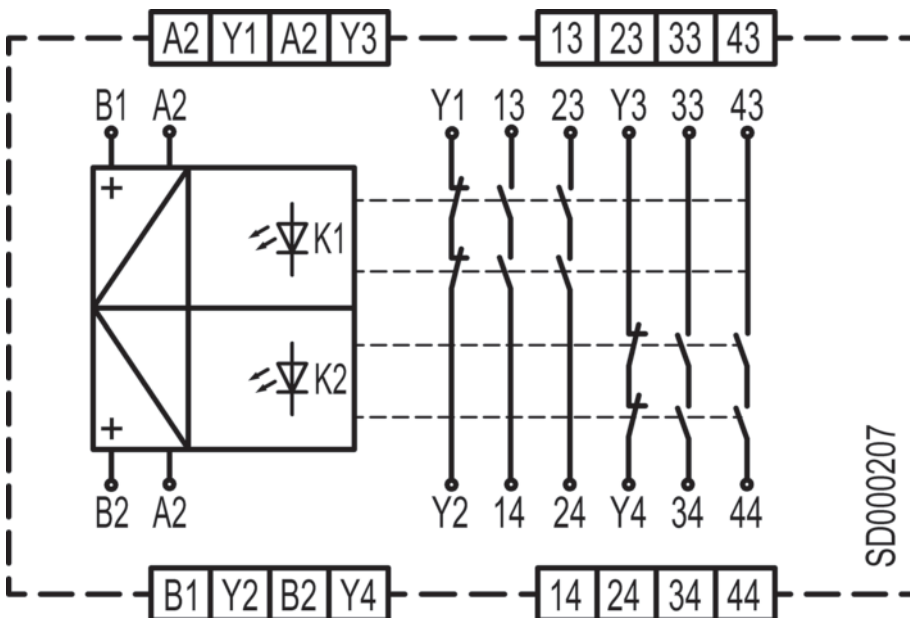
Assignment

13	Release current path 1 (NO contact)
14	Release current path 1 (NO contact)
23	Release current path 2 (NO contact)
24	Release current path 2 (NO contact)
33	Release current path 3 (NO contact)

Electrical connection

Terminal	Assignment
34	Release current path 3 (NO contact)
43	Release current path 4 (NO contact)
44	Release current path 4 (NO contact)
A1	Control circuit 1
A2	Control circuit 2
B1	Control circuit 1
B2	Control circuit 2
Y1	Signaling current path 1 (NC contact)
Y2	Signaling current path 1 (NC contact)
Y3	Signaling current path 2 (NC contact)
Y4	Signaling current path 2 (NC contact)

Circuit diagrams



Notes



Observe intended use!



- ↪ The product may only be put into operation by competent persons.
- ↪ Only use the product in accordance with its intended use.