

Technical data sheet

Fieldbus gateway

Part no.: 50132995

MSI-FB-PROFIBUS

Contents

- Technical data
- Dimensioned drawings
- Electrical connection
- Circuit diagrams
- Notes



For illustration purposes only



Technical data

Basic data

Series	MSI-FB
Type	Fieldbus gateway
Application	Transfer of MSI 400 diagnostic data via PROFIBUS

Functions

Functions	Fieldbus module for the MSI 400 for connecting to PROFIBUS
-----------	--

Electrical data

Performance data

Supply voltage U_B	24 V, DC, -20 ... 25 %
----------------------	------------------------

Output circuit

Interface

Type	Internal bus (SBUS+), PROFIBUS DP
PROFIBUS DP	
Function	Process
Classification	V0

Connection

Number of connections	1 Piece(s)
Connection 1	
Function	BUS IN BUS OUT
Type of connection	Sub-D
Type	Female
No. of pins	9 -pin

Mechanical data

Dimension (W x H x L)	22.5 mm x 96.5 mm x 126.5 mm
Net weight	160 g
Housing color	Gray
Type of fastening	Snap-on mounting

Environmental data

Ambient temperature, operation	-25 ... 55 °C
Ambient temperature, storage	-25 ... 70 °C
Relative humidity (non-condensing)	10 ... 95 %

Certifications

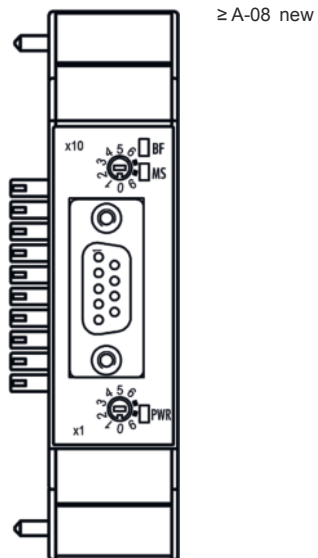
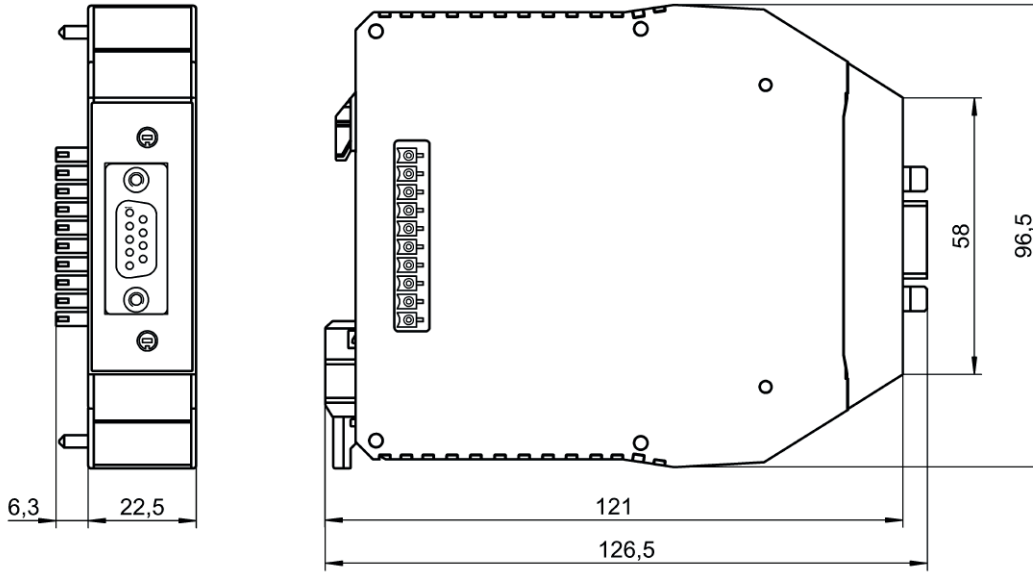
Degree of protection	IP 20
Approvals	c UL US
Vibration resistance	5 ... 150 Hz
Test procedure for oscillation in accordance with standard	EN 60068-2-6
Shock resistance, single shock	30 g, 11 ms, EN 60068-2-27
Shock resistance, continuous shock	10 g, 16 ms, EN 60068-2-29

Classification

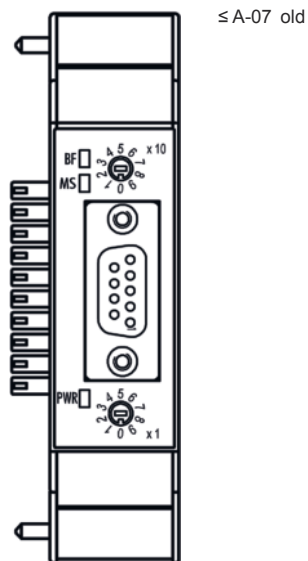
Customs tariff number	85364900
ECLASS 5.1.4	27242208
ECLASS 8.0	27242208
ECLASS 9.0	27242208
ECLASS 10.0	27242208
ECLASS 11.0	27242208
ECLASS 12.0	27242208
ECLASS 13.0	27242208
ECLASS 14.0	27242208
ECLASS 15.0	27242208
ECLASS 16.0	27242208
ETIM 5.0	EC001423
ETIM 6.0	EC001423
ETIM 7.0	EC001423
ETIM 8.0	EC001423
ETIM 9.0	EC001423
ETIM 10.0	EC001423
UNSPSC 26.08	32151705

Dimensioned drawings

All dimensions in millimeters



Dimensioned drawings



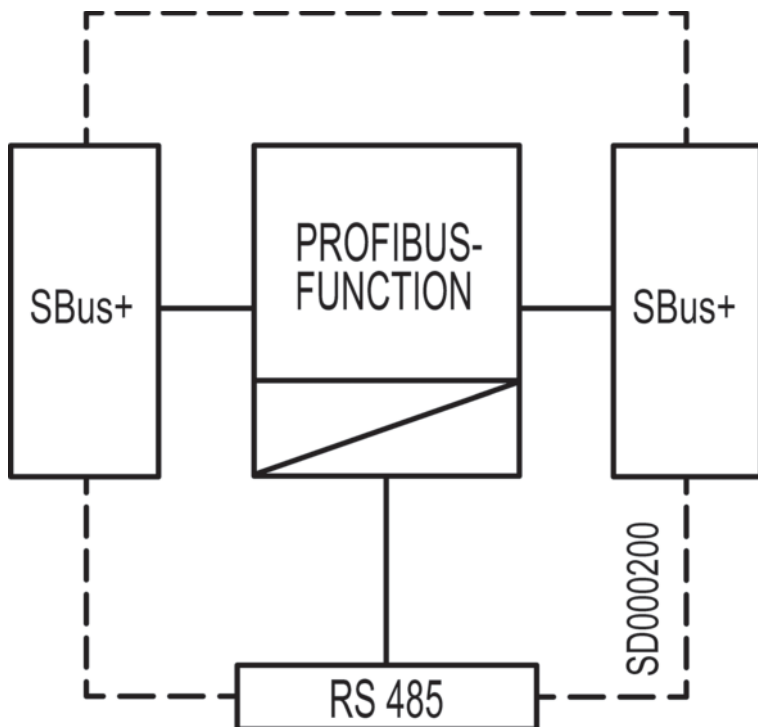
Electrical connection

Connection 1

Function	BUS IN
	BUS OUT
Type of connection	Sub-D
Type	Female
No. of pins	9 -pin

Pin	Pin assignment
1	n.c.
2	n.c.
3	RxD/TxD-P
4	CNTR-P
5	GND-EXT
6	5 V-EXT
7	n.c.
8	RxD/TxD-N
9	CNTR-N (GND-EXT)

Circuit diagrams



Notes



Observe intended use!



- ↪ The product may only be put into operation by competent persons.
- ↪ Only use the product in accordance with its intended use.