

## Technical data sheet

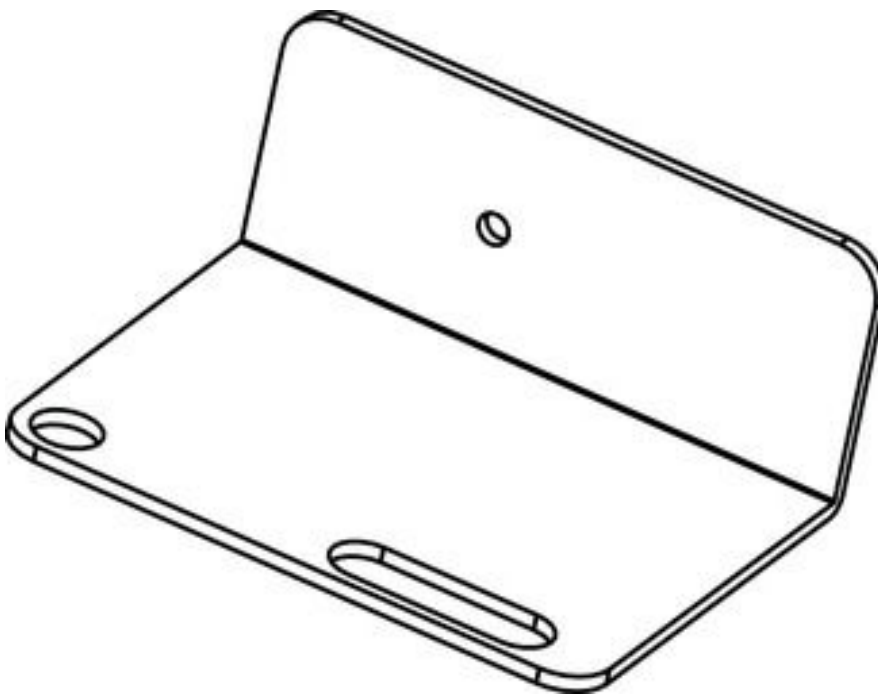
### Diaphragm

Part no.: 50148992

BL LSE 25CI 2mm

#### Contents

- Technical data
- Dimensioned drawings



For illustration purposes only

## Technical data

### Basic data

Suitable for	LS25CI.XR1 / LS25CI.XXR / LE25CI.XR1 throughbeam photoelectric sensors
--------------	------------------------------------------------------------------------

### Mechanical data

Dimension (W x H x L)	17 mm x 39.5 mm
Net weight	43 g
Type of fastening	Screw type
Hole diameter	2 mm

### Classification

Customs tariff number	83024900
ECLASS 5.1.4	27279204
ECLASS 8.0	27279204
ECLASS 9.0	27273602
ECLASS 10.0	27273602
ECLASS 11.0	27273602
ECLASS 12.0	27273602
ECLASS 13.0	27273602
ECLASS 14.0	27273602
ECLASS 15.0	27273602
ECLASS 16.0	27273602
ETIM 5.0	EC002498
ETIM 6.0	EC003015
ETIM 7.0	EC003015
ETIM 8.0	EC003015
ETIM 9.0	EC003015
ETIM 10.0	EC003015
UNSPSC 26.08	31242103

## Dimensioned drawings

All dimensions in millimeters

