

Technical data sheet

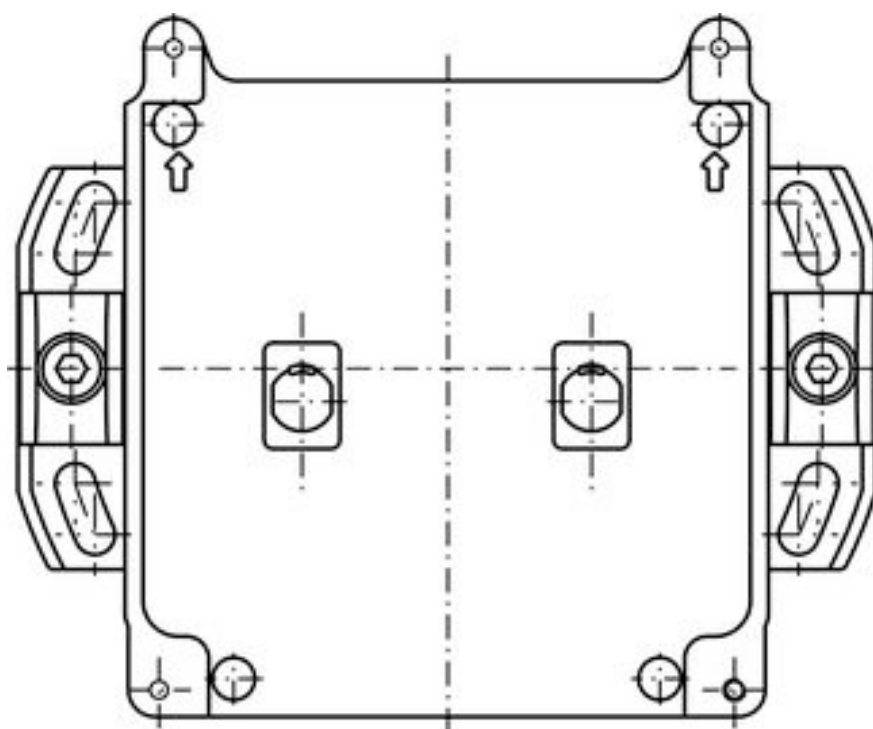
Mounting system

Part no.: 50033346

RS4-MS

Contents

- Technical data
- Dimensioned drawings



For illustration purposes only

Technical data

Basic data

Suitable for	RS4 safety laser scanners
--------------	---------------------------

Mechanical data

Dimension (W x H x L)	192 mm x 57 mm x 156 mm
-----------------------	-------------------------

Net weight	700 g
------------	-------

Housing color	Black
---------------	-------

Design of mounting device	Mounting system
---------------------------	-----------------

Type of fastening, at system	Through-hole mounting
------------------------------	-----------------------

Type of fastening, at device	Screw type
------------------------------	------------

Type of mounting device	Adjustable
-------------------------	------------

	Swiveling
--	-----------

Mounting device material	Metal
--------------------------	-------

Classification

Customs tariff number	83024900
-----------------------	----------

ECLASS 5.1.4	27279290
--------------	----------

ECLASS 8.0	27279290
------------	----------

ECLASS 9.0	27279090
------------	----------

ECLASS 10.0	27273701
-------------	----------

ECLASS 11.0	27273701
-------------	----------

ECLASS 12.0	27273701
-------------	----------

ECLASS 13.0	27273701
-------------	----------

ECLASS 14.0	27273701
-------------	----------

ECLASS 15.0	27273701
-------------	----------

ECLASS 16.0	27273701
-------------	----------

ETIM 5.0	EC002498
----------	----------

ETIM 6.0	EC003015
----------	----------

ETIM 7.0	EC003015
----------	----------

ETIM 8.0	EC003015
----------	----------

ETIM 9.0	EC003015
----------	----------

ETIM 10.0	EC003015
-----------	----------

UNSPSC 26.08	31242100
--------------	----------

Dimensioned drawings

All dimensions in millimeters

