

Technical data sheet

Fieldbus gateway

Part no.: 50132994

MSI-FB-CANOPEN

Contents

- Technical data
- Dimensioned drawings
- Electrical connection
- Circuit diagrams
- Notes



For illustration purposes only



Technical data

Basic data

Series	MSI-FB
Type	Fieldbus gateway
Application	Transfer of MSI 400 diagnostic data via CANOPEN

Functions

Functions	Fieldbus module for the MSI 400 for connecting to CANOPEN
-----------	---

Electrical data

Performance data

Supply voltage U_B	24 V, DC, -20 ... 25 %
----------------------	------------------------

Output circuit

Interface

Type	CANopen
CANopen	
Function	Process

Connection

Number of connections	1 Piece(s)
Connection 1	
Function	Data interface
Type of connection	Terminal
Type of terminal	Screw terminal
No. of pins	5 -pin

Mechanical data

Dimension (W x H x L)	22.5 mm x 96.5 mm x 121 mm
Net weight	150 g
Housing color	Gray
Type of fastening	Snap-on mounting

Environmental data

Ambient temperature, operation	-25 ... 55 °C
Ambient temperature, storage	-25 ... 70 °C
Relative humidity (non-condensing)	10 ... 95 %

Certifications

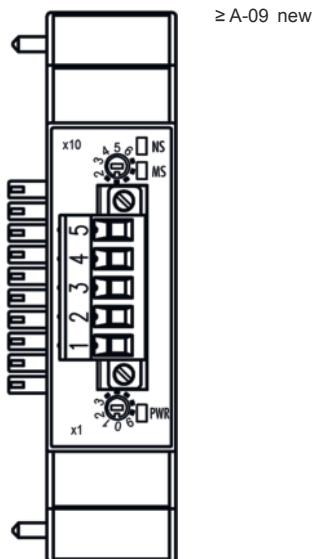
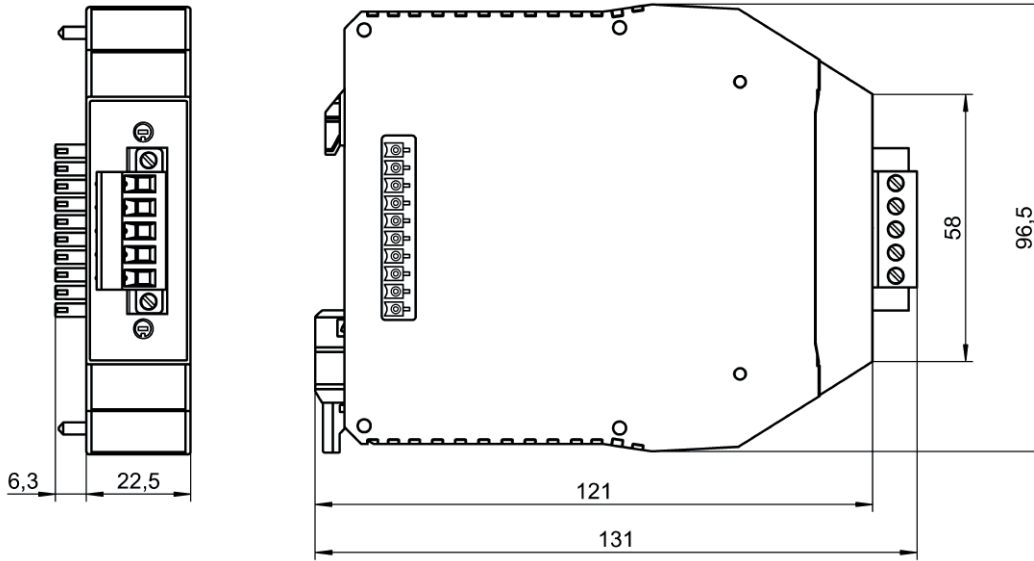
Degree of protection	IP 20
Certifications	c UL US
Vibration resistance	5 ... 150 Hz
Test procedure for oscillation in accordance with standard	EN 60068-2-6
Shock resistance, single shock	30 g, 11 ms, EN 60068-2-27
Shock resistance, continuous shock	10 g, 16 ms, EN 60068-2-29

Classification

Customs tariff number	85364900
ECLASS 5.1.4	27242208
ECLASS 8.0	27242208
ECLASS 9.0	27242208
ECLASS 10.0	27242208
ECLASS 11.0	27242208
ECLASS 12.0	27242208
ECLASS 13.0	27242208
ECLASS 14.0	27242208
ETIM 5.0	EC001423
ETIM 6.0	EC001423
ETIM 7.0	EC001423
ETIM 8.0	EC001423
ETIM 9.0	EC001423

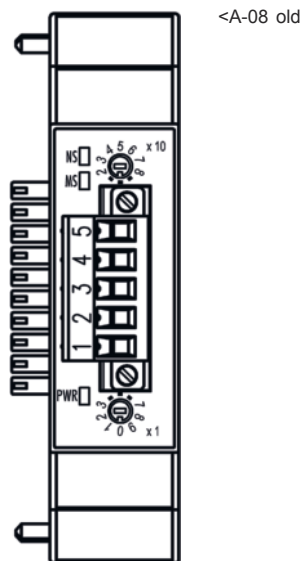
Dimensioned drawings

All dimensions in millimeters



≥ A-09 new

Dimensioned drawings



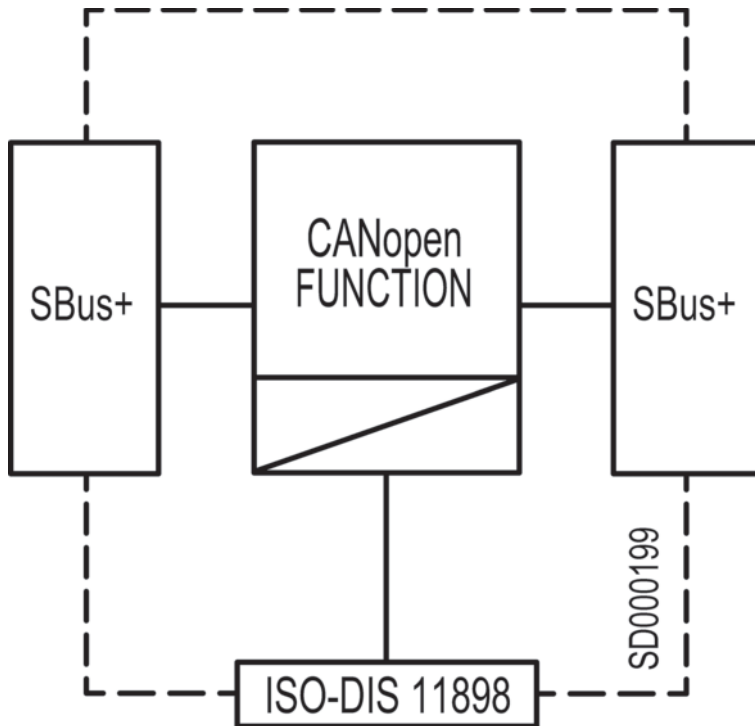
Electrical connection

Connection 1

Function	Data interface
Type of connection	Terminal
Type of terminal	Screw terminal
No. of pins	5 -pin

Terminal	Assignment
1	n.c.
2	CAN low
3	Shield
4	CAN high
5	n.c.

Circuit diagrams



Notes



Observe intended use!



- ↪ The product may only be put into operation by competent persons.
- ↪ Only use the product in accordance with its intended use.