

Technical data sheet

Connection unit

Part no.: 53800182

CU416-50000

Contents

- Technical data
- Dimensioned drawings
- Electrical connection



For illustration purposes only



Technical data

Basic data

Suitable for	RSL 420 safety laser scanner
--------------	------------------------------

Connection

Number of connections	2 Piece(s)
-----------------------	------------

Connection 1

Function	Machine interface
----------	-------------------

Type of connection	Cable
--------------------	-------

Cable length	50,000 mm
--------------	-----------

Sheathing material	PUR
--------------------	-----

Cable color	Black
-------------	-------

Number of conductors	16 -wire
----------------------	----------

Connection 2

Function	Data interface
----------	----------------

Type of connection	Connector
--------------------	-----------

Thread size	M12
-------------	-----

Type	Female
------	--------

Material	Metal
----------	-------

No. of pins	5 -pin
-------------	--------

Encoding	D-coded
----------	---------

Mechanical data

Dimension (W x H x L)	140.2 mm x 72.8 mm x 140.3 mm
-----------------------	-------------------------------

Housing material	Metal
------------------	-------

Metal housing	Diecast zinc
---------------	--------------

Net weight	3,770 g
------------	---------

Housing color	Black
---------------	-------

Type of fastening	Bayonet system
-------------------	----------------

Certifications

Certifications	c TÜV Süd US TÜV Süd
----------------	-------------------------

Classification

Customs tariff number	85444290
-----------------------	----------

ECLASS 5.1.4	27279290
--------------	----------

ECLASS 8.0	27279290
------------	----------

ECLASS 9.0	27279090
------------	----------

ECLASS 10.0	27272791
-------------	----------

ECLASS 11.0	27272791
-------------	----------

ECLASS 12.0	27272791
-------------	----------

ECLASS 13.0	27272791
-------------	----------

ECLASS 14.0	27272791
-------------	----------

ETIM 5.0	EC002498
----------	----------

ETIM 6.0	EC003015
----------	----------

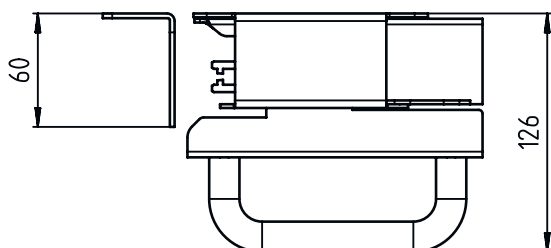
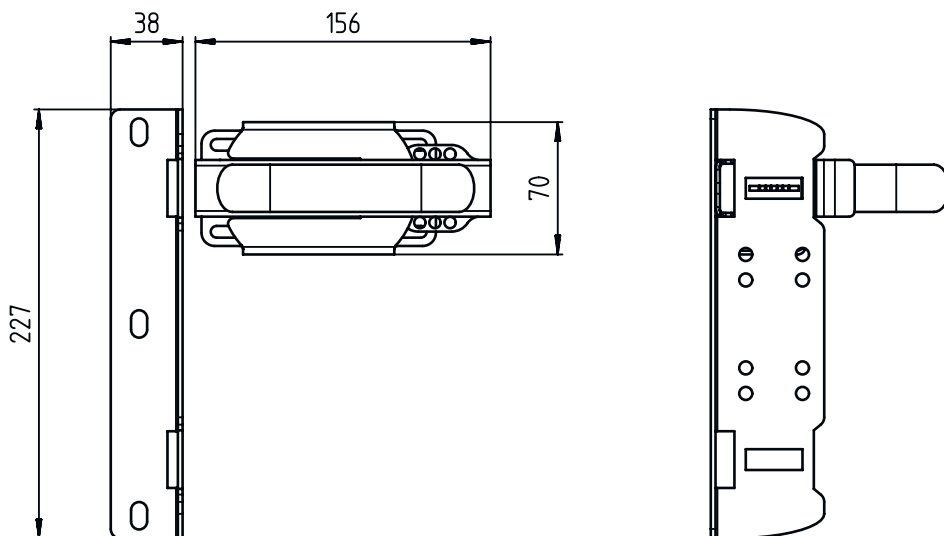
ETIM 7.0	EC003015
----------	----------

ETIM 8.0	EC003015
----------	----------

ETIM 9.0	EC003015
----------	----------

Dimensioned drawings

All dimensions in millimeters



Electrical connection

Connection 1

Function	Machine interface
Type of connection	Cable
Cable length	50,000 mm
Sheathing material	PUR
Cable color	Black
Number of conductors	16 -wire

Conductor color

Conductor assignment

White	RES1
Brown	+24 V
Green	EA1
Yellow	A1
Gray	OSSDA1

Electrical connection

Conductor color	Conductor assignment
Pink	OSSDA2
Blue	GND / Ground
Red	MELD
Black	F1
Violet	F2
Gray / Pink	F3
Blue / Red	F4
Green / White	F5
Brown / Green	SE1
White / Yellow	SE2
Brown / Yellow	A2

Connection 2

Function	Data interface
Type of connection	Connector
Thread size	M12
Type	Female
Material	Metal
No. of pins	5 -pin
Encoding	D-coded
Connector housing	FE/SHIELD

Pin	Pin assignment
1	TD+
2	RD+
3	TD-
4	RD-

