

Technical data sheet

Device column

Part no.: 549620

DC-900-S2

Contents

- Technical data
- Dimensioned drawings
- Accessories



For illustration purposes only

Technical data

Basic data

| | |
|---------------------------|-----------------------------------------------------------------------------------------------|
| Series | DC |
| Contains | BT-P40 clamp bracket, 2x |
| Suitable for | MLC 500, MLC 300 safety light curtains MLD 500, MLD 300 multiple light beam safety devices |
| Type, columns and mirrors | Device column |

Functions

| | |
|-----------|-------------------------------------------------------------------------------------------------------|
| Functions | Adjustable, 2 directions Mounting and protection of light curtains and multiple light beam devices |
|-----------|-------------------------------------------------------------------------------------------------------|

Mechanical data

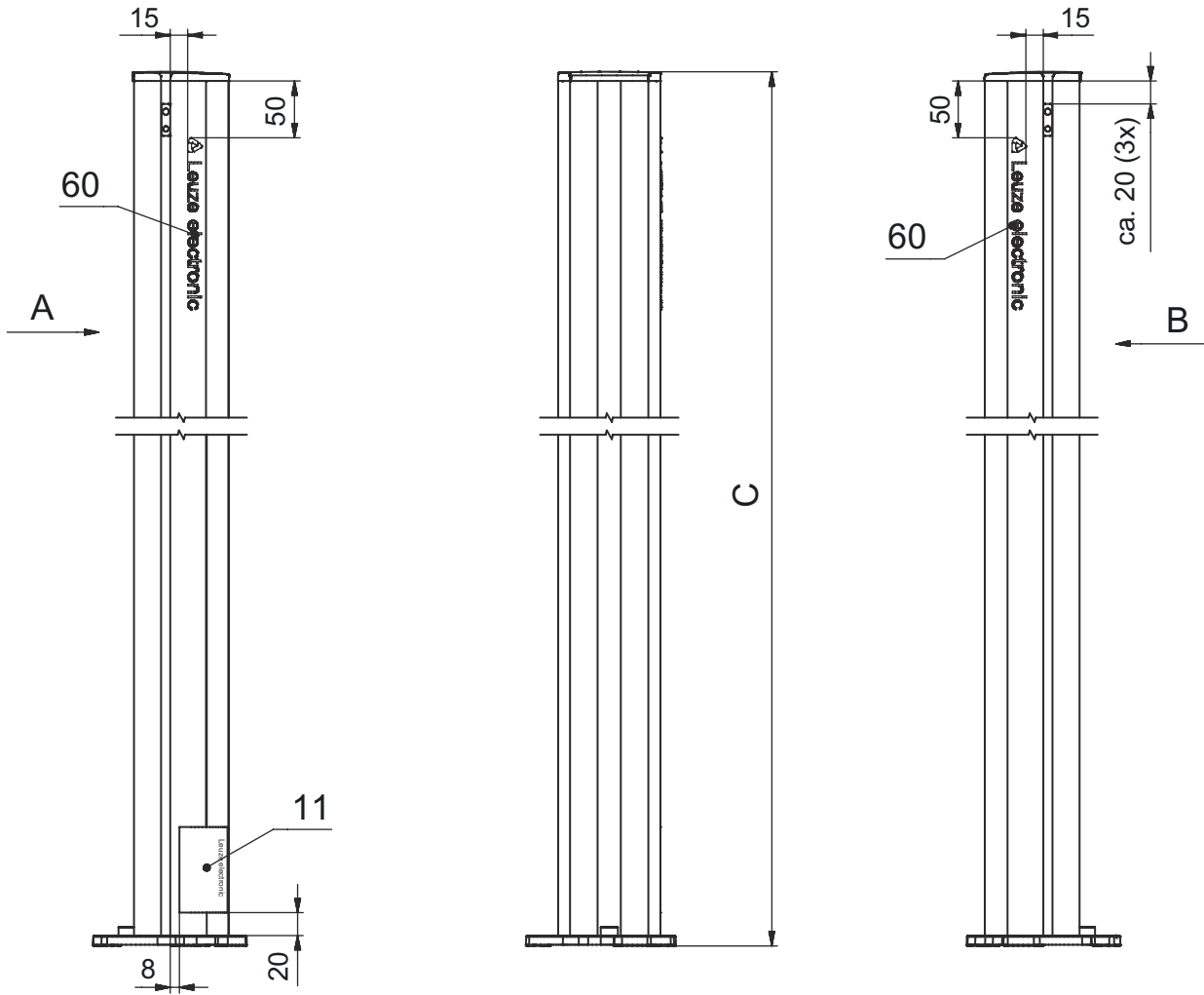
| | |
|----------------------------------|--------------------------|
| Dimension (W x H x L) | 134 mm x 840 mm x 134 mm |
| Housing material | Metal Plastic |
| Metal housing | Aluminum |
| Net weight | 2,675 g |
| Housing color | Yellow, RAL 1021 |
| Type of fastening | Mounting plate |
| Mechanical reset function | No |
| Column height without foot | 840 mm |
| Exterior mounting of accessories | Lateral Rear |

Classification

| | |
|-----------------------|----------|
| Customs tariff number | 76042990 |
| ECLASS 5.1.4 | 27279290 |
| ECLASS 8.0 | 27279290 |
| ECLASS 9.0 | 27279090 |
| ECLASS 10.0 | 27273792 |
| ECLASS 11.0 | 27273792 |
| ECLASS 12.0 | 27273792 |
| ECLASS 13.0 | 27273792 |
| ECLASS 14.0 | 27273792 |
| ECLASS 15.0 | 27273792 |
| ETIM 5.0 | EC002498 |
| ETIM 6.0 | EC003015 |
| ETIM 7.0 | EC003015 |
| ETIM 8.0 | EC003015 |
| ETIM 9.0 | EC003015 |
| ETIM 10.0 | EC003015 |

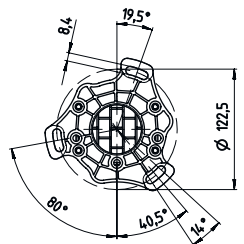
Dimensioned drawings

All dimensions in millimeters

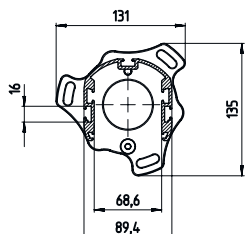
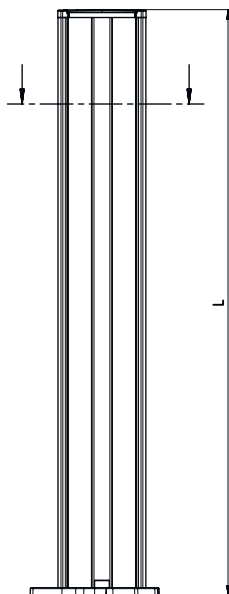


- A Front
- B Front
- C Total height = 840 mm

Dimensioned drawings

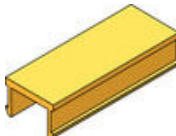


L Total height = 900 mm




Accessories

General

| | Part no. | Designation | Article | Description |
|------------------------------------------------------------------------------------|----------|---------------------|---------|--------------------------------------------------------------------------------------------------|
|  | 50144378 | SET 10x AC-UDC-2000 | Profile | Contains: 10x Suitable for: UDC-S2, DC-S2 device columns Length: 2,000 mm Material: PVC |

Accessories

Replacement part

| | Part no. | Designation | Article | Description |
|----------------------------------------------------------------------------------|----------|-----------------------------|-------------------------------------------|-------------------------------------------------------------------------------|
|  | 430220 | SP-SET AP UDC/DC/ UMC/MC | Device and mirror column accessory set | Type of article: Adapter plate Dimensions: 17.5 mm Housing color: Black |

Note



A list with all available accessories can be found on the Leuze website in the Download tab of the article detailed page.