

## Technical data sheet

### Distribution box

Part no.: 50130602

MD 7XXP-11-82IO4-K100



For illustration purposes only

#### Contents

- Technical data
- Dimensioned drawings
- Electrical connection
- Circuit diagrams
- Operation and display
- Accessories



## Technical data

### Electrical data

#### Inputs

Switching element	PNP
-------------------	-----

#### Performance data

Total current	10 A
---------------	------

#### Input data logic

Nominal input voltage $U_N$	24 V DC
-----------------------------	---------

### Connection

#### Master connection

Type of connection	Cable
Function	Connection to the control
Cable length	10,000 mm

#### Cable properties

Number of conductors	11 Piece(s)
Wire cross section	3 x 0.75 mm <sup>2</sup> 8 x 0.34 mm <sup>2</sup>
AWG	22
Sheathing color	Gray
Shielded	No
Silicone-free	No
Cable design	Connection cable (open on one end)
Cable diameter (external)	8.1 mm
Cable length	10,000 mm
Sheathing material	PUR
Wire insulation	PVC
Traverse rate	Max. 2m/s with horiz. traverse path of 5m and max. acceleration of 5m/s <sup>2</sup>
Suitability for drag chains	Yes
Resistance of the outer sheathing	Hydrolysis and microbe resistant, good oil, gasoline and chemical resistance in accordance with VDE 0472 part 803 test B, flame retardant in accordance with UL 1581 VW1 / CSA FT1 / IEC 60332-1, IEC 60332-2-2

#### Distribution box connections

Number of connections	8 Piece(s)
Thread size	M12
No. of pins	4 -pin
Encoding	A-coded
Type	Female
Material	Plastic
Material of O-ring seal	TPU
Material of contacts	Gold-plated
Operating current per contact	4 A

### Mechanical data

Design	Cubic
Dimension (W x H x L)	50 mm x 32 mm x 90 mm
Housing material	Plastic
Net weight	1,500 g
Screw tightening torque	1 N·m
Bending cycles	2,000,000 Piece(s)
Bending radius, flexible laying, min.	Min. 12 x cable diameter

### Operation and display

Type of display	LED
-----------------	-----

### Environmental data

Ambient temperature, operation	-5 ... 70 °C
--------------------------------	--------------

### Certifications

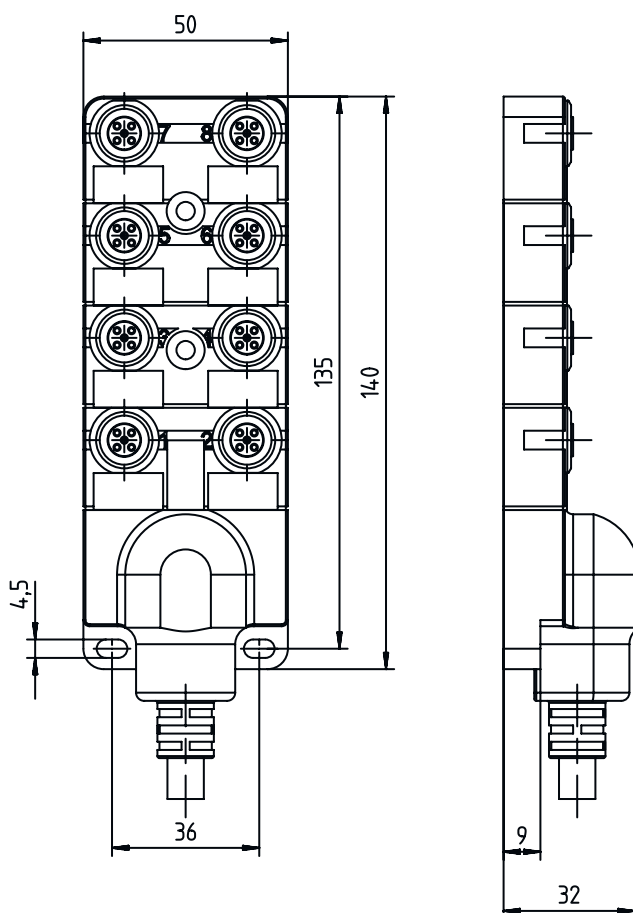
Degree of protection	IP 65 IP 67
Certifications	c UL US

### Classification

Customs tariff number	85444290
ECLASS 5.1.4	27279201
ECLASS 8.0	27279219
ECLASS 9.0	27440108
ECLASS 10.0	27440108
ECLASS 11.0	27440108
ECLASS 12.0	27440108
ECLASS 13.0	27440108
ECLASS 14.0	27440108
ETIM 5.0	EC002585
ETIM 6.0	EC002585
ETIM 7.0	EC002585
ETIM 8.0	EC002585
ETIM 9.0	EC002585

## Dimensioned drawings

All dimensions in millimeters



## Electrical connection

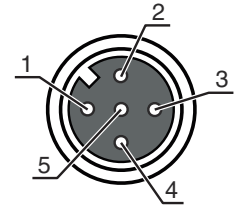
### Connection 1

Type of connection	Cable
Number of conductors	11 -wire

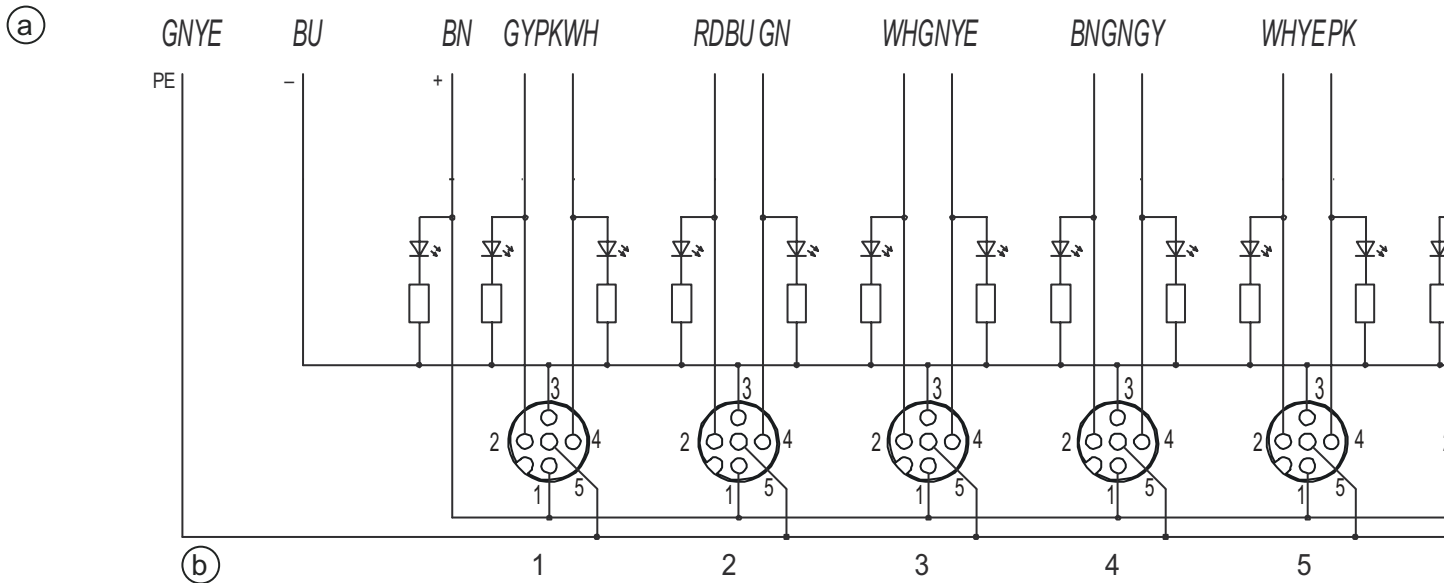
Conductor color	Conductor assignment
Brown	+
Blue	-
White	Socket 1 / contact 4
Green	Socket 2 / contact 4
Yellow	Socket 3 / contact 4
Gray	Socket 4 / contact 4
Pink	Socket 5 / contact 4
Red	Socket 6 / contact 4
Black	Socket 7 / contact 4
Violet	Socket 8 / contact 4
Green / Yellow	PE

# Electrical connection

Pin	Pin assignment
1	+
2	n.c.
3	-
4	Signal 1 (NO)
5	PE



## Circuit diagrams



- a Cable
- b Socket


NOTE M12 socket, 4-pin: contact 2 not connected

## Operation and display

LED	Display	Meaning
1	Green, continuous light	Operating voltage applied
2	Yellow, continuous light	Signal 1

## Accessories

### General

	Part no.	Designation	Article	Description
	50134480	CAP M12K-Set	Connection cap	Type: Cap for free sockets Thread size: M12 Material: Plastic

## Accessories

### Note



🔗 A list with all available accessories can be found on the Leuze website in the Download tab of the article detailed page.