

## Technical data sheet

### Transponder

Part no.: 50032396

TFI 03 1101.120

#### Contents

- Technical data
- Dimensioned drawings
- Notes
- Further information
- Accessories



For illustration purposes only



## Technical data

### Basic data

Series	TFI
Suitable for	RFI
Chip	EM4102
Working frequency	0.125 MHz

### Electrical data

#### Performance data

Memory size	8 B
Memory block	1 Piece(s)

### Certifications

Standards applied	ISO 15693
-------------------	-----------

### Mechanical data

Design	Disc
Thickness	2.1 mm
Outer diameter	30 mm
Inner diameter	3.2 mm
Housing material	Plastic
Plastic housing	PC
Net weight	2.8 g
Type of fastening	Through-hole mounting

### Environmental data

Ambient temperature, operation	-20 ... 70 °C
Ambient temperature, storage	-40 ... 90 °C

### Certifications

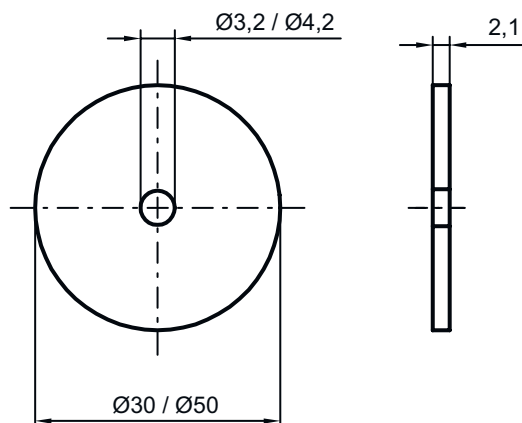
Degree of protection	IP 65
----------------------	-------

### Classification

Customs tariff number	85235200
ECLASS 5.1.4	27289200
ECLASS 8.0	27289290
ECLASS 9.0	27280402
ECLASS 10.0	27280402
ECLASS 11.0	27280402
ECLASS 12.0	27280402
ECLASS 13.0	27280402
ECLASS 14.0	27280402
ETIM 5.0	EC002498
ETIM 6.0	EC002996
ETIM 7.0	EC002996
ETIM 8.0	EC002996
ETIM 9.0	EC002996

## Dimensioned drawings

All dimensions in millimeters



## Notes



### Observe intended use!




- ⚠ This product is not a safety sensor and is not intended as personnel protection.
- ⚠ The product may only be put into operation by competent persons.
- ⚠ Only use the product in accordance with its intended use.

## Further information

- Under certain circumstances, metal in the reading field reduces the operating range considerably.

## Accessories

### Mounting technology - Other

	Part no.	Designation	Article	Description
	50107102	Spacer 30 HT	Spacer	Design, housing: Hollow cylinder Outer diameter: 30 mm Inner diameter: 5 mm Housing material: Plastic, PA 66

#### Note



A list with all available accessories can be found on the Leuze website in the Download tab of the article detailed page.