

Technical data sheet

Connection unit

Part no.: 50116467

MK 348

Contents

- Technical data
- Dimensioned drawings
- Electrical connection
- Operation and display



For illustration purposes only

Technical data

Basic data

Suitable for	BCL 348i
	BPS 348i

Interface

Type	PROFINET
------	----------

Connection

Number of connections	4 Piece(s)
-----------------------	------------

Connection 1

Function	PWR / SW IN / OUT
Type of connection	Terminal
No. of pins	5 -pin

Connection 2

Function	HOST / BUS IN
Type of connection	Terminal
No. of pins	5 -pin

Connection 3

Function	BUS OUT
Type of connection	Terminal
No. of pins	5 -pin

Connection 4

Function	Service interface
Type of connection	USB

Mechanical data

Design	Cubic
Dimension (W x H x L)	64 mm x 83.5 mm x 43.5 mm
Housing material	Metal
	Plastic
Metal housing	Diecast aluminum
Net weight	186 g
Housing color	Red

Operation and display

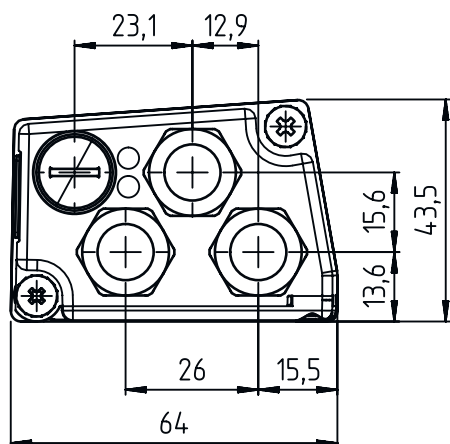
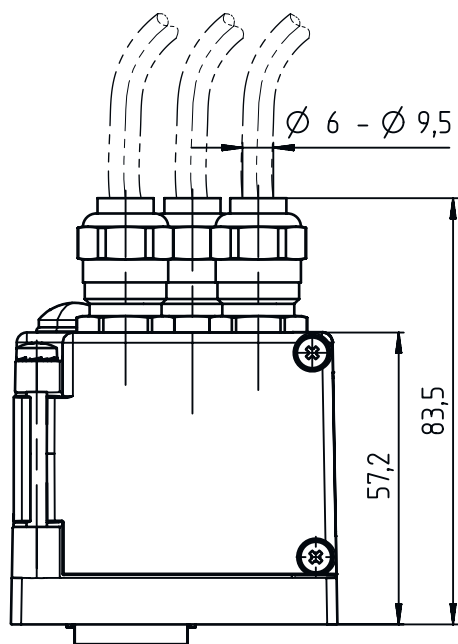
Type of display	LED
Number of LEDs	2 Piece(s)

Classification

Customs tariff number	84733080
ECLASS 5.1.4	27280190
ECLASS 8.0	27280190
ECLASS 9.0	27279090
ECLASS 10.0	27280192
ECLASS 11.0	27280191
ECLASS 12.0	27280191
ECLASS 13.0	27280191
ECLASS 14.0	27280191
ECLASS 15.0	27280191
ECLASS 16.0	27280191
ETIM 5.0	EC002498
ETIM 6.0	EC003015
ETIM 7.0	EC003015
ETIM 8.0	EC003015
ETIM 9.0	EC003015
ETIM 10.0	EC003015
UNSPSC 26.08	31242100

Dimensioned drawings

All dimensions in millimeters



Electrical connection

Connection 1

Function	PWR / SW IN / OUT
Type of connection	Terminal
Cable gland	M16
No. of pins	5 -pin

Electrical connection

Terminal	Assignment
1	SWIO 2
2	SWIO 1
3	VIN
4	GNDIN
5	FE

Connection 2

Function	HOST / BUS IN
Type of connection	Terminal
Cable gland	M16
No. of pins	5 -pin

Terminal	Assignment
1	TD0+
2	TD0-
3	RD0+
4	RD0-
5	n.c.

Connection 3

Function	BUS OUT
Type of connection	Terminal
Cable gland	M16
No. of pins	5 -pin

Terminal	Assignment
1	TD1+
2	TD1-
3	RD1+
4	RD1-
5	n.c.

Connection 4

Function	Service interface
Type of connection	USB
Connector type	USB 2.0 Mini-B

Operation and display

LED	Display	Meaning
1	Green, continuous light	Ethernet
	Yellow, flashing	Data transmission active
2	Green, continuous light	Ethernet
	Yellow, flashing	Data transmission active