

## Technical data sheet

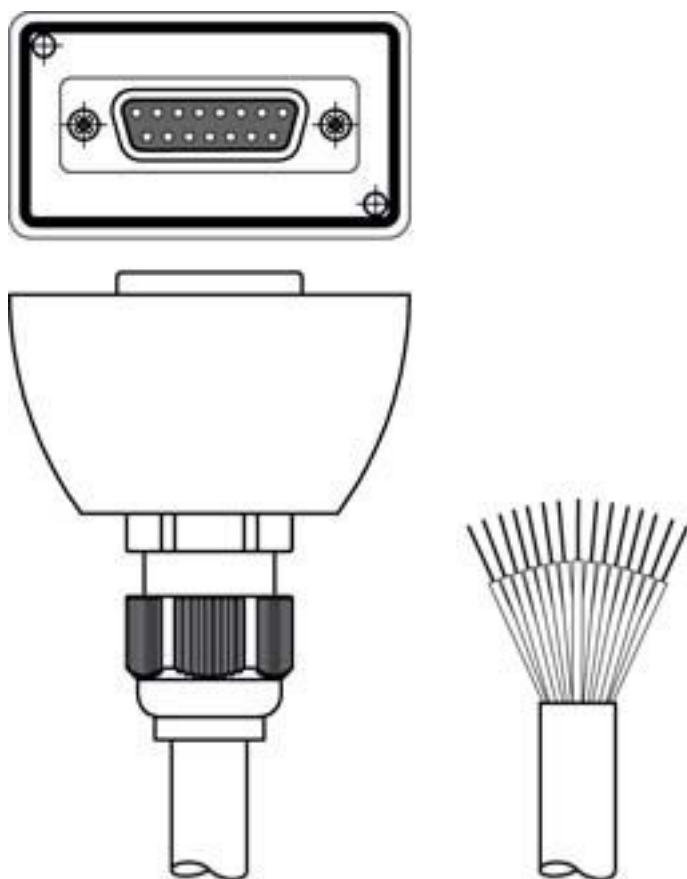
### Connection cable

Part no.: 548522

CB-D15E-25000S-11GF

#### Contents

- Technical data
- Electrical connection



For illustration purposes only



## Technical data

### Basic data

|                  |                             |
|------------------|-----------------------------|
| Application      | Oil and lubricant resistant |
| Parameter memory | Yes                         |

### Electrical data

#### Performance data

|                   |            |
|-------------------|------------|
| Operating voltage | 30 V AC/DC |
|-------------------|------------|

### Connection

#### Connection 1

|                    |         |
|--------------------|---------|
| Type of connection | Sub-D   |
| Connector, LED     | No      |
| Type               | Female  |
| No. of pins        | 15 -pin |
| Version            | Axial   |

#### Connection 2

|                    |          |
|--------------------|----------|
| Type of connection | Open end |
|--------------------|----------|

#### Cable properties

|                             |                                    |
|-----------------------------|------------------------------------|
| Number of conductors        | 11 Piece(s)                        |
| Sheathing color             | Black                              |
| Shielded                    | Yes                                |
| Cable design                | Connection cable (open on one end) |
| Cable diameter (external)   | 8.7 mm                             |
| Cable length                | 25,000 mm                          |
| Sheathing material          | PUR                                |
| Suitability for drag chains | No                                 |

### Mechanical data

|            |         |
|------------|---------|
| Net weight | 2,848 g |
|------------|---------|

### Operation and display

### Certifications

|            |                |
|------------|----------------|
| US patents | US 7,696,468 B |
|------------|----------------|

### Classification

|                       |          |
|-----------------------|----------|
| Customs tariff number | 85444290 |
| ECLASS 5.1.4          | 27279201 |
| ECLASS 8.0            | 27279218 |
| ECLASS 9.0            | 27060311 |
| ECLASS 10.0           | 27060311 |
| ECLASS 11.0           | 27060311 |
| ECLASS 12.0           | 27060311 |
| ECLASS 13.0           | 27060311 |
| ECLASS 14.0           | 27060311 |
| ECLASS 15.0           | 27060311 |
| ECLASS 16.0           | 27060311 |
| ETIM 5.0              | EC001855 |
| ETIM 6.0              | EC001855 |
| ETIM 7.0              | EC001855 |
| ETIM 8.0              | EC001855 |
| ETIM 9.0              | EC001855 |
| ETIM 10.0             | EC001855 |
| UNSPSC 26.08          | 26121604 |

## Electrical connection

### Connection 1

|                    |         |
|--------------------|---------|
| Type of connection | Sub-D   |
| Connector, LED     | No      |
| Type               | Female  |
| No. of pins        | 15 -pin |
| Version            | Axial   |

### Connection 2

|                    |          |
|--------------------|----------|
| Type of connection | Open end |
|--------------------|----------|