

## Technical data sheet Optical guidance sensor

Part no.: 50137477

OGS 600-140/D2-M12.8

### Contents

- Technical data
- Dimensioned drawings
- Electrical connection
- Diagrams
- Notes
- Accessories



For illustration purposes only



## Technical data

### Basic data

Series	OGS 600
Application	Optical guidance
Trace types	Dark trace on light background
	Light trace on dark background
	Retro-reflective trace

### Optical data

Working range	10 ... 70 mm
Light source	LED, Red
Wavelength	634 nm
Transmitted-signal shape	Pulsed
Detection width for complete trace	115 mm

### Measurement data

Measurement value resolution	1 mm, Working distance 35 mm
Linearity error	0 ... 5 mm, Working distance 35 mm
Output value for edges	170 ... 1,330
Maximum output value	0 ... 1,500

### Electrical data

Protective circuit	Polarity reversal protection
	Short circuit protected

#### Performance data

Supply voltage $U_B$	18 ... 30 V, DC
Average power consumption	4 W

#### Outputs

Number of digital switching outputs	1 Piece(s)
-------------------------------------	------------

#### Switching outputs

Type	Digital switching output
Voltage type	DC
Switching current, max.	100 mA
Switching voltage	high: $\geq(U_B - 2V)$
	low: $\leq 2 V$

#### Switching output 1

Switching element	Transistor, PNP
Switching principle	Trace monitoring / contrast monitoring, adjustable

#### Inputs/outputs selectable

Number of inputs/outputs selectable	1 Piece(s)
Voltage type, outputs	DC
Switching voltage, outputs	high: $\geq(U_B - 2V)$
	low: $\leq 2 V$
Voltage type, inputs	DC
Switching voltage, inputs	high: $\geq 8V$
	low: $\leq 2 V$

#### Input/output 1

Function	Activation input
	Deactivation input
	Trace monitoring / contrast monitoring, adjustable

### Time behavior

Cycle time	10 ms
------------	-------

### Interface

Type	RS 422
<b>RS 422</b>	
Function	Process
Transmission speed	19,200 ... 115,200 Bd
Start bit	1
Data bit	8
Stop bit	1
Parity	Uneven parity bit
Data encoding	Binary

### Connection

Number of connections	1 Piece(s)
-----------------------	------------

#### Connection 1

Function	Data interface
	Signal IN
	Signal OUT
	Voltage supply
Type of connection	Connector
Thread size	M12
Type	Male
Material	Metal
No. of pins	8 -pin
Encoding	A-coded

### Mechanical data

Design	Cubic
Dimension (W x H x L)	34.5 mm x 47.5 mm x 216 mm
Metal housing	Aluminum
Lens cover material	Plastic
Net weight	245 g
Housing color	Red
Type of fastening	Supplied mounting bracket

### Operation and display

Type of configuration	Software
-----------------------	----------

### Environmental data

Ambient temperature, operation	-15 ... 50 °C
Ambient temperature, storage	-30 ... 60 °C

### Certifications

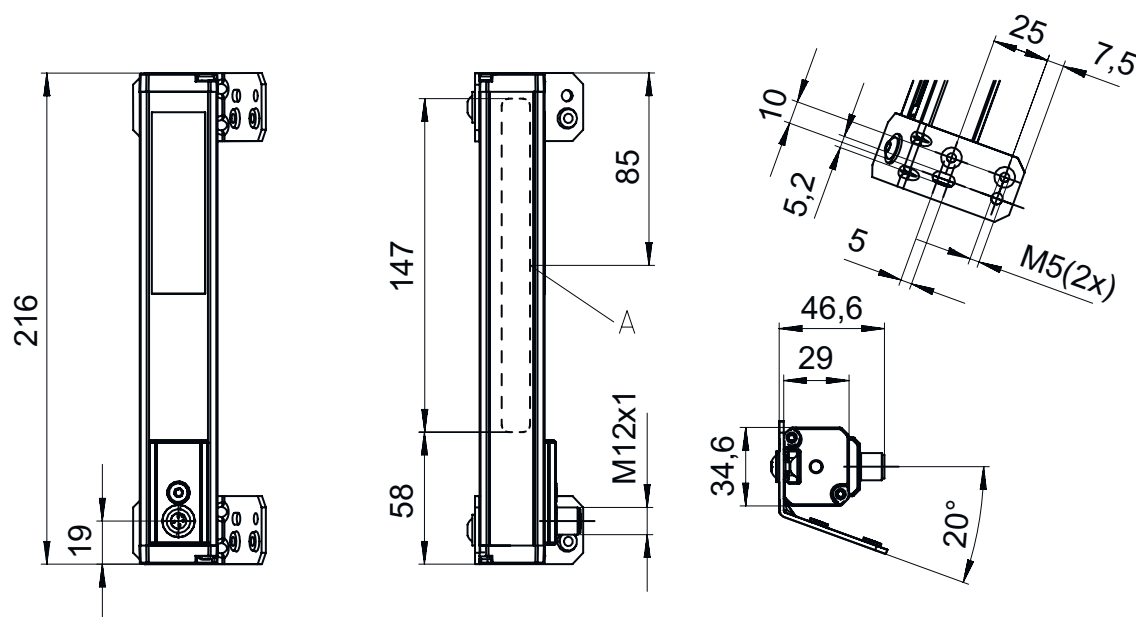
Degree of protection	IP 65
Protection class	III
Approvals	c UL US
Standards applied	EN 60947-5-2:2007+A1:2012

## Technical data

Customs tariff number	85365019
ECLASS 5.1.4	27270906
ECLASS 8.0	27270906
ECLASS 9.0	27270906
ECLASS 10.0	27270906
ECLASS 11.0	27270906
ECLASS 12.0	27270906
ECLASS 13.0	27270906
ECLASS 14.0	27270906
ECLASS 15.0	27270906
ETIM 5.0	EC001820
ETIM 6.0	EC001820
ETIM 7.0	EC001820
ETIM 8.0	EC001820
ETIM 9.0	EC001820
ETIM 10.0	EC001820

## Dimensioned drawings

All dimensions in millimeters



A Integrated illumination

## Electrical connection

### Connection 1

Function

Data interface

Signal IN

Signal OUT

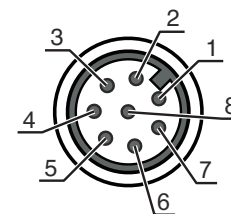
Voltage supply

# Electrical connection

## Connection 1

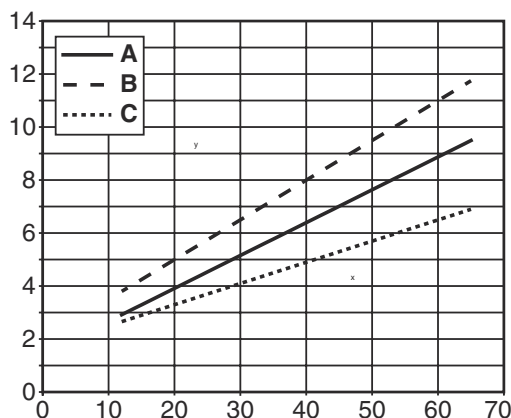
Type of connection	Connector
Thread size	M12
Type	Male
Material	Metal
No. of pins	8 -pin
Encoding	A-coded

Pin	Pin assignment
1	V+
2	SW IN/OUT
3	GND
4	OUT
5	Tx+
6	Tx-
7	Rx+
8	Rx-



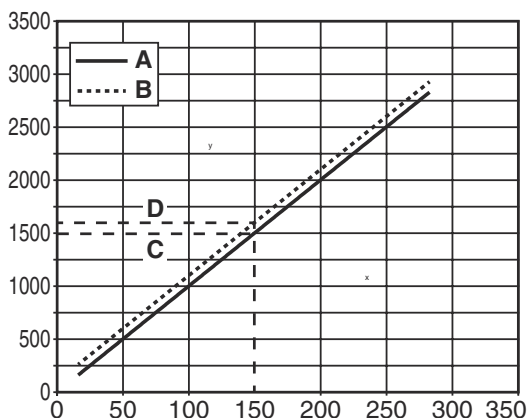
## Diagrams

Typical value of characteristic curve: linearity error



- x Floor-sensor distance [mm]
- y Linearity error [mm]
- A Typical value
- B max.
- C min.

Sensor characteristic curve with one trace



- x Position of the trace's left edge below the sensor [mm]
- y Edge position
- A Measurement value of left edge
- B Measurement value of right edge
- C Position of left edge
- D Position of right edge

## Notes

### Observe intended use!



- ⌘ This product is not a safety sensor and is not intended as personnel protection.
- ⌘ The product may only be put into operation by competent persons.
- ⌘ Only use the product in accordance with its intended use.



### For UL applications:



- ⌘ For UL applications, use is only permitted in Class 2 circuits in accordance with the NEC (National Electric Code).
- ⌘ Max. ambient temperature: 50°C
- ⌘ Only for use in NFPA 79 applications
- ⌘ Only suitable for indoors

## Accessories

### Connection technology - Connection cables

	Part no.	Designation	Article	Description
 	50135121	KD U-M12-8A-P1-020	Connection cable	Connection 1: Connector, M12, Axial, Female, A-coded, 8 -pin Connector, LED: No Connection 2: Open end Shielded: No Cable length: 2.000 mm Sheathing material: PUR

### Note



- ⌘ A list with all available accessories can be found on the Leuze website in the Download tab of the article detailed page.