

## Technical data sheet

### Connection unit

Part no.: 50131258

ME 348 214

#### Contents

- Technical data
- Dimensioned drawings
- Electrical connection
- Operation and display



For illustration purposes only

# Technical data

## Basic data

Suitable for	BCL 348i
--------------	----------

## Interface

Type	PROFINET, PROFINET
------	--------------------

## Connection

Number of connections	5 Piece(s)
-----------------------	------------

### Connection 1

Function	PWR / SW IN / OUT
Type of connection	Cable with connector
Thread size	M12
Type	Male
Material	Metal
No. of pins	5 -pin
Encoding	A-coded

### Connection 2

Function	Service interface
Type of connection	USB
Connector type	USB 2.0 Mini-B

### Connection 3

Function	HOST / BUS IN
Type of connection	Cable with RJ45 socket

### Connection 4

Function	BUS OUT
Type of connection	Cable with RJ45 socket

### Connection 5

Function	Signal OUT
Type of connection	Cable with connector
Thread size	M8
Type	Female
Material	Metal
No. of pins	4 -pin
Encoding	A-coded
Cable length	300

## Mechanical data

Design	Cubic
Dimension (W x H x L)	64 mm x 33.5 mm x 43.5 mm
Housing material	Metal
Metal housing	Diecast aluminum
Net weight	70 g
Housing color	Red, RAL 3000

## Operation and display

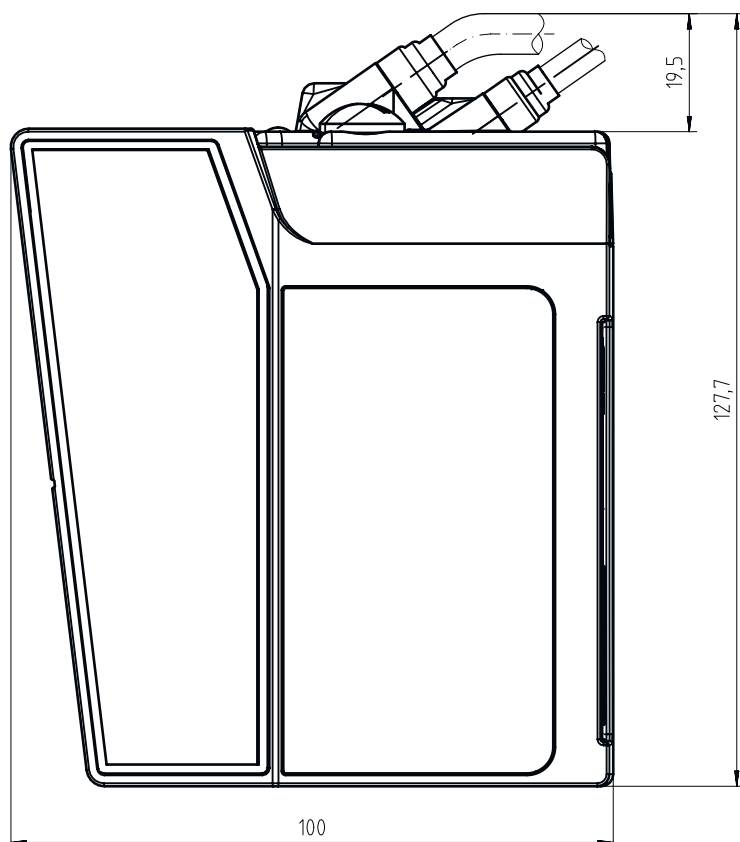
Type of display	LED
Number of LEDs	2 Piece(s)

## Classification

Customs tariff number	84733080
ECLASS 5.1.4	27280190
ECLASS 8.0	27280190
ECLASS 9.0	27279090
ECLASS 10.0	27280192
ECLASS 11.0	27280191
ECLASS 12.0	27280191
ECLASS 13.0	27280191
ECLASS 14.0	27280191
ECLASS 15.0	27280191
ETIM 5.0	EC002498
ETIM 6.0	EC003015
ETIM 7.0	EC003015
ETIM 8.0	EC003015
ETIM 9.0	EC003015
ETIM 10.0	EC003015

# Dimensioned drawings

All dimensions in millimeters



## Electrical connection

### Connection 1

Function	PWR / SW IN / OUT
Type of connection	Cable with connector
Cable length	600 mm
Cable color	Black
Wire cross section	0.34 mm <sup>2</sup>
Thread size	M12
Type	Male
Material	Metal
No. of pins	5 -pin
Encoding	A-coded

### Pin Pin assignment

1	VIN
2	SWIO 1
3	GNDIN
4	SWIO 2
5	FE

# Electrical connection

## Connection 2

Function	Service interface
Type of connection	USB
Connector type	USB 2.0 Mini-B

## Connection 3

Function	HOST / BUS IN
Type of connection	Cable with RJ45 socket
Cable length	400 mm

Pin	Pin assignment
1	TD+
2	RD+
3	TD-
4	n.c.
5	RD-
6	n.c.
7	n.c.
8	n.c.

## Connection 4

Function	BUS OUT
Type of connection	Cable with RJ45 socket
Cable length	500 mm

Pin	Pin assignment
1	TD+
2	RD+
3	TD-
4	n.c.
5	n.c.
6	RD-
7	n.c.
8	n.c.

## Connection 5

Function	Signal OUT
Type of connection	Cable with connector
Thread size	M8
Type	Female
Material	Metal
No. of pins	4 -pin
Encoding	A-coded
Wire cross section	0.34
Cable color	Black
Cable length	300
Sheathing material	PUR

Pin	Pin assignment
1	V+
2	n.c.
3	GND
4	SW OUT

## Operation and display

LED	Display	Meaning
1	Green, continuous light	Ethernet
	Yellow, flashing	Data transmission active
2	Green, continuous light	Ethernet
	Yellow, flashing	Data transmission active