

## Application Note

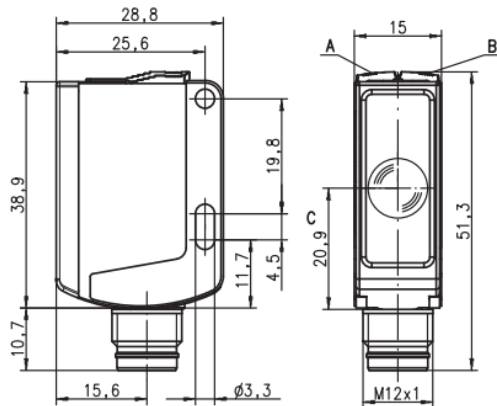
### SLS 25B Series Substitute

# General Information

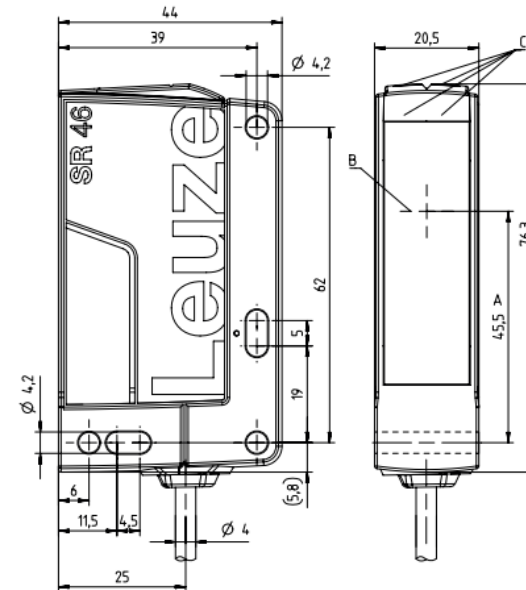
Replacement for SLS 25B in combination with a suitable test monitoring unit MSI-TR1B/ MSI-TR2B

! There is no direct 1:1 substitute

The SLS 46C series can be used as a replacement. The SLS46 C fulfills all functional requirements of the SLS 25B series. **Note the significantly larger dimensions of the SLS 46C** compared to the SLS 25B. Please check the available space in the target application.



**SLS 25B**



**SLS 46C**

# Pin assignment

## Transmitter - pin assignment

Pin	Core Color	SLS 25B	SLS 46C
1	Brown	Supply voltage (10V – 30V DC)	Supply voltage (19,2V – 28,8V DC)
2	White	NC	NC
3	Blue	GND	GND
4	Black	Active	Active

## Receiver - pin assignment

Pin	Core Color	SLS 25B	SLS 46C
1	Brown	Supply voltage (10V – 30V DC)	Supply voltage (19,2V – 28,8V DC)
2	White	OUT (PNP dark switching, NPN light switching)	Diagnosis (PNP dark switching)
3	Blue	GND	GND
4	Black	OUT (PNP light switching, NPN dark switching)	OUT (PNP light switching)

# Optional replacements

OLD



SLS 25B (PLc)



MSI-TR1B/ MSI-TR2B

Replacement



SLS 46 C (PLc)



MSI-TR1B/ MSI-TR2B

# Find the correct replacement

Article number	Article	Devicetyp	Connection	Replacement SLS 46C	Notice
50108494	SLSER 25B/66	Receiver	Cable	SLE46C-40.K2/4P (50121918)	
50110152	SLSER 25B/66, 200-S12	Receiver	Cable with M12 connector	SLE46C-40.K2/4P-M12 (50121917)	M12 connector directly on the device (without cable)
50108492	SLSER 25B/66-S12	Receiver	M12 connector	SLE46C-40.K2/4P-M12 (50121917)	
50108493	SLSER 25B/66-S8	Receiver	Cable with M8 connector	-	No available device type with M8 connection
50108491	SLSSR 25B.8	Transmitter	Cable	SLS46C-40.K28 (50121910)	
50110151	SLSSR 25B.8, 200-S12	Transmitter	Cable with M12 connector	SLS46C-40.K28-M12 (50121909)	M12 connector directly on the device (without cable)
50108489	SLSSR 25B.8-S12	Transmitter	M12 connector	SLS46C-40.K28-M12 (50121909)	
50108490	SLSSR 25B.8-S8	Transmitter	Cable with M8 connector	-	No available device type with M8 connection

# Did you know...

---

...WE KEEP YOU SUPPLIED WORLDWIDE

## **On-Site service, repairs and device replacement service**

- FAST ASSISTANCE DURING START-UP
- FAST HELP WORLDWIDE
- IN THE CASE OF EMERGENCY WE ARE AVAILABLE AROUND THE CLOCK

For emergencies, the Leuze electronic On-Call Service is available to you around the clock at +49 7021 573 – 0.



**For further support  
please contact our  
service hotline**



Technical Hotline

+49 7021 573 -123

[Service.protect@leuze.com](mailto:Service.protect@leuze.com)

Leuze electronic GmbH + Co. KG

[www.leuze.com](http://www.leuze.com)

