

Application Note

Replacement of S420 safety hinge switch

30.03.2020

- All S420 safety hinge switches will be discontinued by 31.12.2020
- As replacement, safety hinge switches of series S400 and / or S410 can be used
- The main differences are shown on the next slides
- A common difference is the **housing material**
 - S420 series – Stainless steel AISI 316L
 - S400/S410 series – Metal, ZAMAK

Product details of S400/S410 can be found on our website

[Link to Leuze website](#)

63000420

DISCONTINUED

63000420

S420-9CB2-LW



Specification

2 NO + 2 NC, slow action
 2m cable
 movable part on right
 cable exit on back
 stainless steel housing

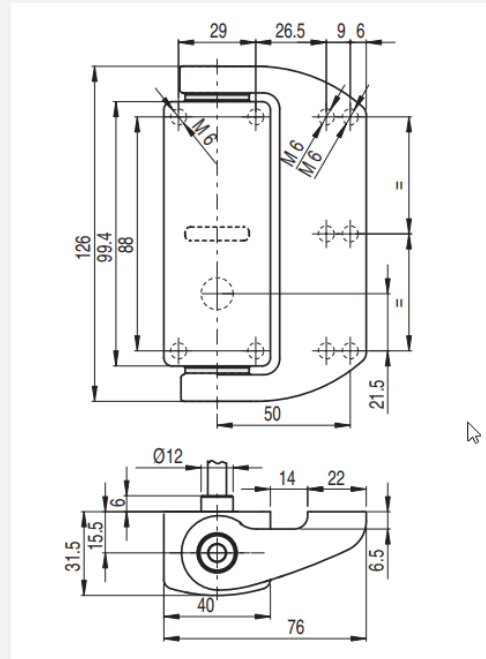


Table 7.1: Pin assignment/core colors S420-9x

Pin	Wire color	Assignment
1	black	NC 1
2	black/white	NC 1
3	red	NC 2
4	red/white	NC 2
5	brown	NO 1
6	blue	NO 1
7	violet	NO 2
8	violet/white	NO 2
Shield	yellow/green	FE - functional earth, shield

REPLACEMENT

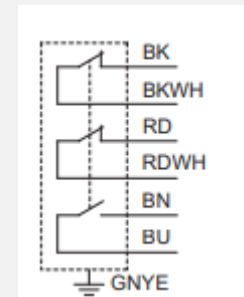
63000411

S400-M4-CB2PUR-W

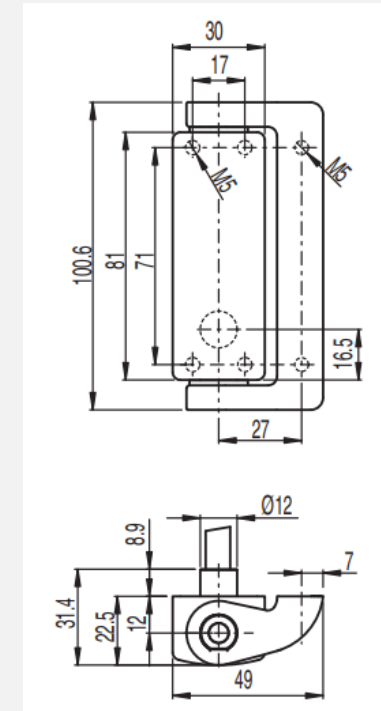


Specification

1 NO + 2 NC, slow action
 2m cable
 movable part on right
 cable exit on back
metal housing



BK = black
 WH = white
 RD = red
 BN = brown
 BU = blue
 GN = green
 YE = yellow/green)



63000421

DISCONTINUED

63000421
S420-OS-CB2-LW



Specification

OSSD out
2 m cable
movable part on right
cable exit on back
stainless steel housing

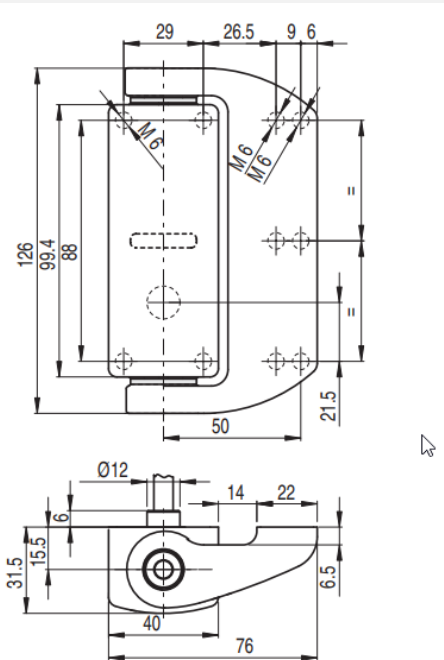


Table 7.2: Pin assignment/core colors S420-OSx

Pin	Wire color	Assignment
1	brown	A1
2	red	IS1
3	blue	A2
4	red/white	OS1
5	black	O3
6	violet	IS2
7	black/white	OS2
8	violet/white	n.c.

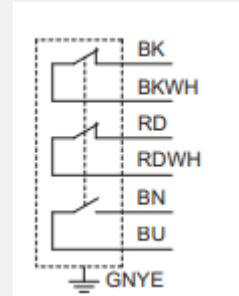
REPLACEMENT

63000411
S400-M4-CB2PUR-W

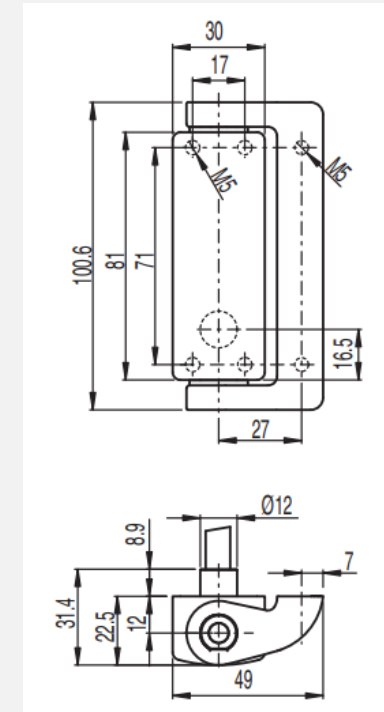


Specification

1 NO + 2 NC, slow action
2m cable
movable part on right
cable exit on back
metal housing



BK = black
WH = white
RD = red
BN = brown
BU = blue
GN = green
YE = yellow/green)



63000423

DISCONTINUED

63000423

S420-OS-CB02M12-LW



Specification

OSSD out
 0.2 m cable with M12 connector, 8-pin
 movable part on right
 cable exit on back
 stainless steel housing

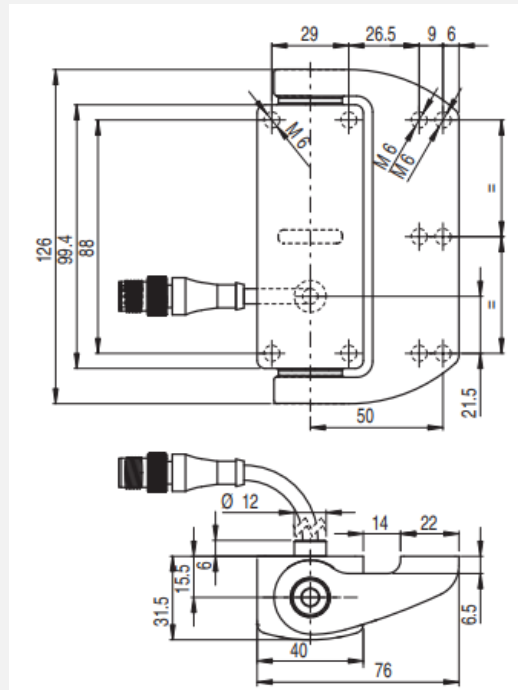
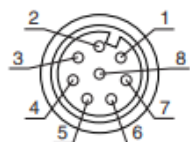


Table 7.2: Pin assignment/core colors S420-OSx

Pin	Wire color	Assignment
1	brown	A1
2	red	IS1
3	blue	A2
4	red/white	OS1
5	black	O3
6	violet	IS2
7	black/white	OS2
8	violet/white	n.c.



Pin assignment S420-9x, S420-OSx

REPLACEMENT

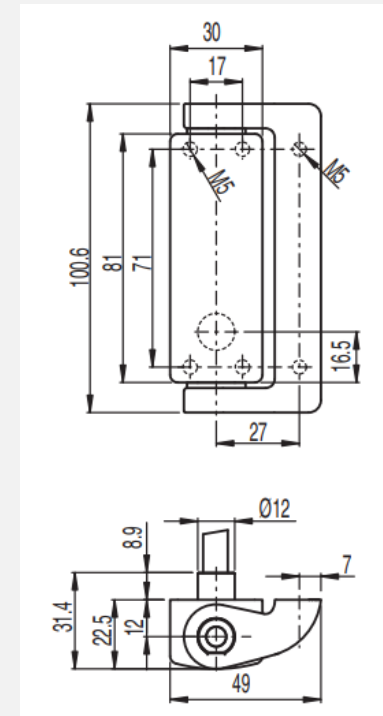
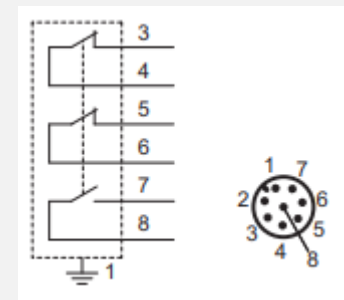
63000406

S400-M4-CB02M12-W



Specification

1 NO + 2 NC, slow action
 0.2 m cable with M12 connector, 8-pin
 movable part on right
 cable exit on back
 metal housing



DISCONTINUED

63000422

S420-9-CB02M12-LW

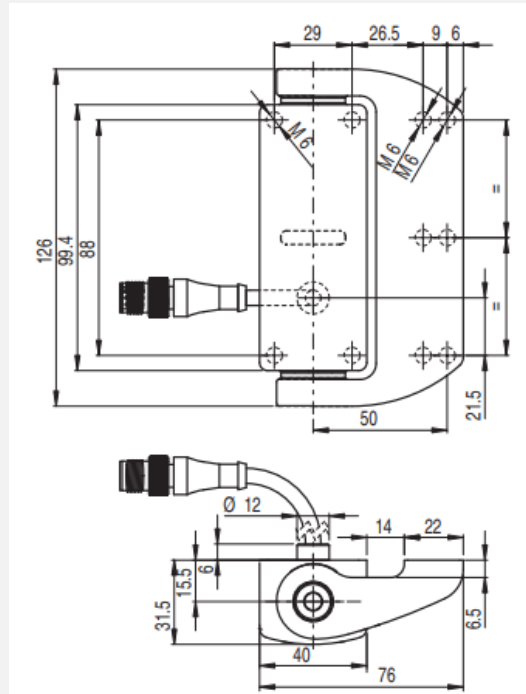
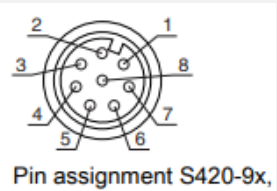


Specification

2 NO + 2 NC, slow action
 0.2 m cable with M12 connector, 8-pin
 movable part on right
 cable exit on back
 stainless steel housing

Table 7.1: Pin assignment/core colors S420-9x

Pin	Wire color	Assignment
1	black	NC 1
2	black/white	NC 1
3	red	NC 2
4	red/white	NC 2
5	brown	NO 1
6	blue	NO 1
7	violet	NO 2
8	violet/white	NO 2
Shield	yellow/green	FE - functional earth, shield



REPLACEMENT

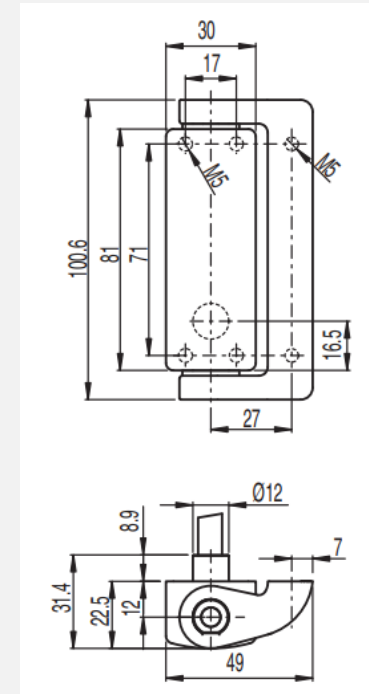
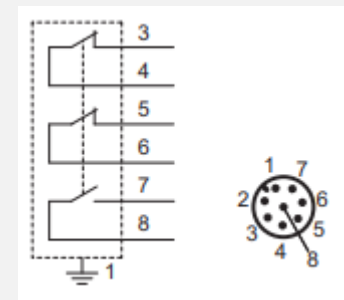
63000406

S400-M4-CB02M12-W



Specification

1 NO + 2 NC, slow action
 0.2 m cable with M12 connector, 8-pin
 movable part on right
 cable exit on back
metal housing



50135657

DISCONTINUED

50135657

S420-9CB5-LW



Specification

2 NO + 2 NC, slow action
5 m cable
movable part on right
cable exit on back
stainless steel housing

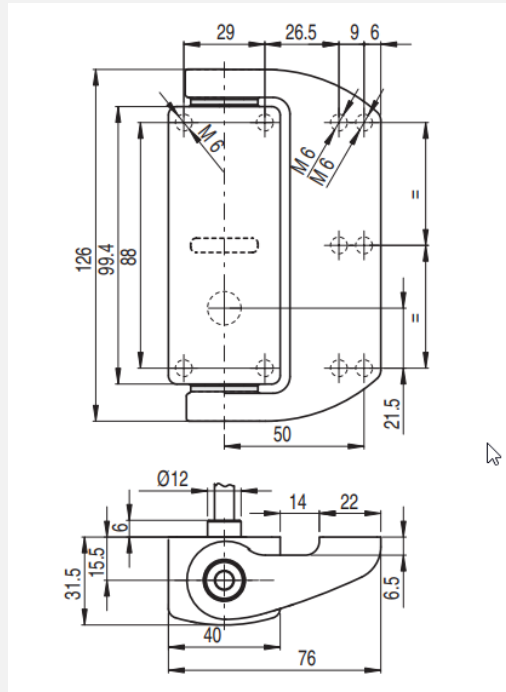


Table 7.1: Pin assignment/core colors S420-9x

Pin	Wire color	Assignment
1	black	NC 1
2	black/white	NC 1
3	red	NC 2
4	red/white	NC 2
5	brown	NO 1
6	blue	NO 1
7	violet	NO 2
8	violet/white	NO 2
Shield	yellow/green	FE - functional earth, shield

REPLACEMENT

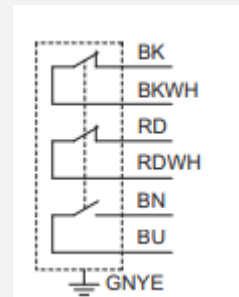
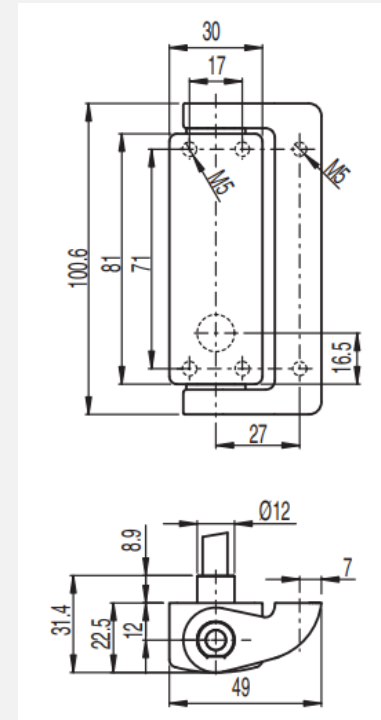
63000411

S400-M4-CB2PUR-W



Specification

1 NO + 2 NC, slow action
2 m cable
movable part on right
cable exit on back
metal housing



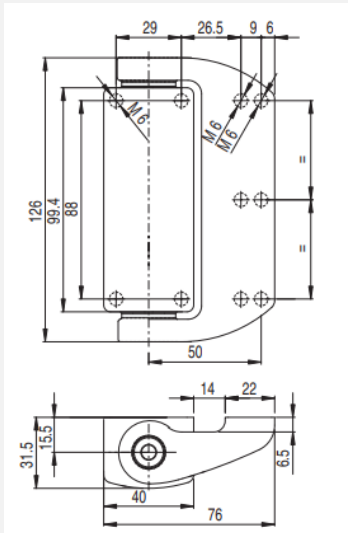
BK = black
WH = white
RD = red
BN = brown
BU = blue
GN = green
YE = yellow/green)

63000778 / 63000779

DISCONTINUED

63000778
AC-H-S420

Specification
Additional hinge
stainless steel housing



63000779
AC-S-S420

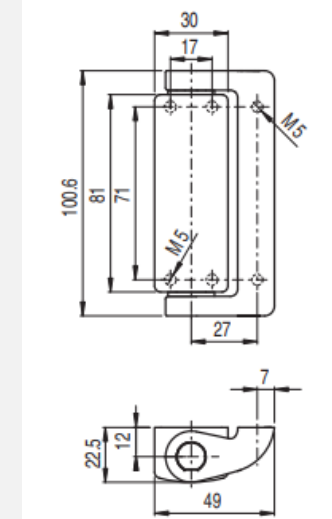


Specification
Seal set

REPLACEMENT

63000770
AC-H-S400

Specification
Additional hinge
metal housing



No substitute available.



**For further support
please contact our
service hotline.**



Technical Hotline

+49 7021 573 -110

service.protect@leuze.com

Leuze electronic GmbH + Co. KG

www.leuze.com

