

Application Note Substitute

RRT44.x



PM4-300



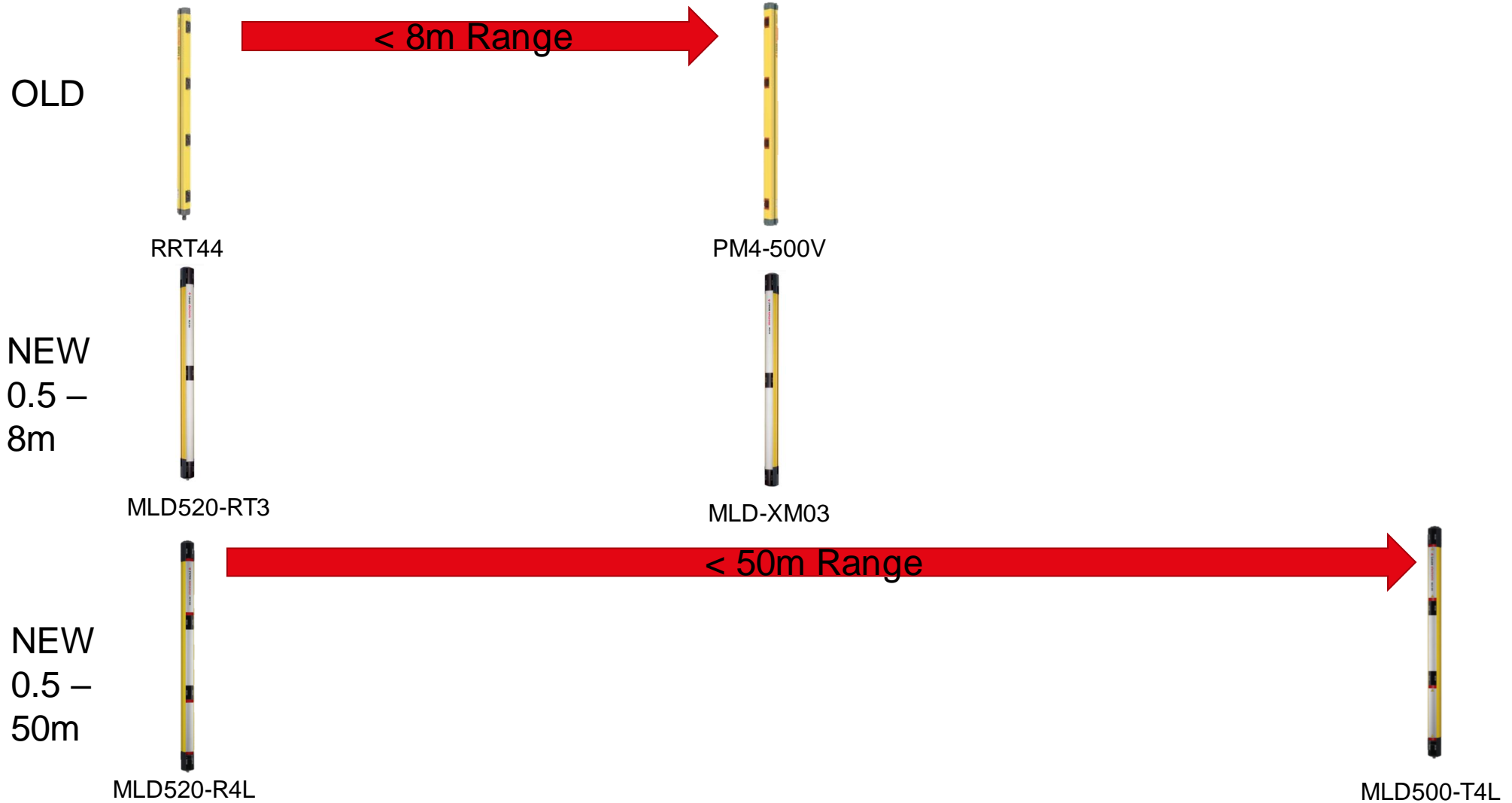
PM4-300V



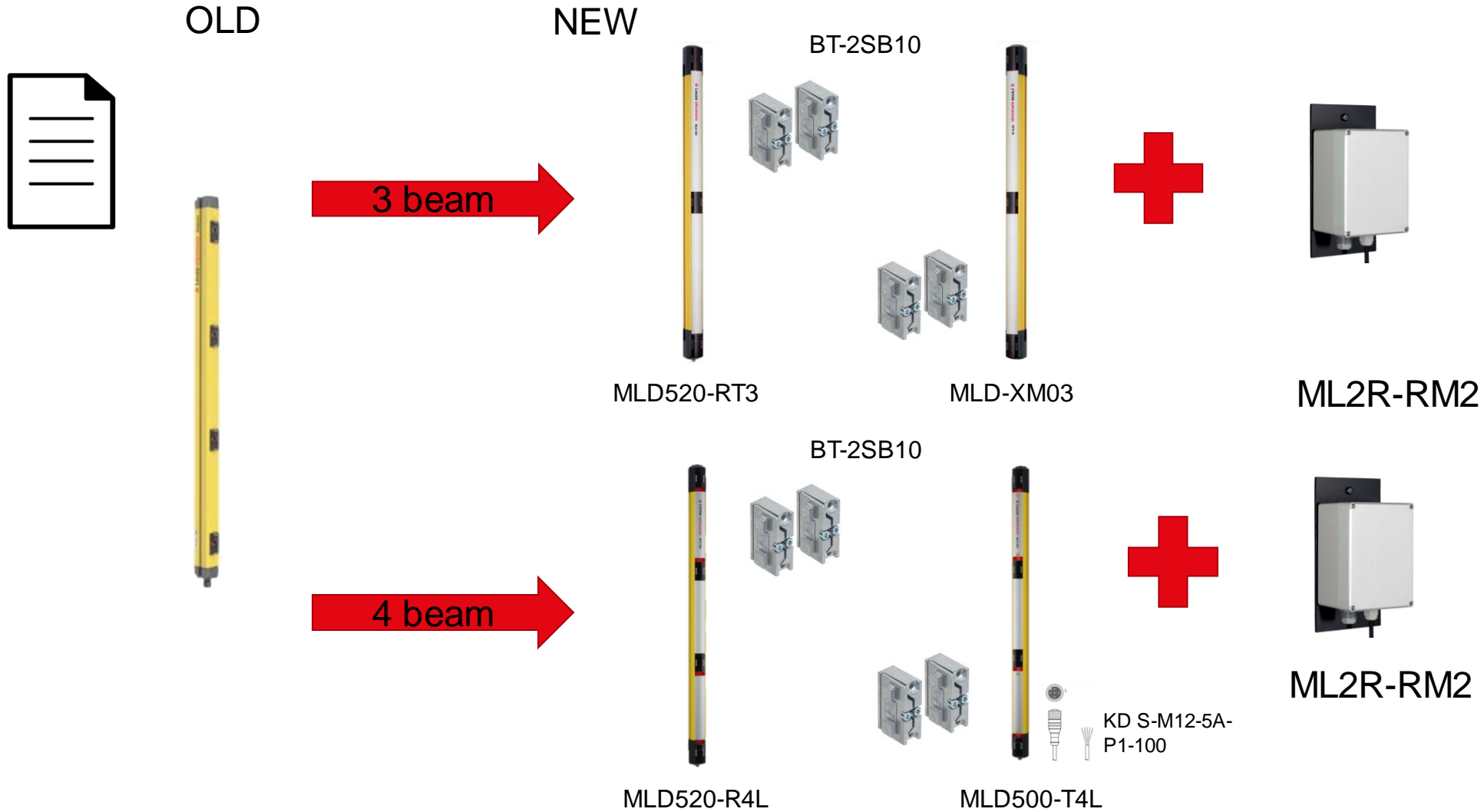
- Replacement for RRT44, 4 beam Type 4, PL-e light grid with relay output
- Due to our portfolio and the very close safety consideration, the proposal is a 3 – beam system.
 - 3 – beam system: MLD520-RT3 and MLD-XM03 with field relay box ML2R-RM2
 - Replacement with no changing in the cabinet due to the relay box
 - Space for relay box (ML2R-RM2) at max. 1.5 m distance from MLD520-RT3
 - If 4 – beam system is required because of the overreach value from EN-ISO 13849 (the former 4 – beam system with 900 mm is just 100 mm higher than the 3-beam system). Additional safety distance at height of danger point of 600 mm: +200 mm and at height of danger point of 800 mm: + 150 mm
 - MLD520-R4L and MLD500-T4L with field relay box ML2R-RM2
 - Replacement with no changing in the cabinet due to the relay box
 - Space for relay box (ML2R-RM2) at max. 1.5 m distance from MLD520-R4L
 - Additional cable for transmitter, MLD500-T4L is required



Find the correct replacement:

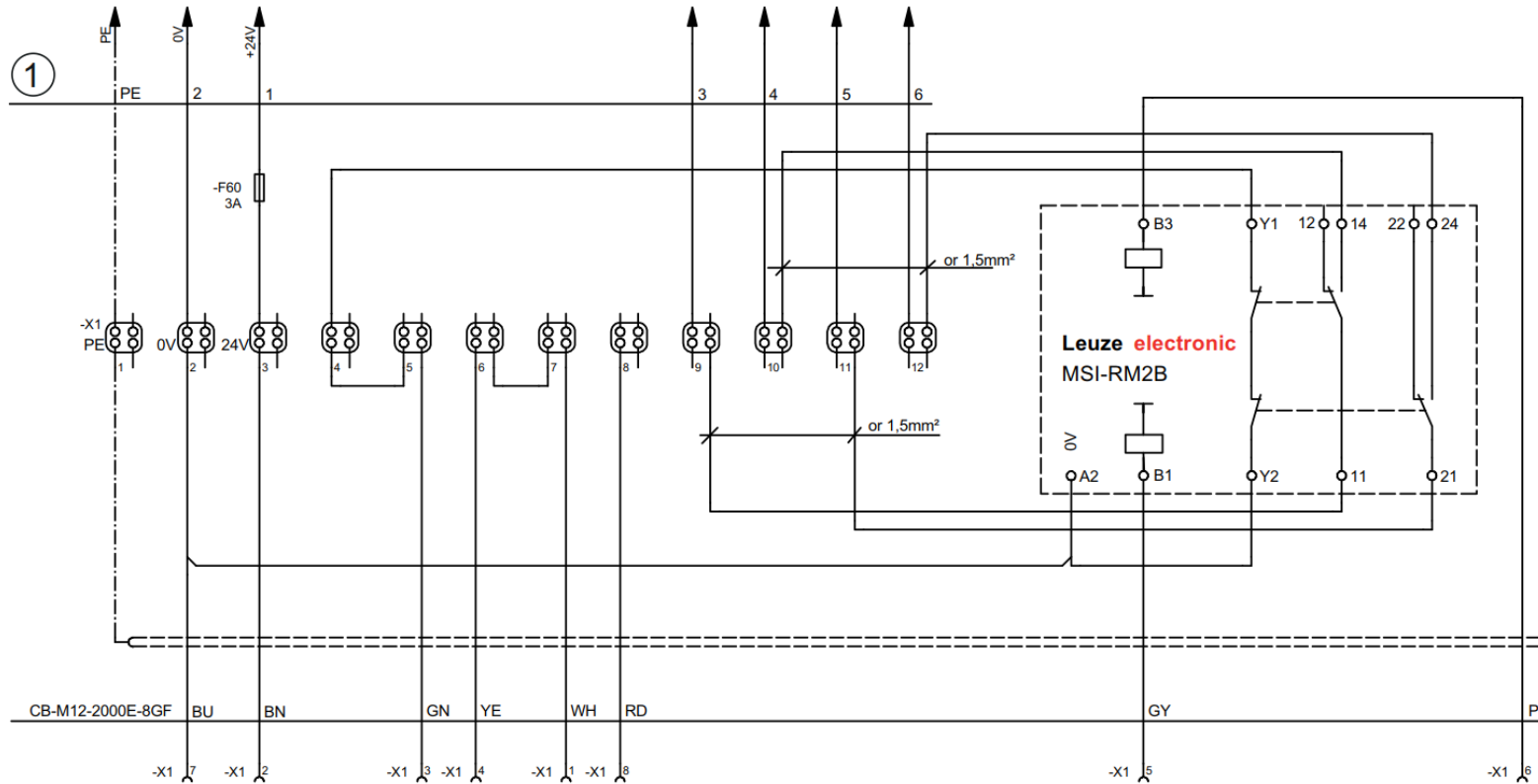


Required products



Substitute RRT 44 with MLD

– Internal wiring of the ML2R-RM2 relay box



Notes for special article numbers

Article code	part no.	special	note
RRT44	50029569	---	---
RRT44/W	51000006	Hirschman plug	Cut plug and wiring directly at ML2R-RM2
RRT44.1	909690	Hirschman plug	Cut plug and wiring directly at ML2R-RM2
RRT44/G	909691	Hirschman plug	Cut plug and wiring directly at ML2R-RM2

– Note:

- Please pay attention to the following points:
 - MLD520-R3L & MLD500-T3L solution has an integrated laser alignment aid
 - If the unit is mounted in a column: MLD – series fits in the same column. Standard mounting height for the lowest beam is at 300 mm above the floor / conveyer.
 - Different response time: RRT42 (<20 msec); MLD520+ML2R-RM2 (<45 msec)

Did you know...

...WE KEEP YOU SUPPLIED WORLDWIDE

On-Site service, repairs and device replacement service

- FAST ASSISTANCE DURING START-UP
- FAST HELP WORLDWIDE
- IN THE CASE OF EMERGENCY WE ARE AVAILABLE AROUND THE CLOCK

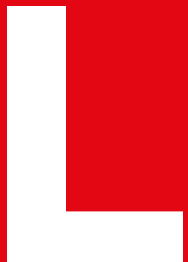


For emergencies, the Leuze electronic On-Call Service is available to you around the clock at +49 7021 573 – 0.





**For further support
please contact our
service hotline.**



Technical Hotline

+49 7021 573 -110

service.protect@leuze.com

Leuze electronic GmbH + Co. KG

www.leuze.com

