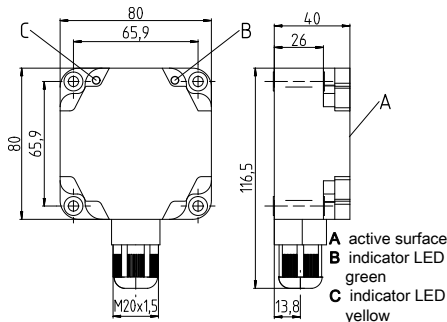


IS 180 PP/...

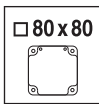
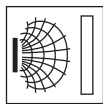
Inductive switches



Dimensioned drawing



50mm non-embedded



Electrical connection

connection terminals


10-30V DC+	1	BR/BN
OUT NC	2	WS/WH
GND	3	BL/BU
OUT NO	4	SW/BK

Specifications

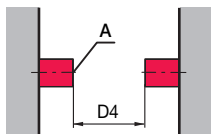
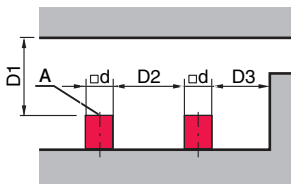
Operating voltage U_B	10 ... 30VDC
Output current I_L	$\leq 200\text{mA}$
Switching output/function	see Sensor Types
Switching frequency f	100Hz
Yellow LED	switching state
Standard target	150 x 150mm ² , Fe360

Operate in accordance with intended use!

- ⚠ This product is not a safety sensor and is not intended as personnel protection.
- ⚠ The product may only be put into operation by competent persons.
- ⚠ Only use the product in accordance with the intended use.

 Detailed data sheets:
www.leuze.com



IS 180 PP/...
Inductive switches
Mounting
non-embedded mounting

A active surface

Sensor Types

Type	Part No.	RANGE/ MOUNTING		ELECTRICAL CONNECTION			OUTPUT		MOUNTING CLEARANCES					
		Sensing Range S_n [mm]	Embedded	Non-Embedded	Cable 2000mm	Screw Terminals	M8, 3-pole	M12, 4-pole	2 x PNP	2 x NPN	Make-Contact (NO) + Break-Contact (NC)	D1 [mm]	D2 [mm]	D3 [mm]
IS 180PP/22-50N-TB.4	50133405	50		•		•			•	•	≥ 150	>160	>100	>300
IS 180PP/44-50N-TB.4	50132770	50		•		•		•	•	•	≥ 150	>160	>100	>300