

Technical data sheet

Reflector

Part no.: 50000068

HTK 82

Contents

- Technical data
- Dimensioned drawings
- Electrical connection



For illustration purposes only

Technical data

Special version

Special version	Heating
-----------------	---------

Electrical data

Performance data

Supply voltage U_B	230 ... 230 V, AC
Power consumption, max.	3.4 W

Time behavior

Connection

Connection 1

Function	Voltage supply
Type of connection	Cable
Cable length	5,000 mm
Sheathing material	PVC
Cable color	Black
Number of conductors	2 -wire

Mechanical data

Design	Round
Direction-dependent	No
Triple reflector size	2.3 mm
Mounting dimension, thickness	21 mm
Mounting dimension, diameter	93 mm
Reflective surface, diameter	78 mm
Reflector material	Plastic
Material of base material	Plastic
Polarization-changing	Yes
Chemical designation, reflector material	PMMA8N
Structure, active surface	Triple
Net weight	250 g
Type of fastening	Through-hole mounting

Environmental data

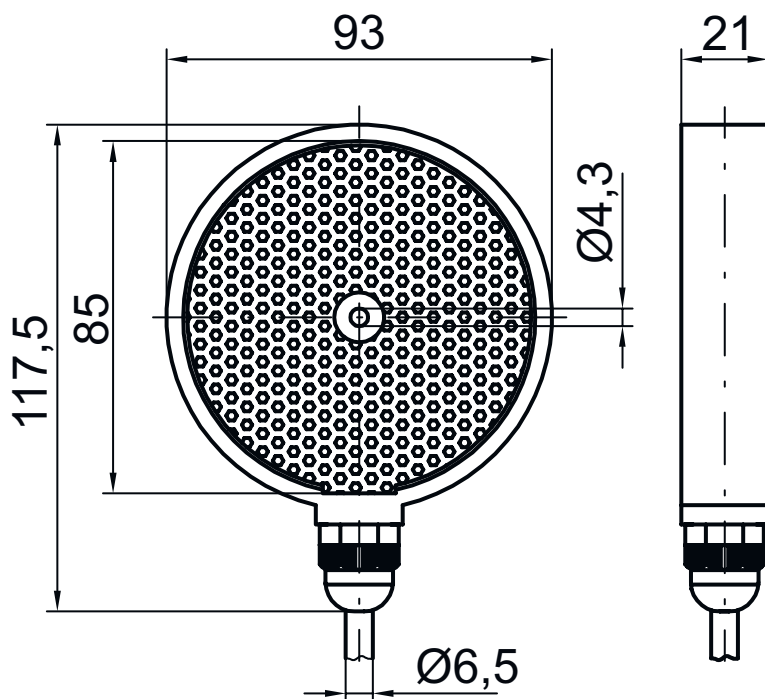
Ambient temperature, operation	-40 ... 70 °C
--------------------------------	---------------

Classification

Customs tariff number	39269097
ECLASS 5.1.4	27279203
ECLASS 8.0	27279203
ECLASS 9.0	27273601
ECLASS 10.0	27273601
ECLASS 11.0	27273601
ECLASS 12.0	27273601
ECLASS 13.0	27273601
ECLASS 14.0	27273601
ECLASS 15.0	27273601
ECLASS 16.0	27273601
ETIM 5.0	EC002467
ETIM 6.0	EC002467
ETIM 7.0	EC002467
ETIM 8.0	EC002467
ETIM 9.0	EC002467
ETIM 10.0	EC002467
UNSPSC 26.08	39121551

Dimensioned drawings

All dimensions in millimeters



Electrical connection

Connection 1

Function	Voltage supply
Type of connection	Cable
Cable length	5,000 mm
Sheathing material	PVC
Cable color	Black
Number of conductors	2 -wire

Pin	Conductor color
1	Blue
2	Brown