

## Technical data sheet

### Mounting system

Part no.: 50119333

BTU D12M-D12-B090

#### Contents

- Technical data
- Dimensioned drawings
- Accessories



For illustration purposes only

## Technical data

### Basic data

Suitable for product group	Rod mounts
Suitable for	12 mm rod

### Mechanical data

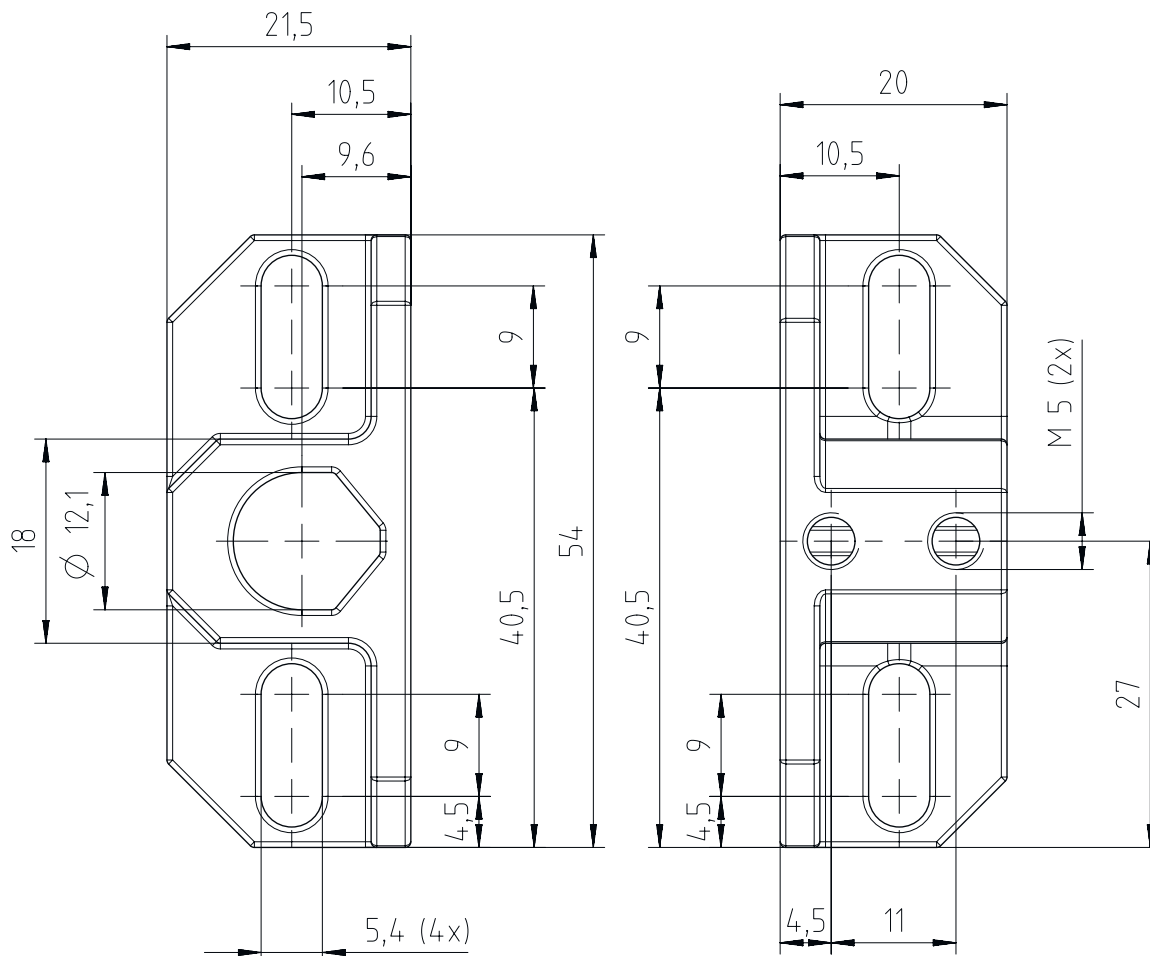
Standard designation, metal mounting device	Diecast aluminum
Net weight	24 g
Design of mounting device	Mounting system
Type of fastening, at system	For 12 mm rod Through-hole mounting
Type of fastening, at device	Clampable
Type of mounting device	Clampable Rigid Turning, 360°
Mounting device material	Metal

### Classification

Customs tariff number	83024900
ECLASS 5.1.4	27279202
ECLASS 8.0	27279202
ECLASS 9.0	27273701
ECLASS 10.0	27273701
ECLASS 11.0	27273701
ECLASS 12.0	27273701
ECLASS 13.0	27273701
ECLASS 14.0	27273701
ECLASS 15.0	27273701
ECLASS 16.0	27273701
ETIM 5.0	EC002498
ETIM 6.0	EC003015
ETIM 7.0	EC003015
ETIM 8.0	EC003015
ETIM 9.0	EC003015
ETIM 10.0	EC003015
UNSPSC 26.08	31242100

# Dimensioned drawings

All dimensions in millimeters







## Accessories

### Mounting technology - Rod mounts

Part no.	Designation	Article	Description
50132565	BTU D12M-Z-230	Rod	Design of mounting device: Z-shaped rod, 12 mm Fastening, at system: Clampable Mounting bracket, at device: Clampable Type of mounting device: Rigid Material: Metal
50119325	BTU D12M.5-045-M8	Mounting system	Design of mounting device: 12 mm rod Fastening, at system: Mounting thread Mounting bracket, at device: Clampable Type of mounting device: Rigid Material: Stainless steel

# Accessories

	Part no.	Designation	Article	Description
	424900	BTU D12M.5-100	Mounting system	Design of mounting device: 12 mm rod Fastening, at system: Clampable Mounting bracket, at device: Clampable Type of mounting device: Rigid Material: Stainless steel
	50119323	BTU D12M.5-150	Mounting system	Design of mounting device: 12 mm rod Fastening, at system: Clampable Mounting bracket, at device: Clampable Type of mounting device: Rigid Material: Stainless steel
	50119324	BTU D12M.5-250	Mounting system	Design of mounting device: 12 mm rod Fastening, at system: Clampable Mounting bracket, at device: Clampable Type of mounting device: Rigid Material: Stainless steel
	50132564	BTU D12M.5-Z-230	Rod	Design of mounting device: Z-shaped rod, 12 mm Fastening, at system: Clampable Mounting bracket, at device: Clampable Type of mounting device: Rigid Material: Stainless steel

### Note



A list with all available accessories can be found on the Leuze website in the Download tab of the article detailed page.