

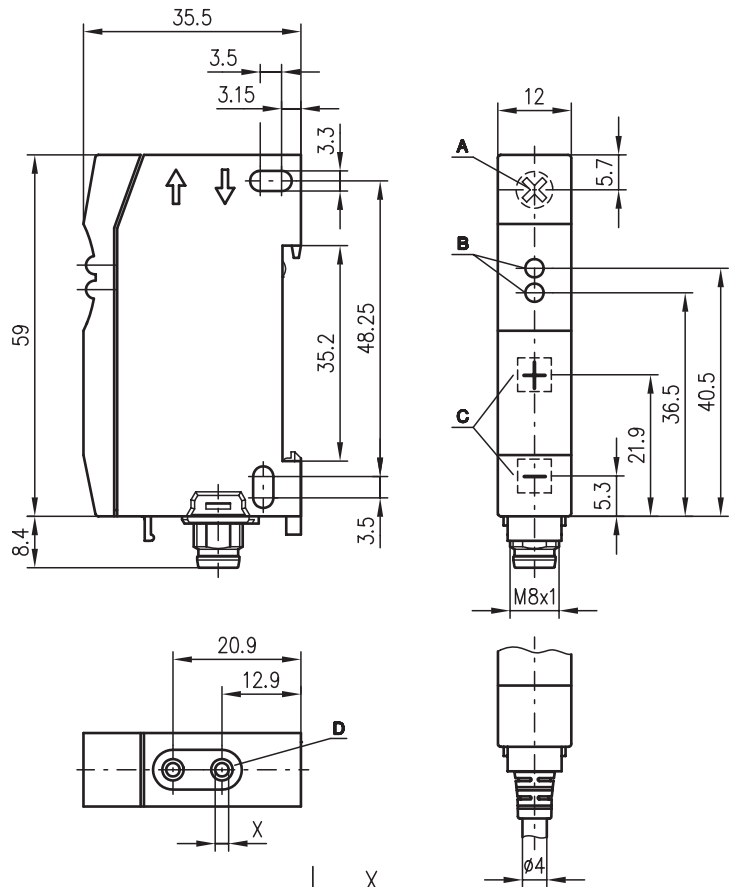


LVSR 325

Fibre optic cable control devices



Dimensioned drawing



	X
LVSR 325K/P-201	∅ 2,2
LVSR 325K/N-201	∅ 2,2
LVSR 325K/P-202-S8	∅ 2,2
LVSR 325K/N-202-S8	∅ 2,2
LVSR 325K/P-401	∅ 4
LVSR 325K/P-402-S8	∅ 4

- A Fibre optic cable fixing screw
- B Indicator diodes
- C Sensitivity adjustment
- D Fibre optic cable input

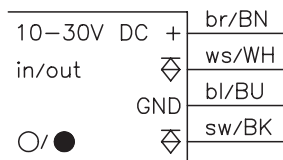
300mm
200mm
80mm

10 - 30 V
DC
GLL **KLL**

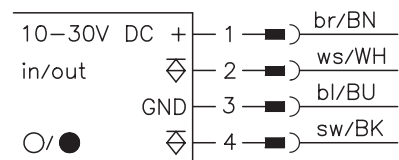
- Easy calibration with "Teach-in" for optimum sensitivity adjustment
- Warning output autoControl for increased availability
- Control input for activation or for remote calibration
- Configuration via optical interface with PC (e.g. time delay)
- Indicator diode for switching state, performance reserve and readiness
- High switching frequency for detection of fast events
- Mounting holes or top hat rail mounting for universal and fast installation

Electrical connection

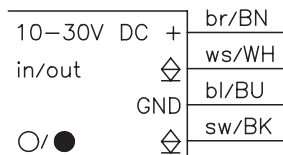
LVSR 325K/P-201
LVSR 325K/P-401



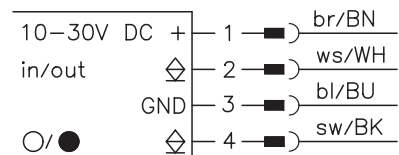
LVSR 325K/P-202-S8
LVSR 325K/P-402-S8



LVSR 325K/N-201



LVSR 325K/N-202-S8



Accessories:

(available separately)

- Glass fibre optic cable
- Plastic fibre optic cable
- M8 connectors (KD ...)
- Configuration cable KB 325-2000-4
- Mounting device
- Configuration software LVSR 325-PS

We reserve the right to make changes • LSG_e07e.fm





Specifications

Optical data	Throughbeam operation	Scanner operation
Operating range/scanning range ¹⁾	300mm (glass FOC) 200mm (plastic FOC) LED (modulated light)	80mm (glass FOC) 80mm (plastic FOC)
Light source	LED (modulated light)	
Wavelength	660nm (red light)	
Timing		
Switching frequency	1500Hz	
Response time	0.33ms	
Delay before start-up	≤ 300ms	
Electrical data		
Operating voltage U _B	10 ... 30VDC (incl. residual ripple)	
Residual ripple	≤ 10% of U _B	
Bias current	≤ 25mA	
Inputs/Outputs	configurable: 2 switching outputs, complementary ²⁾ switching output and warning output switching output and control input	
Signal voltage high/low	≥ (U _B -2V)/≤ 2V	
Output current	together max. 200mA	
Control input ³⁾	not active ≤ 2V/active ≥ 7V	
Sensitivity	adjustable via 2 buttons automatically per "Teach-in" (simultaneously depress both buttons) step wise per button "+" and "-"	
Display		
LED yellow	switching state	
LED red	failure display in learning mode 1.5s	
LED red flashing	remote indication at recognised key depression 65ms	
LED green	no performance reserve	
LED green flashing	ready display in learning mode	
Mechanical data		
Housing	plastic	
Weight	30g	
Connection	M8 connector, 4-pin cable 2m, 4x0.2mm ² screw connection for: plastic fibre optic cable Ø2.2mm glass fibre optic cable Ø4mm	
Fibre optic cable connection		
Environmental data		
Ambient temp. (operation/storage)	-20°C ... +70°C/-40°C ... +75°C	
Protective circuit ⁴⁾	2, 3	
Protection class	IP 65	

1) Operating range/scanning range: recommended range/scanning range with performance reserve

2) Factory setting

3) Internal resistance 20kOhm, delay before start-up/turn-off ≤ 3ms

4) 2=polarity reversal protection, 3=short-circuit protection for all outputs

Order guide

	Designation	Part No.
Glass fibre optic cable Ø4mm and PNP output		
M8 connector	LVSr 325K/P-402-S8	500 81301
Cable	LVSr 325K/P-401	500 81300
Plastic fibre optic cable Ø2.2mm and PNP output		
M8 connector	LVSr 325K/P-202-S8	500 81298
Cable	LVSr 325K/P-201	500 81297
Plastic fibre optic cable Ø2.2mm and NPN output		
M8 connector	LVSr 325K/N-202-S8	500 33579
Cable	LVSr 325K/N-201	500 33581
Configuration cable	KB 325-2000-4	500 81303
Configuration software	LVSr 325-PS	500 82090

Remarks

- **Unlock keyboard**
The "automatic keyboard lock" is active in the default settings. Press both buttons for 5s to unlock it (until green LED flashes once). 4 min. after the last button action, the keyboard locks itself.
- **Manual adjustment**
Bring the object to be detected in the desired distance into the detection range. Using the buttons "+" and "-" the sensitivity of the sensor can be adjusted (red LED flashes any time a button is pressed, yellow LED displays switching state). Buttons are equipped with a repeat-function (depressing of button repeats itself automatically).
Note:
The limit of the keyboard potentiometer is reached if the red LED does not flash while pressing a button.
- **Teach-in event**
Press both buttons "+" and "-" simultaneously (approx. 1s) until the lit red LED goes off. The sensor is now in "learning mode" and displays this through flashing (2Hz) of the green LED. Bring the object to be detected at the desired distance into the detection range or move the object through the detection range at the desired distance. The green LED shortly flashes at a higher frequency (4Hz). As soon as the LED flashes with the initial frequency, the learning mode is finished. To finish the teach-in press one of the two buttons "+" or "-". The sensor switches the green LED to permanent light and displays the detection state with the yellow LED.